

MODEL: _____ PROJECT: _____ ITEM #: _____ QTY: _____

PRODUCT IMAGE



DB60L-SSS-LR shown with optional casters

AVAILABLE IN 36", 60", 72", & 84" SIZES

OPTIONAL ACCESSORIES

- **BS-100** Four 6" Stainless Steel Legs
- **BS-101** Six 6" Stainless Steel Legs (72" and 84" models)
- **BS-102** Four 4" Stainless Steel Legs
- **BS-103** Six 4" Stainless Steel Legs (72" and 84")
- **BS-106** Left Side Stainless Steel Kick Plate
- **BS-107** Right Side Stainless Steel Kick Plate
- **BC-130** Four 1" Ultra Low profile Casters with Brakes
- **BC-131** Six 1" Ultra Low profile Casters with Brakes (72" and 84")
- **BC-132** Four 2" Low profile Casters with Brakes
- **BC-133** Six 2" Low profile Casters with Brakes (72" and 84")
- **BC-134** Four 3" Casters with Brakes
- **BC-135** Six 3" Casters with Brakes (72" and 84")
- **BS-136** 36" Stainless Steel Front Kick Plate
- **BS-160** 60" Stainless Steel Front Kick Plate
- **BS-172** 72" Stainless Steel Front Kick Plate
- **BS-184** 84" Stainless Steel Front Kick Plate

STANDARD FEATURES

- **Electrical**
115 V, 1 Phase, 60 Hz. Furnished with 8'-0" plug-in cord, which exits left or right rear of cooler. NEMA 5-15P Plug Configuration. Dedicated 15 Amp circuit recommended
1 Door (36"): 3.6 Full Load Amps, 1/5 HP
2 Door (60"): 6.0 Full Load Amps, 1/4 HP
2 Door (72"): 6.0 Full Load Amps, 1/4 HP
3 Door (84"): 9.0 Full Load Amps, 1/3 HP
 - **Refrigeration**
Self-contained 134A Refrigerant. 30°F-40°F operating range
Digital Thermostat on front grille
 - **Keg Capacity**

	36"	60"	72"	84"
1/4 Keg:	1	2	3	4
1/2 Keg:	1	2	3	4
 - **Interior**
20 gauge galvanized walls with stainless steel floor.
One stainless steel floor rack per door.
Door Opening: 29 ¹¹/₁₆" high x 19 ¹⁵/₁₆" wide
 - **Exterior**
Sides: 20 gauge stainless steel
Front: 20 gauge stainless steel or black vinyl
Back: 20 gauge galvanized steel
Top: 1" stainless steel top with 16" x 8" drainer (standard)
 - **Number of Faucets**

1 Door (36"):	1
2 Door (60"):	2
2 Door (72"):	3
3 Door (84"):	4
 - **Insulation**
2" thick foamed-in-place polyurethane
 - **Plumbing**
No drain connection required.
Condensate evaporator pan included
1/2" drain line provided from beer drainer exits bottom front of refrigeration compartment
- * This equipment is intended for the storage and display of non-potentially-hazardous bottle or canned products only **



APPROVED BY:

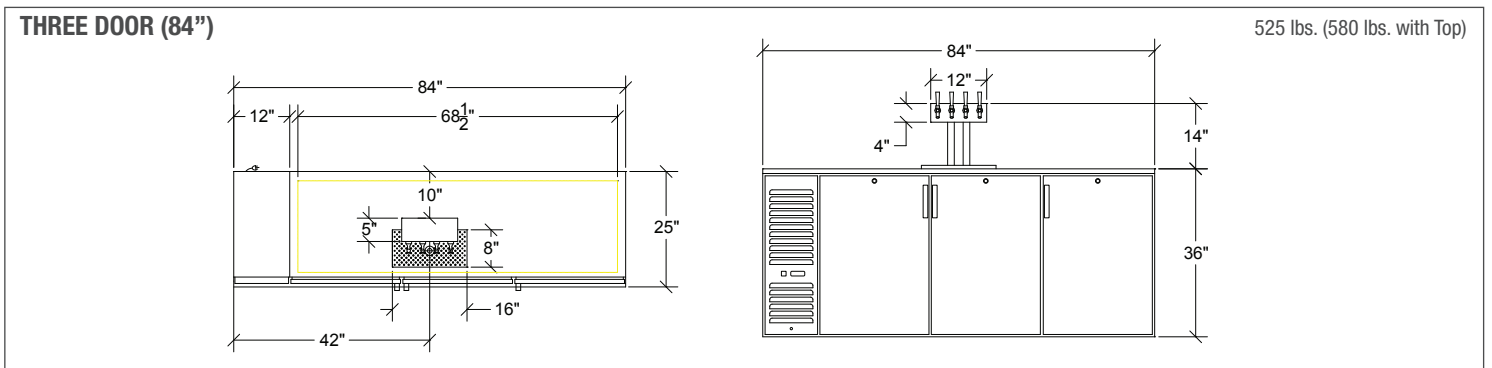
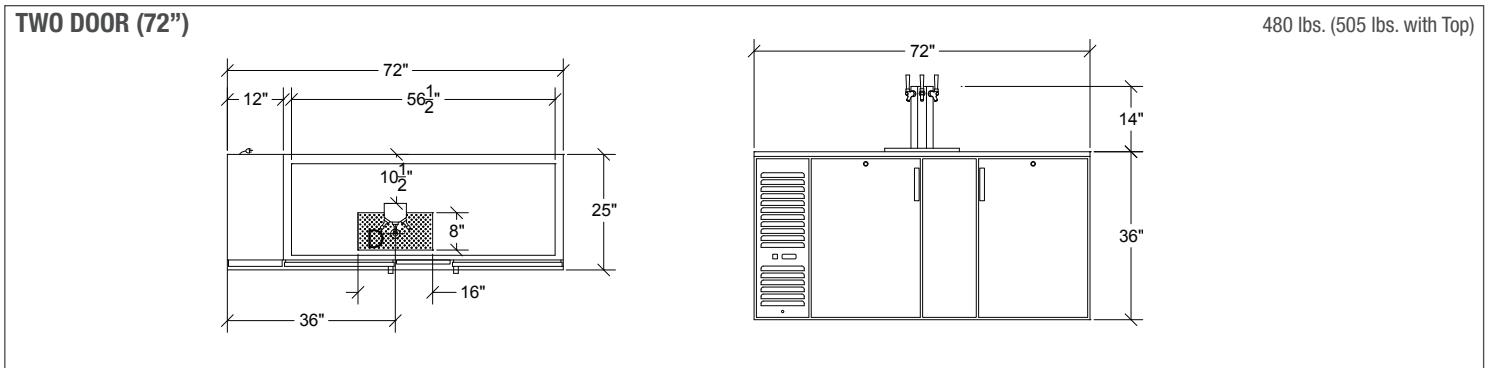
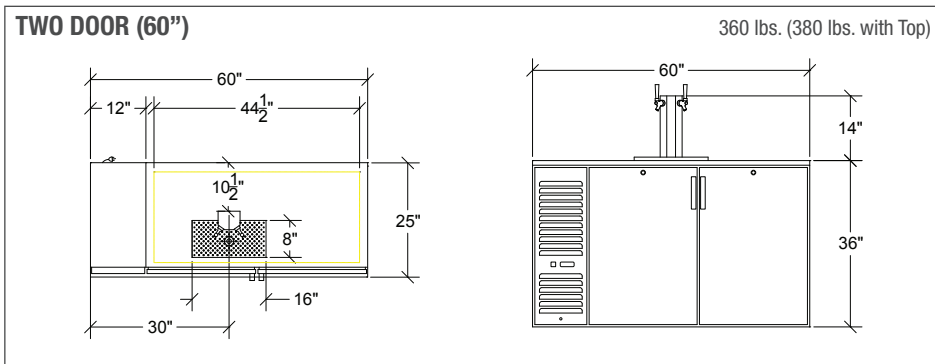
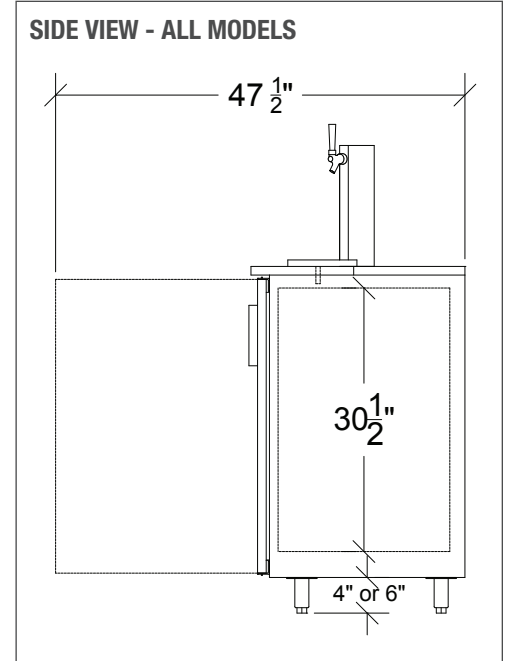
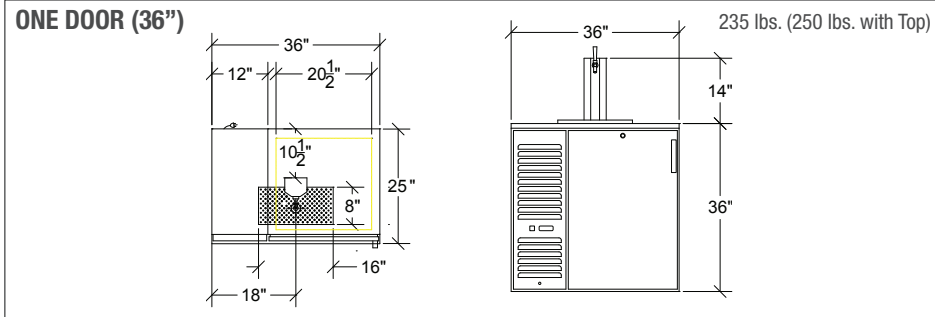
CERTIFICATIONS:

Due to our commitment to continued product improvement, specifications are subject to change without notice.

REFRIGERATION

SELF-CONTAINED DRAFT BEER COOLERS

MODEL: _____ PROJECT: _____ ITEM #: _____ QTY: _____



CERTIFICATIONS:

Printed in the USA

APPROVED BY:

Due to our commitment to continued product improvement, specifications are subject to change without notice.

Krowne Metal Corporation

100 Haul Rd. Wayne, NJ 07470 • Toll Free: (800) 631-0442 • Fax: (973) 872-1129
 sales@krowne.com • www.krowne.com • www.facebook.com/KrowneMetal • www.twitter.com/KrowneMetal

Note: Optional casters raise height 1" higher than wheel size

Note: Optional 4" or 6" legs available

Rev. 08/2015
 No. 1.9