

ONE AND TWO WARMER POUROVER BREWERS

Project	Date	Models	CPO-1P-15A, CPO-2P-15A	Item#	Quantity
---------	------	--------	------------------------	-------	----------



model CPO-2P-15A



model CPO-1P-15A

Features

- Solid and dependable, meet the CPO portable one and two warmer pourover family of brewers.
- Stand-alone, temperature-controlled powerhouses brew directly into decanters.
- CPO-2P-15A model has additional warmer to keep extra decanter of coffee ready to be served.
- All stainless steel construction.
- Completely portable unit.
- Requires no plumbing.
- 1.2 gallon (4.5 L) tank capacity.
- Compact 8.1" (21 cm) wide.

Click here to buy now!

Central
 RESTAURANT PRODUCTS

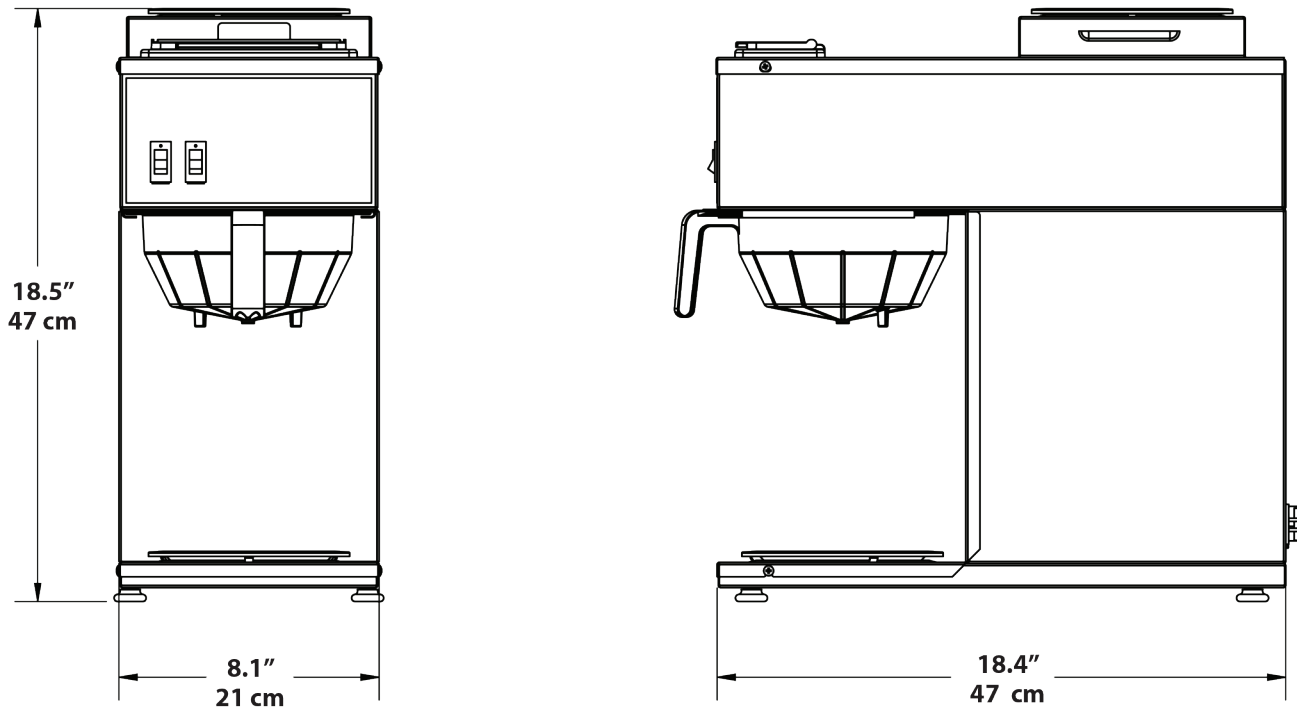
1-866-285-1252



ELECTRICAL

Models & Dimensions

One and Two Warmer Pourover Brewers



model CPO-2P-15A represented

Specifications

Model	Description	Electrical	Product Dimensions (H x W x D)	Ship Dimensions (H x W x D)	Ship Weight
CPO-1P-15A (0002-10001)	Warmers: 1 bottom.	120V / 15A 1500 W / 1 Ph	17.5" x 8.1" x 18.4" (44 cm x 21 cm x 47 cm)	20.75" x 12" x 23.5" (53 cm x 30 cm x 60 cm)	28 lbs. (12.7 kg)
CPO-2P-15A (0002-20001)	Warmers: 2 total: 1 top and 1 bottom.	120V / 15A 1600 W / 1 Ph	18.5" x 8.1" x 18.4" (47 cm x 21 cm x 47 cm)	20.75" x 12" x 23.5" (53 cm x 30 cm x 60 cm)	29 lbs. (13.2 kg)

Note: Decanters sold separately. Accessories available separately.

Electrical: NEMA 5-15P or 5-20P line cord included.



GMCW™ 4003 Collins Lane, Louisville, KY 40245 USA

Tel: +1.502.425.4776 / 800.695.4500 (USA & Canada only) • Fax: +1.502.425.4664 • www.gmcw.com • Email: info@gmcw.com