

CRATHCO® CLASSIC BUBBLERS®

MINI QUAD

Project

Date

Models

E49-3
E49-4
E495-3
E495-4
E496-3
E496-4

Item #

Quantity



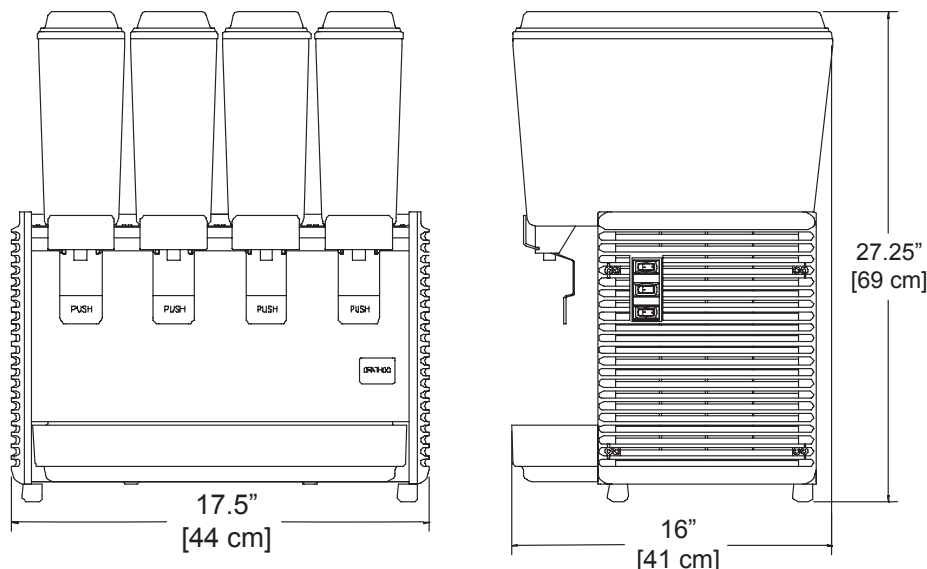
Model E49-3

Features

- Generous yet compact pre-mix dispenser with (4) 2.4 gallon (9.1 L) bowls.
- Two-piece, stainless steel, dripless dispense valves are sanitary and easy to use and maintain.
- Bowls have easy-to-read measuring marks and are separate to allow bowl cleaning and flavor changes without total system shut-down.
- Super-strong polycarbonate bowls and covers for lasting durability and a simple clean-up.
- Cup height up to 8" (20 cm).
- Unique evaporator and high efficiency pump cools faster and more efficiently for quick start-up.
- Along with spray circulation, agitators are included with each unit for fresh juices, coffees, or tea.
- Superior engineering allows full beverage cooling to the dispense point, and right down to the last drink.
- Temperature range from 35 - 41°F (1.1 - 5° C).
- Large capacity drip pan.
- 1/6 hp refrigeration.

CRATHCO® CLASSIC BUBBLERS®

MINI QUAD



Model E49 represented

MODEL	DESCRIPTION	ELECTRICAL	PRODUCT DIMENSIONS (H X W X D)	SHIPPING DIMENSIONS (H X W X D)
E49-3* Base: (5538) Bowl: (5115)	4 Bowls: Stainless steel side panels and drip tray	115V / 0.72 kW 6A / 1 Ph	27.25" x 17.5" x 16" (69 cm x 44 cm x 41 cm)	Base: 14" x 24" x 16" (36 cm x 61 cm x 41 cm) Bowl: 20" x 26" x 10" (50 cm x 66 cm x 25 cm)
E49-4* Base: (5542) Bowl: (5125)	4 Bowls: Plastic side panels and drip tray	115V / 0.72 kW 6A / 1 Ph	27.25" x 17.5" x 16" (69 cm x 44 cm x 41 cm)	Base: 14" x 24" x 16" (36 cm x 61 cm x 41 cm) Bowl: 20" x 26" x 10" (50 cm x 66 cm x 25 cm)
E495-3 Base: (5605) Bowl: (5115)	4 Bowls: Stainless steel side panels and drip tray	220-240V / 50 Hz 3A	27.25" x 17.5" x 16" (69 cm x 44 cm x 41 cm)	Base: 14" x 24" x 16" (36 cm x 61 cm x 41 cm) Bowl: 20" x 26" x 10" (50 cm x 66 cm x 25 cm)
E495-4 Base: (5606) Bowl: (5125)	4 Bowls: Plastic side panels and drip tray	220-240V / 50 Hz 3A	27.25" x 17.5" x 16" (69 cm x 44 cm x 41 cm)	Base: 14" x 24" x 16" (36 cm x 61 cm x 41 cm) Bowl: 20" x 26" x 10" (50 cm x 66 cm x 25 cm)
E496-3 Base: (6952) Bowl: (5115)	4 Bowls: Stainless steel side panels and drip tray	220-240V / 60 Hz 3.6A	27.25" x 17.5" x 16" (69 cm x 44 cm x 41 cm)	Base: 14" x 24" x 16" (36 cm x 61 cm x 41 cm) Bowl: 20" x 26" x 10" (50 cm x 66 cm x 25 cm)
E496-4 Base: (5540) Bowl: (5125)	4 Bowls: Plastic side panels and drip tray	220-240V / 60 Hz 3.6A	27.25" x 17.5" x 16" (69 cm x 44 cm x 41 cm)	Base: 14" x 24" x 16" (36 cm x 61 cm x 41 cm) Bowl: 20" x 26" x 10" (50 cm x 66 cm x 25 cm)

Ship Weight (in two boxes): Total: 91 lbs. (41.3 kg)

Base: 67 lbs. (30.4 kg) **Bowl:** 24 lbs. (10.9 kg)

***Electrical:** NEMA 5-15P line cord included.

Refrigeration: 134A

OPTIONS

Valve Cap (2039) - Improves sealing of valve when using pulpy product.

Valve Locking Box (2502) - Secures the valve from dispensing during off-hours - not to be used with non-contact handle.

Large Milk Fat Impeller (1161M) - (blue) Use with dairy products, and/or products with heavy pulp.

Standard MCX Mag Drive Impellers (3587) - (black) Use with juices and water.

MCX Mag Drive Low Foam Impellers (3709) - (black with blue center) Use with products that create foam, such as teas and lemonades.

Security Kit (5353) - Use with E49 models.

Grindmaster™ 4003 Collins Lane, Louisville, KY 40245 USA

Tel: +1.502.425.4776 / 800.695.4500 (USA & Canada only) • Fax: +1.502.425.4664 • www.grindmaster.com

© 2020 Grindmaster™ PRINTED IN USA | 1018 Form # CC-240-11