



890 SERIES GRINDER

Item#

Project

Date

Models: 890BS, 890T

Slimline Retail Coffee Grinder



Model 890BS

Features

The model 890 provides faster grinding and an accurate grind profile thanks to its European designed precision burrs. This space saving grinder offers a wide range of grind selections to accommodate all applications. Powerful and dependable, the 890 is designed for years of superior performance.

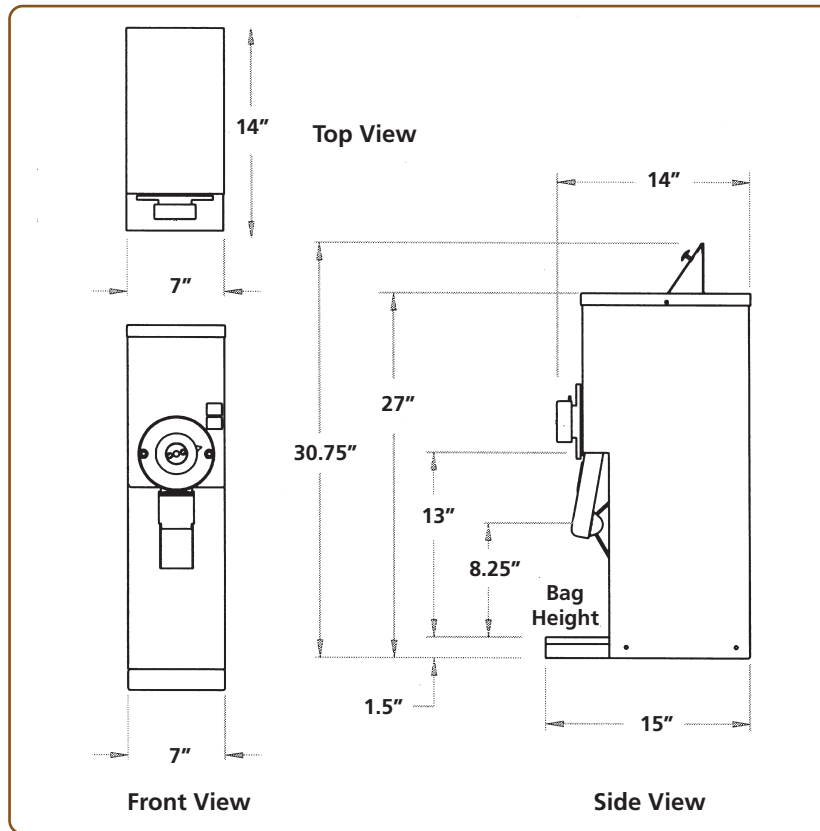
890 Series Standard Features:

- Fast grind speed – 2.5 lbs. (1.1kg) per minute
- Coarse to turkish grind selection
- Space saving design – only 7" (18cm) wide
- 3 lb. (1.35kg) steep slope hopper – designed for positive bean flow
- Large 8.25" (21cm) bag height – accommodates all bag sizes
- Service friendly circuit breaker – located on front of the machine
- Powerful 1/2 hp motor
- Efficient chaff spring with clean-out feature



Models & Dimensions

890BS & 890T Slimline Retail Coffee Grinder



Specifications

Model	Electrical	Motor	Listings	Hopper Capacity	Bag Height	Dimensions (H x W x D)	Ship Dimensions (H x W x D)	Ship Weight
890BS	120V, 920W, 8 Amps	Heavy-Duty, 1/2 HP	UL, USL, CNL, ETL Sanitation	One 3 lb. hopper (1.35kg)	Min: 8" Max: 11.5"	27" x 7" x 15" (69 cm x 18 cm x 38 cm)	31" x 10.35" x 19" (85 cm x 32 cm x 48 cm)	53 lbs. (24 kg)
890T	120V, 920W, 8 Amps	Heavy-Duty, 1/2 HP	UL, USL, CNL	One 5 lb. hopper (2.3 kg)	Min: 8" Max: 11.5"	31.25" x 7.5 x 14" (79.5 cm x 45.75 cm x 35.5 cm)	34.5" x 10.75" x 19.25" (88 cm x 28 cm x 49 cm)	57 lbs. (26 kg)

Note: Model 890T must be bolted to the counter. Contact Grindmaster-Cecilware™ for more information. Specifications subject to change without notice.



GRINDMASTER-CECILWARE™ 4003 Collins Lane, Louisville, KY 40245 USA

Tel: +1.502.425.4776 / 800.695.4500 (USA & Canada only) • Fax: +1.502.425.4664 • www.gmcw.com • Email: info@gmcw.com