

# from **mira** espresso

**UNIC** MODEL Mira  
1 GROUP HIGH PROFILE

## installation checklist

PRODUCT CODE : MIRAHF



### Quick Reference Specifications

Dimensions: 26"(H)X 22"(L)X 14"(W)

Weight: 88 lbs (full)

Electrical Requirements: Volts: 115/Watts: 1700/Circuit Amps: 20

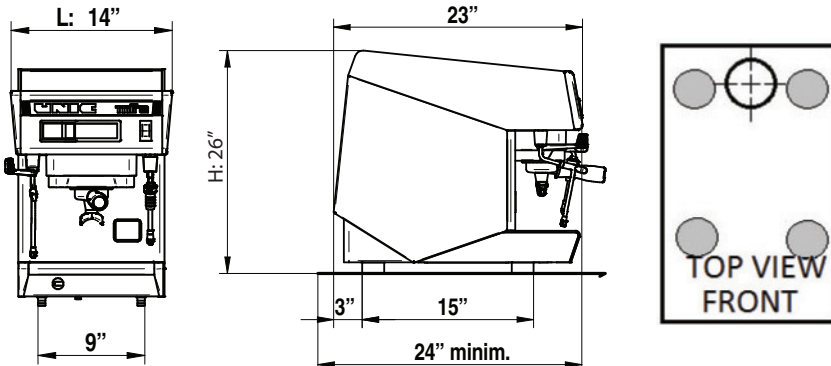
Plumbing Requirements: Flow: 30GPH (minimum) Pressure: 20psi

(minimum) Hardness: 3 GPG (maximum) Fitting: 1/2" NPT Male w/shut off

Drainage Requirements: Open gravity drain of 1.25" ID (min) within 4 feet of machine.

The following information will assist you in preparing your location for the installation of your equipment. Please make sure everything is prepared to these specifications prior to scheduling your installation. Once everything is complete, check the appropriate boxes and sign the bottom of the form.

COUNTER SPACE REQUIREMENTS:  **CONFIRMED** – 2.5" ACCESS HOLE IS IN PLACE



**PLEASE NOTE:** There are 3 inch leg extensions shipped with the machine, but not installed. Their use is optional, but highly recommended for ease of cleaning under the unit.

⊕ = 2.5" HOLE IN COUNTER TOP FOR ELECTRICAL AND PLUMBING CONNECTIONS

⊞ = USABLE AREA FOR ACCESS HOLE

WATER REQUIREMENTS :  **CONFIRMED** - WATER HARDNESS LEVEL \_\_\_\_\_ GPG



\*Machine must be supplied with a minimum of 30 Gallons per hour @ 20 PSI.

\*Example of appropriate supply fitting, see example at left - 1/2" NPT Male w/shut off.

\*If water hardness levels exceed 3 GPG (Grains per Gallon) a water softener **MUST** be installed.

Exceeding these levels will void the manufacturer's warranty. (Check appropriate box below)

- I have tested the water hardness and it is 3 GPG or less (see above).
- I already have a suitable water softener and its output is 3 GPG or less (see above).
- I have tested the water hardness level and it is written above. Please supply me with the appropriate water softener at time of installation.

ELECTRICAL REQUIREMENTS:  **CONFIRMED**

Dedicated 20 AMP Plug within 4 feet of installation location.

**PLEASE NOTE:** A proper 20 AMP plug will be configured as shown on the RIGHT. Plugs with only vertical inputs are only rated for 15 AMPs and will not work.



DRAINAGE REQUIREMENTS:  **CONFIRMED**

Access to open gravity drain no smaller than 1.25" ID (Inner Diameter). Drain **MUST** be within 4 feet of the machine for proper drainage.

By signing below, I am confirming that all installation requirements have been met. I also understand that if all the requirements have not been met, I may be subject to additional installation and travel charges beyond the original estimate.

Signature \_\_\_\_\_ Printed Name \_\_\_\_\_ Date \_\_\_\_\_

