

# VICTORY<sup>®</sup> ULTRASPEC

PROJECT: \_\_\_\_\_  
 ITEM # \_\_\_\_\_ QTY: \_\_\_\_\_  
 MODEL # \_\_\_\_\_  
 AIA # \_\_\_\_\_ SIS # \_\_\_\_\_

EXTRA WIDE DUAL TEMP SOLID HALF-DOOR REACH-IN REFRIGERATOR/FREEZER

## EXTRA WIDE DUAL TEMP SOLID HALF-DOOR REACH-IN REFRIGERATOR/FREEZER

### RFSA-1D-S1-EW-HD-HC



#### CABINET CONSTRUCTION

- Stainless Steel Exterior
- Aluminum Interior
- Refrigerator Is On The Top And Freezer Is On The Bottom
- Stay-Open Door Feature For Easy Product Loading
- 20 Gauge Stainless Steel Door
- Magnetic Door Switch Automatically Activates Interior LED Light
- Heavy-Duty Cylinder Locks
- Stainless Steel Interior Door Liner
- Insulated Partition Wall Separates Compartments
- One Piece, Snap-In Magnetic Door Gaskets
- Low Profile Vertical Door Handles
- Hinged Front Shroud
- Energy Saving Thermal Breaker
- Stainless Steel Breaker Caps
- Silver Freeze Wire Shelves
- 6" High Adjustable Stainless Steel Legs
- 8' Cord And Plug (see electrical data for details)

#### FEATURES

- Full Electronic Control With Touchpoint Interface
- Expansion Valve Technology
- Manager's Lockout Feature
- Anti-Condensate Door Perimeter Heaters
- Variable Speed Compressor Technology

#### REFRIGERATION

- Refrigeration System Uses R-290 Refrigerant To Comply With All Environmental Concerns
- Adaptive Defrost For Reduced Energy Consumption And More Consistent Product Temperatures
- Epoxy Coated Evaporator Coil, Located Out Of The Food Zone
- Refrigerator Capable Of Maintaining Product Temperature 36°F To 38°F
- Freezer Capable Of Maintaining Product Temperature -10°F



- ▶ 3 Year Parts & Labor Warranty Plus An Additional 4 Year Compressor Warranty
- ▶ Exclusive 2 Year Warranty On Magnetic Door Gaskets
- ▶ Lifetime Warranty On Handles & Hinges (Parts Only)



Please verify qualifying units by visiting:  
[www.energystar.gov/cfs](http://www.energystar.gov/cfs)

#### OPTIONS & ACCESSORIES

- |                              |  |   |
|------------------------------|--|---|
| • Secure-Temp™ Technology    | • Additional Shelves                       | • Door Swing Orientation (at time of order)   |
| • Stainless Steel Case Back  | • Heat Shield (left, right)                | • Refrigerator FlexTemp Models Maintain Between 28°F And 38°F                                 |
| • Exterior Door Laminate     | • 6" Casters Or 6" Seismic Legs            | • Freezer FlexTemp Models Maintain Between 0°F And 20°F                                       |
| • Glass Door Models          | • Optional Top Freezer/Bottom Refrigerator | • Correctional Package  |
| • Stainless Steel Kick Plate | • Tray Slides                              | • Remote Models* (6" legs only)<br>(refrigerant must be specified at time of order, see note) |

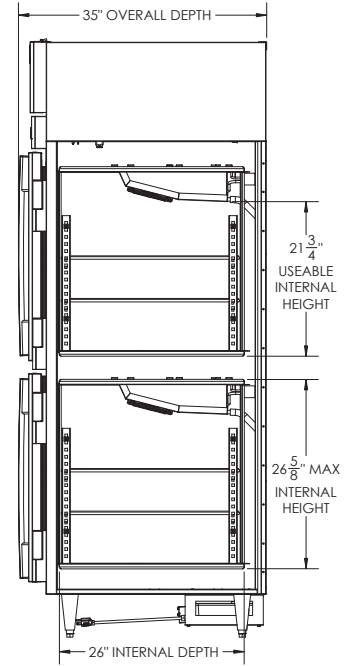
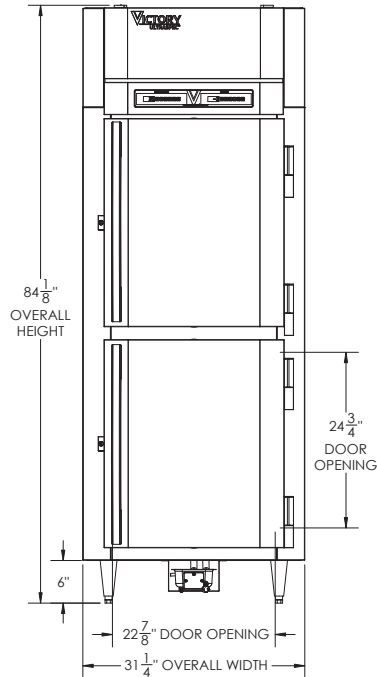
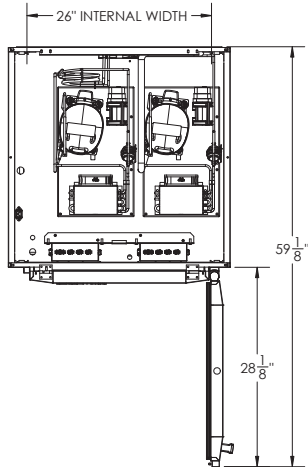
3779 Champion Blvd, Winston-Salem, NC 27105

ph: (888) 845-9800 | fax: (800) 253-5168

Sales@VictoryRefrigeration.com | VictoryRefrigeration.com

Rev. 5/22/20 Printed in U.S.A.

APPROVAL: \_\_\_\_\_ DATE: \_\_\_\_\_



We reserve the right to change specifications and product design without notice. Such revisions do not entitle the buyer to corresponding changes, improvements, additions or replacements for previously purchased equipment. Dimensional tolerances +/- 1/4". Metric dimensions (MM)

12" Top and 3" rear clearance is required

CHARACTERISTICS		ELECTRICAL DATA		SHIPPING DETAILS	
Net Capacity	R 10.2 - F 10.2	Cabinet Voltage	115/60/1	Height	87"
Width, Overall (in.)	31 1/4"	Total Amperes	R 3.0 - F 7.0	Width	39"
Depth, Overall (with handle)	35"	NEMA Plug* (8' cord)	(2) 5-15P	Depth	41"
Height Overall (6" legs)	84 1/8"	REFRIGERATION DATA		Crated Weight	462 lbs
Depth, Door Open 90°	59 1/8"	Condensing Unit Size, HP*	R 1/6 - F 1/2	*NOTE: Remote units are field wired and come with 6" legs. Refrigerant must be specified at time of order.	
Door Opening (in.)	22 7/8" x 24 3/4"	Refrigerant*	R-290		
No. Of Doors/Shelves	2/4	Capacity (BTU/HR) (100°F/20°F)	R 1094 - F 1865		

3779 Champion Blvd, Winston-Salem, NC 27105 | ph: (888) 845-9800 | fax: (800) 253-5168

Sales@VictoryRefrigeration.com | VictoryRefrigeration.com

Rev. 5/22/20 Printed in U.S.A.

an Ali Group Company



The Spirit of Excellence