

# **WARING**<sup>®</sup> **COMMERCIAL**

**SIDE BY SIDE, SINGLE AND DOUBLE WAFFLE MAKERS  
WAFLELAS/GOFRERAS INDIVIDUALES Y DOBLES LADO A LADO  
GAUFRIERS INDIVIDUELS ET DOUBLES CÔTE À CÔTE**



**WW250X & WW250BX**



**WW300BX**

For your safety and continued enjoyment of this product,  
always read the instruction book carefully before using.

Para su seguridad y para disfrutar plenamente de este producto, siempre lea  
cuidadosamente las instrucciones antes de usarlo.

Afin que votre appareil vous procure en toute sécurité beaucoup de satisfaction,  
lire attentivement le mode d'emploi avant de l'utiliser.

# CONTENTS

Important Safeguards .....	1
Special Features.....	4
Instructions for Use .....	6
Tips .....	7
Cleaning and Maintenance.....	8
Warranty.....	8

## IMPORTANT SAFEGUARDS

When using electrical appliances, basic safety precautions should always be followed, including the following:

- 1. READ ALL INSTRUCTIONS.**
- Unplug from outlet when not in use and before cleaning. Allow to cool before putting on or taking off parts, and before cleaning appliance.**
- Do not touch hot surfaces. Use handles and knobs.
- To protect against fire, electric shock, and injury to persons, **DO NOT IMMERSE CORD, PLUG, OR UNIT** in water or other liquids.
- This appliance is not intended for use by persons (including children) with reduced physical, sensory or mental capabilities, or lack of experience and knowledge, unless they have been given supervision or instruction concerning use of the appliance by a person responsible for their safety.  
Children should be supervised to ensure that they do not play with the appliance.
- Do not operate any appliance with a damaged cord or plug or after the appliance malfunctions or has been damaged in any manner. Return appliance to the nearest Waring® Authorized Service Facility for examination, repair, or adjustment.**
- The use of accessory attachments not recommended by Waring may result in fire, electrical shock, or injury to persons.
- Do not use outdoors, or use for other than intended use.
- Do not let power cord hang over edge of table or counter, or touch hot surfaces.
- Do not place on or near a hot gas or electric burner, or in a heated oven.

- Turn knob to setting #1 and unplug the unit when finished baking waffle cones.
- Extreme caution must be used when moving an appliance containing hot oil or other hot liquids.
- Always begin by plugging appliance into wall outlet. To disconnect, turn control to setting 1, switch toggle to off position, then remove plug from wall outlet.
- WARNING: TO REDUCE THE RISK OF FIRE OR ELECTRIC SHOCK, REPAIRS SHOULD BE MADE ONLY BY AUTHORIZED PERSONNEL. DO NOT REMOVE THE BASE PANEL. NO USER-SERVICEABLE PARTS ARE INSIDE.**

## SAVE THESE INSTRUCTIONS APPROVED FOR COMMERCIAL USE

Model	Voltage	Power	Plug Type
WW250X	120V	2400W	5-20P Ⓢ
WW250BX	208V	2700W	6-15P Ⓢ
WW300BX	208V	2800W	6-15P Ⓢ

For your protection, this appliance is supplied with a molded 3-prong grounding-type plug and should be used in combination with a properly connected grounding-type outlet. Use of any other voltage or altering of the plug or cord may damage the unit, will void the warranty and may cause injury.

**WARNING – FOR USE ON INDIVIDUAL BRANCH CIRCUIT ONLY.**

**Caution:** Before using an adapter, it must be determined that the outlet cover plate screw is properly grounded. If in doubt, consult a licensed electrician. Never use an adapter unless you are sure it is properly grounded.

**NOTE:** Use of an adapter is not permitted in Canada and Europe.

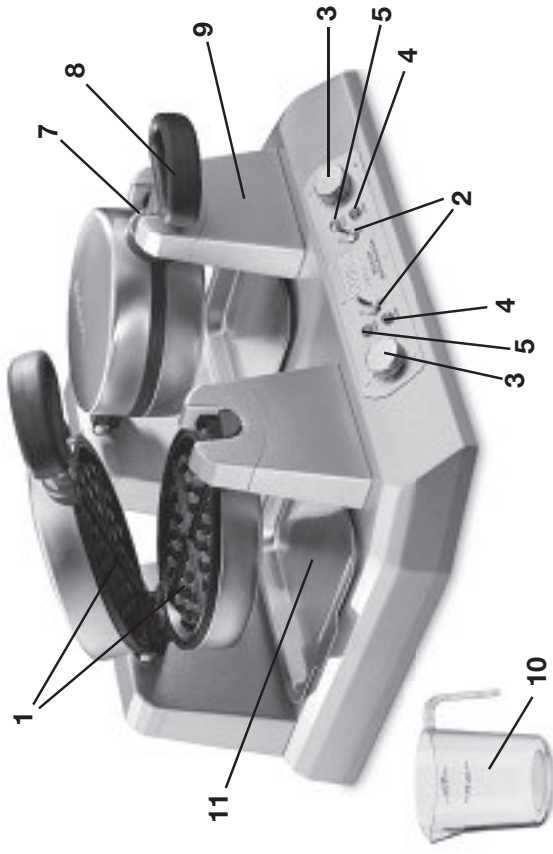
## EXTENSION CORDS

Use only 3-wire extension cords that have 3-prong grounding-type plugs and 3-pole cord connectors that accept the plug from the appliance. Use only extension cords that are intended for indoor use. Use only extension cords having an electrical rating not less than the rating of the appliance. Do not use damaged extension cords. Examine extension cord before using and replace if damaged. Do not abuse extension cord and do not yank on any cord to disconnect. Keep cord away from heat and sharp edges.

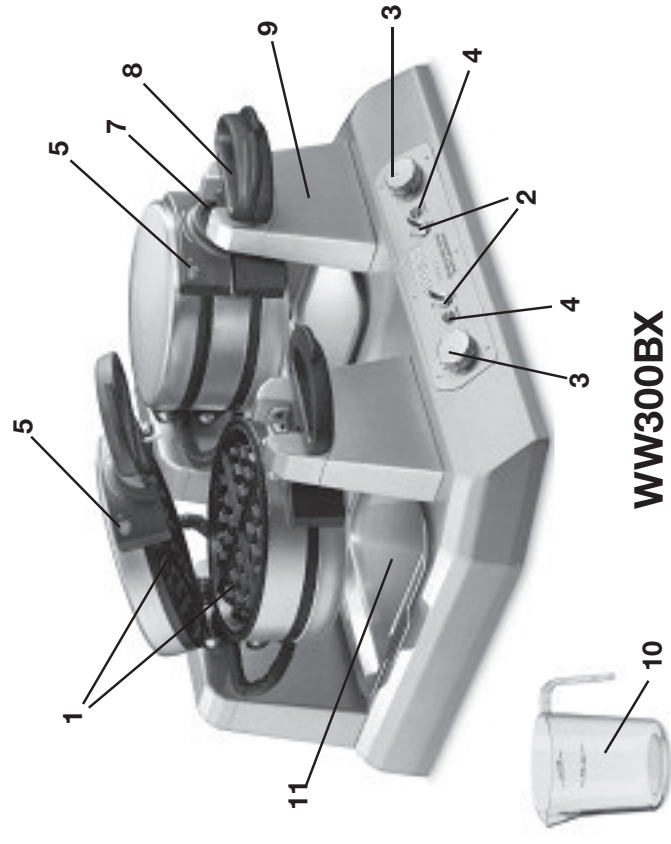
## SPECIAL FEATURES

- 1. Deep 1" Waffle Grids**
- 2. Power Switch**
- 3. Browning Control Dial**  
Adjustable for different batters and personal preference.
- 4. Power Indicator Light**  
Red light illuminates when waffle maker is on and heating up.
- 5. Indicator Lights** Green light illuminates when waffle maker is ready to bake.  
**WW250X & WW250BX**  
– Single: Green ready light is located on control panel  
**WW300BX (only 2 shown)**  
– Double: Green ready light is located on waffle plates
- 6. Indicator Beeps (not shown)**  
– 6 beeps indicate unit is ready to bake. After the waffle maker has been plugged into electrical outlet and turned to the ON position, the waffle maker will beep 6 times, indicating it has reached baking temperature.  
Please note: this will occur only for the first waffle of each baking session.  
– 3 beeps indicate waffle is done.
- 7. Lockdown Lid**  
– After rotating, lid will not rise as waffles bake.
- 8. Handle**
- 9. Housing**
- 10. Measuring Cup (1 supplied)**
- 11. Removable Drip Tray**

**NOTE: This Waring® Commercial Waffle Maker has been treated with a special nonstick coating. Before the first use, we suggest you season the waffle grids by brushing with cooking oil. Wipe with a paper towel or pastry brush.**



**WW250X & WW250BX**



**WW300BX**

## INSTRUCTIONS FOR USE

1. Before using your Waring® Commercial Waffle Maker for the first time, remove any dust from shipping by wiping the plates with a damp cloth. Remove all protective paper and wrapping.
2. Plug cord into 120V AC, 20 Amp (NEMA 5-20) wall outlet (for WW250X) or 208V AC wall outlet (for WW250BX & WW300BX). Each waffle unit works independently. You can use one at a time or both at the same time. Switch the toggle switch or switches to the ON position. The red light(s) will go on to signal power. The waffle unit(s) will now begin the preheating process. This should take about 3-4 minutes. Each unit will sound 6 beeps and the green indicator light(s) will go on to signal the unit is ready for baking. Season the waffle grids by spraying with cooking spray or brushing with a flavorless oil.

**For initial use, it is important that the waffle maker is preheated before seasoning with cooking spray or oil.**

**NOTE: The first time you use your waffle maker, it may have a slight odor and may smoke a bit. This is normal, and common to heating appliances.**

3. Preheat your Waring® Commercial Waffle Maker on setting #4 or preferred setting (green indicator lights will be illuminated when preheated).
4. For best results, do not open waffle maker during cooking process. Doing so will interfere with the timing mechanism. Fill measuring cup to Belgian Waffle fill line (top line on batter cup) marking or to top of measuring cup, depending on the recipe. (For loose batters, fill to the fill line; for thicker batters, fill to the top) and pour batter evenly into the center of the waffle grids. Use a heat-proof spatula to spread the batter evenly over the grids. Close the lid and rotate the unit 180° to the right.
5. When the waffle is completely baked, the waffle maker will sound 3 beeps. Baking time is determined by browning level. Choose a setting on the browning control dial. For golden brown waffles, we recommend using setting #4.
6. Once the waffle(s) are ready and the waffle maker has beeped 3 times, rotate the waffle maker 180° to the left, open the lid and remove waffle(s) by gently loosening the edges with a heat-proof plastic spatula. Never use metal utensils, as they may damage the nonstick coating.

7. For WW300BX, 1 or 2 waffles can be baked at a time on a unit. For one waffle, follow previous instructions. For two waffles at once, pour batter onto the top grid, then rotate 180°. You will now be able to open the other grid. Pour batter onto the grid and rotate another 180° in the other direction. Both waffles will now bake. There are individual green ready lights that will illuminate when each waffle is ready.

8. Always disconnect the plug from the wall outlet, once baking has been completed.

**NOTE: Thermal protection – if power is lost during operation, unplug and let cool down for 10 minutes. Plug in and continue use.**

## TIPS FOR MAKING PERFECT BELGIAN WAFFLES

We recommend setting #4 when using commercial pancake/waffle mixes.

We recommend setting #4 for Belgian waffle recipes.

If you prefer crisper, darker Belgian waffles, increase the browning control.

For evenly filled waffles, pour the batter into the center of the lower grid and spread out evenly to the edges. The entire lower grid should be filled.

For best results, we recommend using the Belgian waffle fill line (top line on batter cup) on the batter cup or use enough batter to fill the entire lower grid.

For added convenience while baking waffles, hang measuring scoop on bowl with handle hanging on outside of bowl and scoop on inside of bowl until the next baking cycle.

To measure flour, stir the flour first to aerate it, since it settles when it sits. Then spoon it into a measuring cup, leveling off the top with the back of a knife – do not pack down into measuring cup. These quick steps will help you avoid heavy waffles. Belgian waffles taste best when made to order, but baked Belgian waffles may be kept warm in a 200°F oven. Place in a baking pan or wrap in foil while in the oven. Waffles wrapped in foil may lose their crispness.

Baked waffles may be frozen. Allow to cool completely, and then place in plastic food storage bag. Use waxed paper to keep waffles separated. Reheat in an oven, toaster or toaster oven when ready to use.

## CLEANING AND MAINTENANCE

Once you have finished baking turn control knob to setting #1, and switch toggle(s) to OFF position; remove plug from electrical outlet. Leave top lid open and allow grids to cool before cleaning.

Never take your Waffle Maker apart for cleaning. Simply brush crumbs from grooves, and absorb any excess cooking oil by wiping with a dry cloth or paper towel. You may clean the grids by wiping with a damp cloth, to prevent staining and sticking from batter or oil buildup.

Be certain grids have cooled completely before cleaning. If batter adheres to plates, simply pour a little cooking oil onto the baked batter and let stand approximately 5 minutes, allowing batter to soften for easy removal.

To clean exterior, wipe with a soft dry cloth. Never use an abrasive cleanser or harsh pad. NEVER IMMERGE CORD, PLUG OR UNIT IN WATER OR OTHER LIQUID. Service

Should service on this product in USA or Canada be required at any time, call or write to:



Waring Service Center • P.O. Box 3201  
314 Ella T. Grasso Ave. • Torrington, CT 06790  
Tel. 1-800-492-7464 • FAX (860) 496-9017

or Nearest Authorized Service Center

Replacement parts for Waring Out of Warranty repairs are obtainable at the above address.

**NOTE:** If your application involves the processing of biologically active materials, any items returned for service must be sterilized before being shipped. Such items must be clearly identified as having been sterilized, both by a tag on the item itself and by a statement in the accompanying correspondence. Waring will not accept delivery of any returns unless they are so identified.

## LIMITED ONE YEAR WARRANTY (U.S. and Canada only)

Waring warrants every new COMMERCIAL PRODUCT to be free from defects in materials and workmanship for a period of one year from the date of purchase when used with foodstuffs, nonabrasive liquids (other than detergents) and nonabrasive semi-liquids, providing it has not been subject to loads in excess of the indicated rating.

Under this warranty, Waring will repair or replace any part, which, upon our examination, is defective in materials or workmanship provided the product is delivered prepaid to the Waring Service Center at 314 Ella T. Grasso Ave., Torrington, CT 06790, or any Factory Approved Service Center.

This warranty does not: a) apply to any product which has become worn, defective, damaged or broken due to use or due to repairs or servicing by other than the Waring Service Center or a Factory Approved Service Center or due to abuse, misuse, overloading or tampering; b) cover consequential damages of any kind.

The one year warranty is applicable only to appliances used in the United States and Canada. This supersedes all other express product warranty or guaranty statements. For Waring products sold outside of the U.S. and Canada, the warranty is the responsibility of the local importer or distributor.

This warranty may vary according to local regulations.

**WARNING:** This warranty is VOID if appliance is used on Direct Current (DC).

## ÍNDICE

Medidas de seguridad importantes .....	10
Características especiales .....	12
Instrucciones de uso .....	14
Consejos .....	15
Limpieza y mantenimiento.....	16
Garantía.....	17

## MEDIDAS DE SEGURIDAD IMPORTANTES

Al usar aparatos eléctricos, siempre debe tomar precauciones básicas de seguridad, incluso las siguientes:

- 1. LEA TODAS LAS INSTRUCCIONES.**
- 2. Desconecte el aparato cuando no está en uso y antes de limpiarlo. Permita que se enfríe antes de instalar/sacar piezas y antes de limpiarlo.**
- 3. No toque las superficies calientes; utilice los mangos/asas o los botones/perillas.**
- 4. Para reducir el riesgo de incendio, descarga eléctrica o heridas, NO SUMERJA EL CABLE, LA CLAVIJA NI EL APARATO EN AGUA NI EN NINGÚN OTRO LÍQUIDO.**
- 5. Los niños o las personas que carezcan de la experiencia o de los conocimientos necesarios para manipular el aparato, o aquellas cuyas capacidades físicas, sensoriales o mentales estén limitadas, no deben utilizar el aparato sin la supervisión o la dirección de una persona responsable por su seguridad. No permita que los niños jueguen con este aparato.**
- 6. No utilice este aparato si el cable o la clavija estuviesen dañados, después de que hubiese funcionado mal o que se hubiese caído o si estuviese dañado; regréselo a un centro de servicio autorizado para su revisión, reparación o ajuste.**
- 7. El uso de accesorios no recomendados por Waring presenta un riesgo de incendio, electrocución o heridas.**
- 8. No lo utilice en exteriores, ni para ningún fin que no sea el indicado.**
- 9. No permita que el cable cuelgue del borde de la encimera o de la mesa, ni que haga contacto con superficies calientes.**

- 10.** No coloque el aparato sobre o cerca de un quemador a gas o de una hornilla eléctrica caliente, ni en un horno caliente.
- 11.** Ponga el termostato en la posición "1" y desconecte el aparato después de cada uso.
- 12.** Tenga sumo cuidado al mover un aparato que contenga aceite u otros líquidos calientes.
- 13.** Siempre conecte el cable a la toma de corriente antes de encender el aparato. Siempre ponga el termostato en la posición "1" y el interruptor en la posición "OFF" antes de desconectar el aparato.
- 14. ADVERTENCIA: PARA REDUCIR EL RIESGO DE INCENDIO O DESCARGA ELÉCTRICA, LAS REPARACIONES DEBEN SER REALIZADAS POR UN TÉCNICO CALIFICADO. NO DESARME EL APARATO. ESTE APARATO NO CONTIENE NINGUNA PIEZA QUE PUEDA SER REPARADA/CAMBIADA POR EL USUARIO.**

## GUARDE ESTAS INSTRUCCIONES APROBADO PARA USO COMERCIAL

Modelo	Voltaje	Potencia	Tipo de clavija
WW250X	120 V	2400 W	5-20P Ⓢ
WW250BX	208 V	2700 W	6-15P Ⓢ
WW300BX	208 V	2800 W	6-15P Ⓢ

Para su protección, el cable de este aparato está dotado de un enchufe con puesta a tierra, el cual debe ser conectado a una toma de corriente debidamente puesta a tierra. Utilizar el aparato sobre una red de tensión inadecuada o modificar el cable o la clavija puede dañar el aparato y causar lesiones. Además, invalidará la garantía.

**ADVERTENCIA – PARA USO EN CIRCUITO DE DERIVACIÓN INDIVIDUAL SOLAMENTE.**

**Precaución:** antes de conectar el adaptador, asegúrese de que la toma de corriente esté puesta a tierra. Si no está seguro/a, comuníquese con un electricista. Nunca use un adaptador sin estar seguro/a de que la toma de corriente esté puesta a tierra.

**NOTA:** está prohibido usar un adaptador en Canadá y en Europa.

## USO DE EXTENSIONES

Use solamente extensiones con puesta a tierra. Use solamente extensiones para uso en interiores. La clasificación nominal de la extensión debe ser por lo menos igual a la del aparato. No utilice extensiones dañadas. Examine la extensión antes de usarla y reemplácela si está dañada. No jale el cable para desconectar la extensión; agárrela por la clavija. Mantenga el cable alejado de las fuentes de calor y de los objetos cortantes.

## CARACTERÍSTICAS ESPECIALES

1. **Placas de 2.5 cm de profundidad**
2. **Botón de encendido/apagado**
3. **Termostatos/Controles de temperatura**  
Ajuste la temperatura a su gusto y según la mezcla.
4. **Luces de encendido (rojas)**  
Indica que la waflera/gofrera está calentando.
5. **Luces de listo (verdes)**  
Indican que el aparato está listo.

### WW250X & WW250BX

- Individual: la luz verde está ubicada en el panel de control

### WW300BX (solo 2 ilustradas)

- Doble: la luz verde está ubicada sobre las placas

### 6. Señal sonora (no ilustrada)

- 6 pitidos indican que la unidad está lista para cocer. Una vez conectado y encendido ("ON"), el aparato emitirá 6 pitidos para indicar que ha alcanzado la temperatura de cocción (primer waffle/gofre solamente).
- 3 pitidos indican que el waffle/gofre está listo.

### 7. Cubierta con seguro

- Mantiene las placas cerradas durante la cocción.

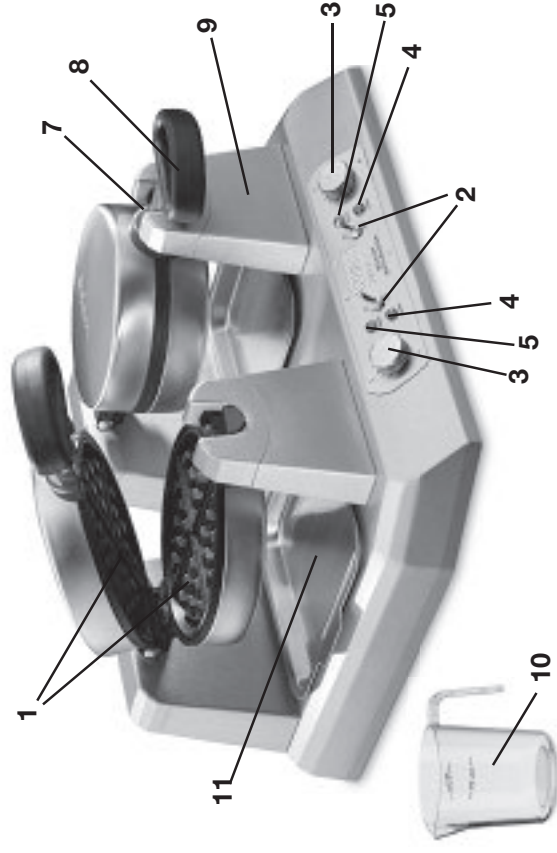
### 8. Mango

### 9. Carcasa

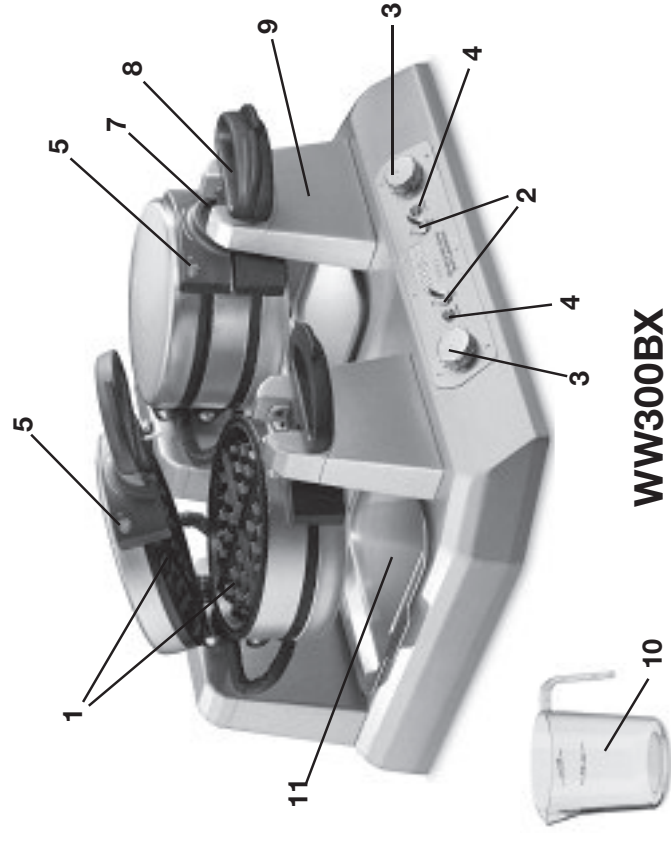
### 10. Taza medidora

### 11. Bandeja de goteo removible

**NOTA:** las placas de las wafieras/gofreras Waring® Commercial están cubiertas con un revestimiento antiadherente. Sin embargo, le aconsejamos que engrase las placas antes del primer uso, Distribuya el aceite con una toallita de papel o una brocha.



**WW250X & WW250BX**



**WW300BX**

## INSTRUCCIONES DE USO

1. Antes de usar el aparato por primera vez, limpie las placas con un paño ligeramente humedecido para quitar el polvo acumulado durante el transporte. Retire el material de embalaje y protección.
2. Conecte el cable a una toma de corriente de 120 V AC, 20 Amp (NEMA 5-20) (modelo WW250X) o 208 V AC (modelos WW250BX y WW300BX). Cada unidad es independiente y puede usarse sola o al mismo tiempo como la otra. Ponga el/los interruptor(s) en la posición "ON"; la(s) luz/luces roja(s) se encenderá(n) y la(s) waflera(s)/gofrera(s) empezará(n) a calentarse (esto debería tomar 3 a 4 minutos). Una vez lista(s), la(s) unidad(es) emitirá(n) 6 pitidos y el/los indicador(es) luminoso(s) verde(s) se encenderá(n) y el aparato emitirá 6 pitidos. Engrase generosamente las placas con spray vegetal o aceite vegetal sin sabor.

**Antes del primer uso, es importante "curar" las placas, calentándolas y luego engrasándolas.**

**NOTA: puede que el aparato produzca humo y un ligero olor a quemado la primera vez que lo use; esto es normal.**

3. Precaliente el aparato al nivel 4 o al nivel deseado y espere hasta que el indicador luminoso verde se encienda.
- Para conseguir resultados óptimos, no abra las placas hasta que el waffle/gofre esté listo; esto podría afectar el buen funcionamiento del temporizador.
4. Llene el vaso medidor hasta la línea "Belgian Waffle" o hasta arriba, según la mezcla (llene el vaso hasta la línea si la mezcla está líquida, o hasta arriba si la mezcla está espesa). Vierta la mezcla en el centro de la placa, y esparcirla uniformemente con una espátula de cocina resistente al calor. Cierre la waflera/gofrera y gírela 180° hacia la derecha.
5. Cuando el waffle/gofre esté listo, la waflera/gofrera emitirá 3 pitidos. El ajuste de temperatura elegido determinará el tiempo de cocción. Elija el nivel de temperatura deseado. Le aconsejamos que utilice el nivel 4 para preparar waffles/gofres bien dorados.
6. Gire la waflera/gofrera 180°, ábrala y retire el waffle/gofre, soltando suavemente los bordes con una espátula de cocina resistente al calor. Nunca utilice utensilios de metal; esto podría dañar el revestimiento antiadherente de las placas.

7. El modelo WW300BX permite preparar 1 o 2 waffles/gofres a la vez. Para preparar solamente un waffle/gofre a la vez, siga las instrucciones más arriba. Para preparar dos waffles/gofres a la vez, vierta la mezcla en una placa, cierre y gire 180°. Abra entonces el otro lado. Vierta la mezcla en el centro de la otra placa, cierre las placas y gírelas 180° en dirección opuesta. Los dos waffles/gofres se cocerán simultáneamente. Cada indicador luminoso verde se encenderá para indicar que el waffle/gofres está listo.

8. Desconecte el aparato después de terminar.

**NOTA: si el aparato se apaga durante el uso, desconecte el aparato y permita que se enfríe por 10 minutos. Tras enfriarse, vuelva a conectarlo.**

## CONSEJOS PARA PREPARAR WAFFLES/GOFRES PERFECTOS

Utilice el nivel 4 para preparar waffles/gofres con mezcla preparada para waffles/gofres o "panqueques".

También le aconsejamos que utilice el nivel 4 para preparar waffles/gofres belgas.

Para que los waffles/gofres sean más crujientes y cocidos, elija un ajuste más alto.

Para que los waffles/gofres sean homogéneos, vierta la mezcla en el centro de la placa y espárzala hacia las orillas, hasta cubrir totalmente la superficie de la placa.

Para obtener mejores resultados, le aconsejamos que llene el vaso medidor hasta la línea "Belgian Waffle", o suficiente para cubrir la placa inferior.

El asa del vaso medidor le permitirá colgar este en el borde del tazón.

Revuelva la harina antes de medirla. Después de echarla en la taza medidora, pase el filo de un cuchillo encima de esta para eliminar el exceso de harina. Medir la harina precisamente le permitirá preparar waffles/gofres más ligeros. Los waffles/gofres son mejores recién hechos, pero si desea, los puede mantener calientes en un horno precalentado a 200 °F (100 °C), adentro de un molde o envueltos en papel de aluminio. Nota: los waffles/gofres envueltos en papel de aluminio serán menos crujientes.

Los waffles/gofres se congelan muy bien. Permita que se enfríen, y luego póngalos en una bolsa hermética, entre hojas de papel encerado. Recalientelos en el horno o en la tostadora.



## LIMPIEZA Y MANTENIMIENTO

Después de terminar, ponga el/los termostato(s) en la posición “1” y el/los interruptor(es) en la posición “OFF”, y luego desconecte el cable de la toma de corriente. Abra las placas y permita que se enfríen antes de limpiarlas.

Nunca desarme el aparato para limpiarlo. Simplemente elimine los residuos de las placas con una brocha y absorba el aceite con un papel absorbente o un paño seco. Si es necesario, limpie las placas con un paño ligeramente humedecido para quitar las manchas y la acumulación de residuos de aceite, y evitar que la mezcla pegue.

Cerciórese de que las placas están completamente frías antes de limpiarlas. Si hay mezcla pegada a las placas, vierta un poco de aceite encima y espere por aproximadamente 5 minutos; esto remojará la mezcla seca para facilitar la limpieza.

Limpie el cuerpo del aparato con un paño suave seco. Nunca utilice limpiadores ni estropajos abrasivos. **NUNCA SUMERJA EL CABLE, LA CLAVIJA NI EL APARATO EN AGUA NI EN NINGÚN OTRO LÍQUIDO.**

Servicio posventa

Para servicio en los Estados Unidos o en Canadá, comuníquese con:



Waring Service Center • P.O. Box 3201  
314 Ella T. Grasso Ave. • Torrington, CT 06790  
Tel. 1-800-492-7464 • Fax (860) 496-9017

o con el centro de servicio más cercano.

Las piezas de repuesto para reparaciones “fuera de garantía” están disponibles en la misma dirección.

**NOTA:** si el aparato ha sido usado para procesar sustancias biológicamente activas, se deberán esterilizar las piezas antes de enviarlas. Las piezas esterilizadas deberán ser claramente identificadas, mediante una etiqueta puesta en las mismas y una declaración adjunta. Waring no aceptará la entrega de artículos esterilizados que no tengan identificación adecuada.

## GARANTÍA LIMITADA DE UN AÑO

(válida en los EE.UU. y en Canadá solamente)

Waring garantiza todo nuevo APARATO COMERCIAL contra todo defecto de materiales o fabricación durante dos años a partir de la fecha de compra, siempre que haya sido usado con alimentos, líquidos no abrasivos (a excepción de detergentes) y semilíquidos no abrasivos, y que no haya sido sujeto a cargas que excedan su máxima capacidad.

Bajo esta garantía, Waring reparará o reemplazará toda pieza que, tras estar inspeccionada por nuestro servicio posventa, demuestre defectos de materiales o fabricación, siempre que el producto se regrese a un centro de servicio autorizado o se entregue con franqueo pagado a: 314 Ella T. Grasso Ave., Torrington, CT 06790.

Esta garantía: a) no se aplica a ningún producto desgastado, defectuoso, dañado o roto debido a uso, reparaciones/servicio realizados por personas no autorizadas, o abuso, mal uso, sobrecarga o daños intencionales; b) no cubre daños incidentales o consecuentes de ningún tipo.

Esta garantía es válida solamente para los aparatos comprados en los Estados Unidos y el Canadá. Esta garantía reemplaza todas las demás declaraciones expresas de garantía. La garantía de los productos Waring adquiridos fuera de los Estados Unidos y del Canadá es la responsabilidad del importador/distribuidor local. Los derechos de garantía pueden variar según las regulaciones locales.

**ADVERTENCIA:** utilizar este aparato con corriente continua (C.C.) invalidará la garantía.

## TABLE DES MATIÈRES

Importantes consignes de sécurité.....	18
Caractéristiques.....	20
Mode d'emploi.....	22
Conseils.....	23
Nettoyage et entretien.....	24
Garantie.....	25

## IMPORTANTES CONSIGNES DE SÉCURITÉ

L'utilisation d'appareils électriques requiert la prise de précautions élémentaires, parmi lesquelles les suivantes :

- LIRE TOUTES LES INSTRUCTIONS.**
- Débrancher l'appareil lorsque vous ne l'utilisez pas et avant de le nettoyer. Le laisser refroidir avant d'installer/de retirer des pièces et avant le nettoyage.**
- Ne pas toucher les surfaces chaudes ; utiliser les poignées ou les boutons.
- Afin de réduire le risque d'incendie, de choc électrique ou de blessures, **NE PAS PLONGER LE CORDON, LA PRISE OU L'APPAREIL** dans l'eau ou tout autre liquide.
- Cet appareil ne devrait pas être utilisé par des enfants ou des personnes atteintes de certains handicaps physiques, mentaux ou sensoriels, ou qui ne disposent pas des connaissances ou de l'expérience nécessaires, à moins qu'une personne responsable de leur sécurité leur en ait expliqué le fonctionnement ou les encadre.  
Veiller à ce que les enfants ne jouent pas avec l'appareil.
- Ne pas utiliser l'appareil si le cordon d'alimentation ou la fiche sont endommagés, s'il ne fonctionne pas correctement, s'il est tombé ou s'il est abîmé ; le renvoyer à un service après-vente autorisé afin qu'il soit inspecté, réparé ou réglé au besoin.**
- L'utilisation d'accessoires non recommandés ou vendus par le fabricant peut présenter un risque d'incendie, de choc électrique ou de blessure.
- Ne pas utiliser cet appareil à l'air libre ou à des fins autres que celles pour lesquelles il a été conçu.

- Ne pas laisser le cordon pendre au bord d'une table ou d'un plan de travail, ni entrer en contact avec des surfaces chaudes.
- Ne pas mettre l'appareil sur ou à proximité d'une plaque à gaz ou électrique, ni dans un four chaud.
- Mettre le thermostat sur "1" et débrancher l'appareil après usage.
- Faire particulièrement attention lorsque vous déplacez un appareil qui contient de l'huile ou autre liquide chaud.
- Brancher l'appareil avant de l'allumer. Mettre le thermostat sur "1" et l'interrupteur sur "OFF" avant de débrancher l'appareil.
- AVERTISSEMENT : AFIN DE PRÉVENIR LES RISQUES D'INCENDIE OU DE CHOC ÉLECTRIQUE, TOUTE RÉPARATION DOIT ÊTRE EFFECTUÉE PAR UN TECHNICIEN AUTORISÉ. NE PAS DÉMONTÉ LE BOÎTIER. CET APPAREIL NE CONTIENT AUCUNE PIÈCE POUVANT ÊTRE RÉPARÉE/REPLACÉE PAR L'UTILISATEUR.**

## GARDER CES INSTRUCTIONS USAGE COMMERCIAL AUTORISÉ

Modèle	Tension	Puissance	Type de prise
WW250X	120 V	2400 W	5-20P (⊖)
WW250BX	208 V	2700 W	6-15P (⊖)
WW300BX	208 V	2800 W	6-15P (⊖)

Pour votre protection, cet appareil est équipé d'une fiche à trois broches. Cette fiche doit être branchée dans une prise de terre correctement configurée. Brancher l'appareil sur la tension inadéquate ou modifier la fiche ou le cordon d'alimentation peut endommager l'appareil et entraîner des risques pour l'utilisateur. Qui plus est, cela annulera la garantie.

**AVERTISSEMENT – POUR UTILISATION SUR CIRCUIT DE DÉRIVATION INDIVIDUEL UNIQUEMENT.**

**Mise en garde :** vérifier que le boîtier est mis à la terre avant d'utiliser l'adaptateur. En cas de doute, demander conseil à un électricien. Ne jamais utiliser un adaptateur, à moins qu'il ne soit correctement mis à la terre.

**REMARQUE :** l'utilisation d'un adaptateur comme celui mentionné ci-dessus est interdite au Canada et en Europe.

## UTILISATION DE RALLONGES ÉLECTRIQUES

S'il est absolument nécessaire d'utiliser une rallonge électrique, utiliser une rallonge munie d'une fiche tripolaire de mise à la terre compatible avec la prise de terre du cordon. Utiliser une rallonge d'intérieur uniquement. Veiller à ce que la tension nominale de la rallonge soit égale ou supérieure à celle de l'appareil. Ne pas utiliser une rallonge si elle est abîmée. Vérifier l'état de la rallonge avant de l'utiliser ; la remplacer en cas de dommage. Ne pas tirer la rallonge ou le cordon pour les débrancher. Maintenir la rallonge éloignée des surfaces chaudes ou coupantes.

## CARACTÉRISTIQUES

- Plaques de 2,5 cm de profondeur**
- Interrupteur**
- Thermostats**  
Température variable selon le type de pâte et les goûts personnels
- Voyants d'alimentation (rouges)**  
Indiquent que le gaufrier chauffe.
- Voyants de préchauffage (verts)**  
Indiquent que le gaufrier est prêt.  
**WW250X & WW250BX**  
– Gaufrier individuel : le voyant vert est situé sur le panneau de contrôle  
**WW300BX (seulement 2 illustrés)**  
– Gaufrier double : le voyant vert est situé sur les plaques
- Signal sonore (non illustré)**  
– Sonne 6 fois pour indiquer que le gaufrier est prêt. Une fois le gaufrier branché et allumé ("ON"), il sonnera 6 fois pour indiquer qu'il a atteint la température nécessaire à cuire.  
Remarque: cela ne se produira que pour la première gaufre.  
– Sonne 3 fois pour indiquer que la gaufre est cuite.

- Couvercle verrouillable**  
– Évite que les plaques ne s'ouvrent pendant la cuisson.

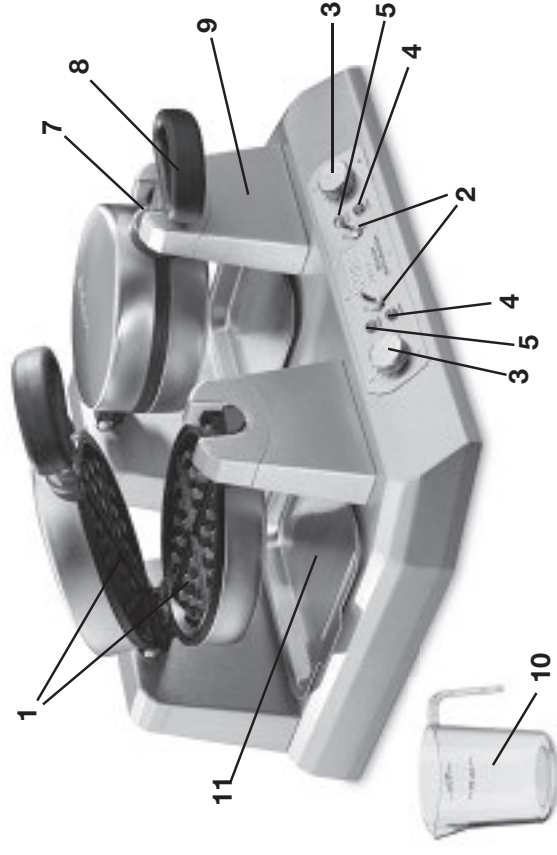
- Poignée**

- Boîtier**

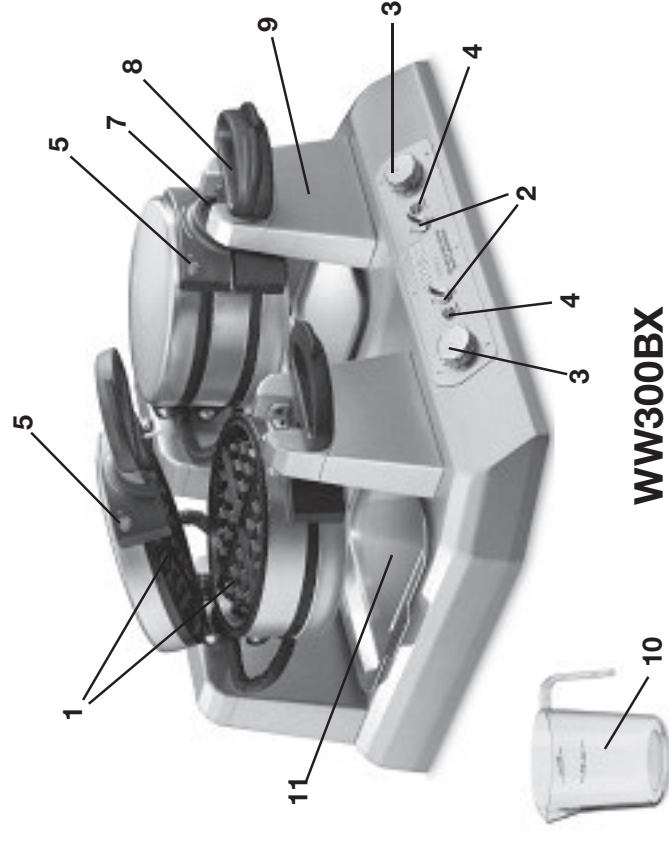
- Verre mesureur**

- Bac amovible**

**REMARQUE : les plaques des gaufriers Waring® Commercial sont recouvertes d'un revêtement antiadhésif. Toutefois, il est conseillé de les graisser avant de préparer la première gaufre, en les badigeonnant d'huile. Essuyer à l'aide d'une serviette en papier ou d'un pinceau à pâtisserie.**



**WW250X & WW250BX**



**WW300BX**

## MODE D'EMPLOI

1. Avant d'utiliser l'appareil pour la première fois, essuyer les plaques de cuisson à l'aide d'un linge humide afin d'éliminer la poussière accumulée pendant le transport. Retirer le matériel de protection et d'emballage.
2. Brancher le cordon dans une prise d'alimentation de 120 V AC, 20 Amp (NEMA 5-20) (pour le modèle WW250X) ou 208 V AC (pour les modèles WW250BX et WW300BX). Chaque gaufrier fonctionne indépendamment et peut être utilisé seul ou en même temps que le gaufrier d'à côté. Mettre le ou les interrupteur(s) à bascule sur la position "ON" pour allumer ; le(s) voyant(s) lumineux rouge(s) s'allumera/s'allumeront et le(s) gaufrier(s) commencera/comenceront à chauffer (cela devrait prendre 3 à 4 minutes). Une fois prêt(s), le(s) gaufrier(s) sonnera/sonneront 6 fois et le(s) voyant(s) vert(s) s'allumera/s'allumeront. Graisser généreusement les plaques à l'aide d'un spray de cuisson ou d'une huile végétale sans goût.

**Avant la première utilisation, il est important de "préparer" les plaques, en les faisant chauffer puis en les graissant.**

**REMARQUE : il se peut que le gaufrier fume et émette une légère odeur lors de la première utilisation ; cela est normal.**

3. Régler la température au niveau n° 4 ou au niveau désiré ; le(s) voyant(s) lumineux vert(s) s'allumera/s'allumeront lorsque le(s) gaufrier(s) aura/auront atteint la température voulue.  
Ne pas ouvrir le gaufrier pendant la cuisson ; cela pourrait nuire au bon fonctionnement du minuteur.
4. Remplir le verre mesureur jusqu'à la ligne "Belgian Waffle" ou jusqu'en haut du verre, selon la recette (remplir jusqu'à la ligne de remplissage si la pâte est liquide ou jusqu'en haut si la pâte est épaisse). Verser la pâte au centre des plaques, et l'étaler à l'aide d'une spatule résistante à la chaleur. Fermer le couvercle et faire tourner le gaufrier 180° vers la droite.
5. Une fois la gaufre cuite, le gaufrier sonnera 3 fois. Remarque : le réglage de température détermine le temps de cuisson. Préchauffer le gaufrier au réglage de température désiré. Pour des gaufres bien dorées, nous vous conseillons d'utiliser le réglage n° 4.
6. Après les 3 bips, faire tourner le gaufrier 180° vers la gauche, ouvrir et retirer la/les gaufre(s) en décollant les bords à l'aide d'une spatule de cuisson résistante à la chaleur. Ne jamais utiliser d'ustensiles en métal ; cela pourrait abîmer le revêtement antiadhésif des plaques.

7. Le modèle WW300BX permet de préparer 1 ou 2 gaufres à la fois. Pour préparer une seule gaufre à la fois, suivre les instructions ci-dessus. Pour préparer deux gaufres à la fois, verser la pâte sur une plaque, fermer et faire tourner 180°. Ouvrir l'autre côté, verser la pâte au centre de la plaque, fermer puis faire tourner 180° dans l'autre sens. Les deux gaufres cuiront en même temps. Chaque voyant vert s'allumera lorsque la gaufre sera prête.

8. Une fois terminé, débrancher le cordon d'alimentation de la prise de courant.

**REMARQUE : en cas d'arrêt soudain pendant l'utilisation, débrancher l'appareil et le laisser refroidir pendant 10 minutes. Une fois refroidi, le rebrancher.**

## CONSEILS POUR DES GAUFRES RÉUSSIES

Utiliser le réglage de température n° 4 lorsque vous utilisez une préparation pour gaufres ou crêpes.

Nous vous conseillons également d'utiliser le réglage n° 4 pour faire des gaufres belges.

Pour des gaufres plus cuites et plus croquantes, utiliser un réglage plus élevé.

Pour que les gaufres soit uniformes, verser la pâte au centre de la plaque et l'étaler vers les bords. La plaque inférieure devrait être complètement recouverte de pâte.

Pour de meilleurs résultats, nous recommandons de remplir le verre mesureur jusqu'à la ligne "Belgian Waffle", ou suffisamment pour saturer la plaque de pâte.

L'anse du verre mesureur vous permettra de suspendre celui-ci au bord du récipient.

Pour préparer des gaufres plus légères, mélanger la farine avant de la mesurer afin de l'aérer. Si vous utilisez un verre mesureur, passer une lame de couteau sur le dessus du verre pour éliminer le surplus de farine ; les gaufres seront ainsi plus légères. Les gaufres sont meilleures lorsqu'elles sont fraîches, mais vous pouvez également les maintenir chaudes dans un four à 95°C, après les avoir placées dans un moule ou en emballées dans du papier d'aluminium (remarque : le papier d'aluminium peut leur faire perdre leur croquant).

Si vous souhaitez congeler les gaufres, les laisser refroidir, puis les placer dans un sac de congélation, entre des feuilles de papier ciré. Les gaufres ainsi congelées pourront se réchauffer au four ou au grille-pain.

## NETTOYAGE ET ENTRETIEN

Une fois terminé, mettre le thermostat sur "1" et l'interrupteur sur "OFF", puis débrancher l'appareil. Ouvrir les plaques et les laisser refroidir avant de les nettoyer.

Ne jamais démonter le gaufrier pour le nettoyer. Éliminer les miettes à l'aide d'un pinceau à pâtisserie et essuyer les plaques avec une serviette en papier ou un linge sec pour absorber l'huile. Au besoin, nettoyer les plaques à l'aide d'un linge humide pour prévenir les taches et les accumulations de résidus d'huile et éviter que la pâte ne colle aux plaques.

Important : laisser les plaques refroidir avant de les nettoyer. S'il reste de la pâte sur les plaques, verser un peu d'huile dessus et attendre 5 minutes ; cela détrempera la pâte et facilitera le nettoyage.

Essuyer le boîtier de l'appareil à l'aide d'un linge doux et sec. Ne pas utiliser de nettoyants abrasifs ou de tampons récurants. **NE JAMAIS PLONGER LE CORDON, LA PRISE OU L'APPAREIL DANS L'EAU OU TOUT AUTRE LIQUIDE.**  
Service après-vente

Afin de faire réparer ou de remplacer cet appareil aux États-Unis ou au Canada, contactez :



Waring Service Center • P.O. Box 3201  
314 Ella T. Grasso Ave. • Torrington, CT 06790  
Tel. 1-800-492-7464 • Fax (860) 496-9017

ou bien adressez-vous au service après-vente le plus proche.

Les pièces détachées pour réparations "hors garantie" sont également disponibles à l'adresse ci-dessus.

**REMARQUE** : si l'appareil est utilisé pour le traitement de matériaux biologiquement actifs, il sera nécessaire d'en stériliser les pièces avant de l'expédier. Les pièces stérilisées doivent être clairement identifiées au moyen d'une étiquette et d'une déclaration jointe. Waring se réserve le droit de ne pas accepter les pièces, à moins qu'elles ne soient identifiées de cette manière.

## GARANTIE LIMITÉE D'UN AN

(valable aux É.-U. et au Canada uniquement)

Waring garantit tout nouvel APPAREIL COMMERCIAL contre tout vice de matière ou de fabrication pendant une période d'un an suivant sa date d'achat, à condition qu'il ait été utilisé uniquement avec des produits alimentaires, des liquides non-abrasifs (autres que des détergents) et des semi-liquides non-abrasifs, à condition que l'appareil n'ait pas été soumis à des charges excédant sa capacité maximale.

Au titre de cette garantie, Waring réparera ou remplacera toute pièce nous paraissant afficher un vice de matière ou de fabrication. Pour un service au titre de cette garantie, envoyez l'appareil, port payé, à l'adresse suivante ou amenez-le à un centre de réparation agréé : Waring Service Center, 314 Ella T. Grasso Ave., Torrington, CT 06790.

Cette garantie a) n'est pas valable si l'appareil est endommagé, cassé, détérioré ou s'il affiche un vice ou défaut résultant de l'utilisation, de l'entretien ou de la réparation par des personnes non autorisées, ou consécutif à l'usage abusif ou inapproprié, à la surcharge ou à la modification de l'appareil ; b) ne couvre aucun dommage accessoire ou indirect.

Cette garantie d'un an n'est valable que sur les appareils utilisés aux États-Unis et au Canada. Cette garantie abroge toute autre garantie formelle ou tout autre accord de garantie. La garantie des produits Waring vendus en dehors des États-Unis et du Canada est à la charge de l'importateur ou du distributeur local. Les droits de garantie peuvent varier d'un pays ou d'une région à l'autre.

**AVERTISSEMENT** : brancher cet appareil sur Courant Continu (C.C.) annulera la garantie.



Trademarks or service marks of third parties used herein are the trademarks or service marks of their respective owners.

Todas las marcas registradas, comerciales o de servicio mencionadas en este documento pertenecen a sus titulares respectivos.

Toutes les marques déposées, commerciales ou de service ci-incluses appartiennent à leurs propriétaires respectifs.

©2017 Waring Commercial  
314 Ella T. Grasso Ave  
Torrington, CT 06790

[www.waringcommercialproducts.com](http://www.waringcommercialproducts.com)

Printed in China  
Impreso en China  
Imprimé en Chine

WW250X/WW250BX/WW300BX Series IB  
17WC027935

IB-14973