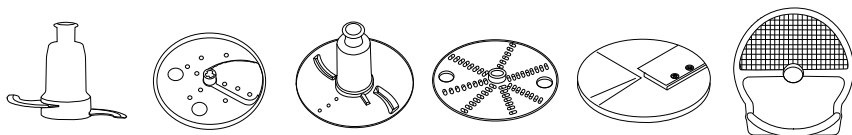
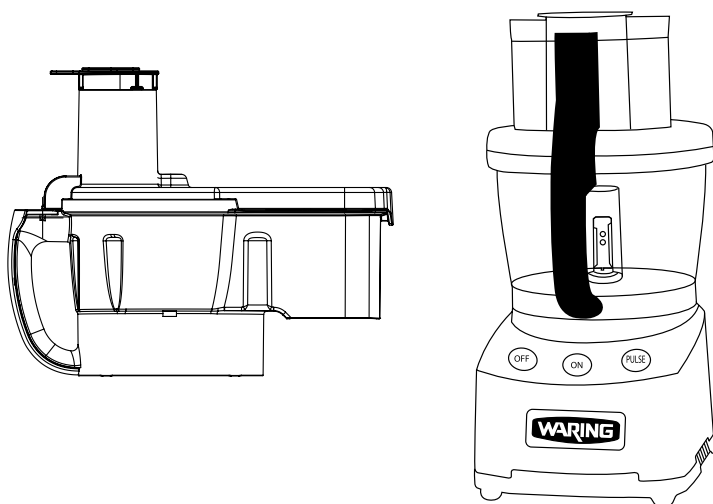


WARING COMMERCIAL[®]

4-QT. (16-CUP) FOOD PROCESSOR

PROCESADORA DE ALIMENTOS DE 16 TAZAS (3.75 L)

ROBOT DE CUISINE DE 16 TASSES (3,75 L)



WFP16SCD

For your safety and continued enjoyment of this product,
always read the instruction book carefully before using.

Para su seguridad y para disfrutar plenamente de este producto, siempre lea
cuidadosamente las instrucciones antes de usarlo.

Afin que votre appareil vous procure en toute sécurité beaucoup de satisfaction,
lire attentivement le mode d'emploi avant de l'utiliser.

TABLE OF CONTENTS

Important Safeguards	2
Grounding Instructions	4
Introduction	5
The Parts	6
Assembly	8
Operating the Controls	13
Disc Operation	17
Troubleshooting	22
Cleaning and Maintenance	23
Warranty.....	25

IMPORTANT SAFEGUARDS

When using electrical appliances, basic safety precautions should always be taken, including the following:

1. **READ ALL INSTRUCTIONS.**
2. **Unplug from outlet when not in use, before putting on or taking off parts, before removing food from batch bowl, and before cleaning. To unplug, grasp plug when pulling from electrical outlet. Never pull cord.**
3. Unplug from outlet prior to handling or cleaning the unit.
4. **Blades are sharp. Handle carefully.**
5. Your Waring® Commercial food processor is a piece of kitchen equipment, and like all other kitchen equipment, extreme care must be used when operating it. Although training requirements are minimal, only responsible and prudent individuals should be allowed to operate this food processor. It should not be used by or near children or individuals with certain disabilities.
6. To avoid injury, never place cutting blade or disc on base without first having put the bowl properly in place.
7. Keep hands as well as spatulas and other utensils away from moving blades or discs while processing food to prevent the possibility of severe personal injury or damage to the food processor. A plastic scraper may be used, but must be used only when the food processor is not running.

8. To protect against risk of electrical shock, do not put base in water or other liquids.
9. Avoid contact with moving parts. Never feed food by hand when slicing or shredding. Always use food pusher.
10. Make sure motor has completely stopped before removing the cover.
11. Do not operate any appliance with a damaged cord or plug, or after appliance has been dropped or damaged in any manner. Return appliance to the nearest authorized service facility for examination, repair or adjustment.
12. The use of attachments not recommended or sold by Waring Commercial may cause fire, electric shock or injury.
13. Do not use outdoors.
14. Do not let cord hang over edge of table or counter, or touch hot surfaces.
15. This product is ETL listed for commercial use. Use it only for food preparation as described in this book.
16. Do not attempt to disable the cover interlock mechanism.
17. Be certain cover is securely locked in place before operating appliance.
18. If the machine malfunctions for any reason, discard any food being processed at that time.
19. This appliance is not intended for use by persons (including children) with reduced physical, sensory or mental capabilities, or lack of experience and knowledge, unless they have been given supervision or instruction concerning use of the appliance by a person responsible for their safety.
20. Children should be supervised to ensure that they do not play with the appliance.

SAVE THESE INSTRUCTIONS

**APPROVED FOR
COMMERCIAL USE**

GROUNDING INSTRUCTIONS

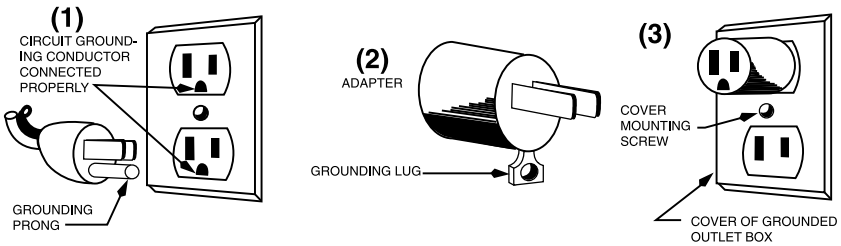
For your protection, this appliance is equipped with a 3-conductor cord set.

120 volt units are supplied with a molded 3-prong grounding-type plug (NEMA 5-15P), and should be used in combination with a properly connected grounding-type outlet as shown in Figure 1.

If a grounding-type outlet is not available, an adapter as shown in Figure 2 may be obtained to enable a 2-slot wall outlet to be used with a 3-prong plug.

As shown in Figure 3, the adapter must be grounded by attaching its grounding lug under the screw of the outlet cover plate.

CAUTION: Before using an adapter, it must be determined that the outlet cover plate screw is properly grounded. If in doubt, consult a licensed electrician. Never use an adapter unless you are sure it is properly grounded.



NOTE: Adapters are not permitted for use in Canada.

INTRODUCTION

Waring® Commercial food processors are the most versatile food processors in their class, featuring a LiquiLock® Seal System that enables processing of large volumes of liquid without leakage and the need to remove the S-blade while pouring. These professional machines are prime examples of Waring's seventy-five years of industry food service experience, as well as seventy-five years of food processing experience.

The WFP16SCD is both ETL and ETL Sanitation Listed.

This instruction book describes the WFP16SCD, which comes with a sealed batch bowl (also known as a batch bowl) and a sealed/locked cutter blade (or S-blade) to CHOP, GRIND, PURÉE and MIX. The patented LiquiLock® Seal System allows for processing large volumes of liquids with no leakage. Additional discs provided allow for shredding, slicing and whipping directly in the sealed batch bowl. For large volume processing, the WFP16SCD includes a continuous feed chute. This option allows anything processed with an accessory disc to be processed directly into a separate container. The WFP16SCD is the first of the LiquiLock® series food processors to introduce a dicing operation, making it the most versatile LiquiLock® food processor available.

Size, power and convenience

The wide feed tube makes processing high volumes of larger-sized foods convenient and easy. The motor shaft is built for durability. The housing, batch bowl, chute, covers and pushers are all made from durable polycarbonate for heavy-use conditions and easy cleanup. The clear bowl and processing covers are convenient for viewing food processing and are made of heavy-duty material to withstand heavy-duty use.

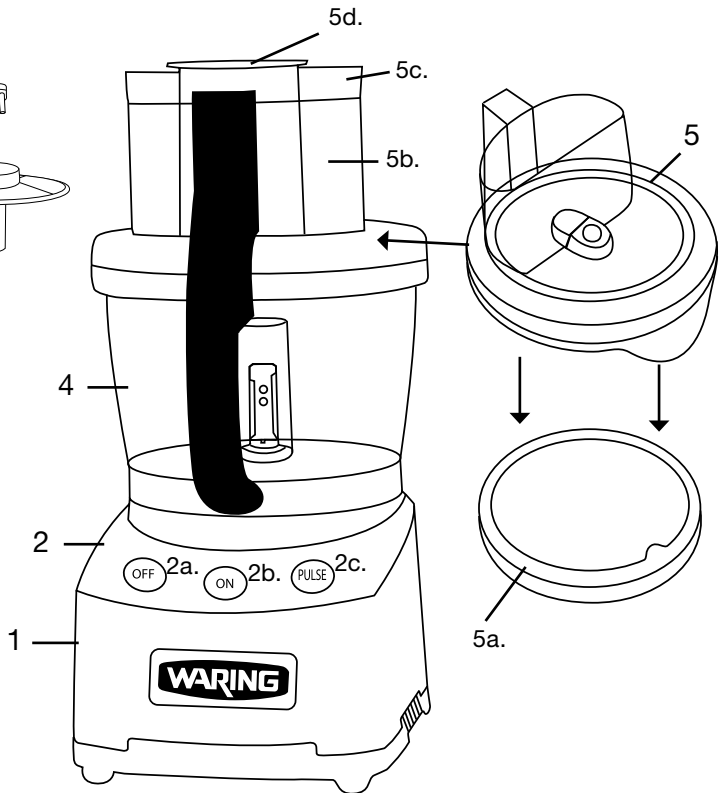
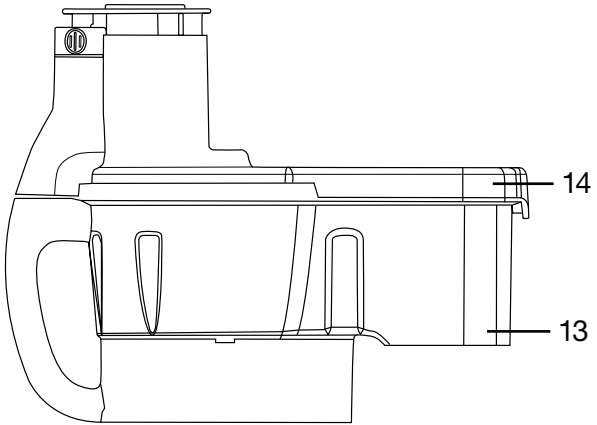
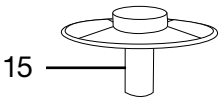
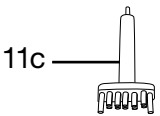
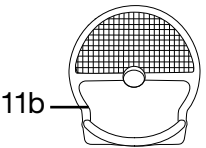
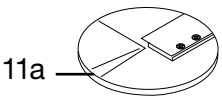
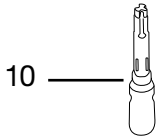
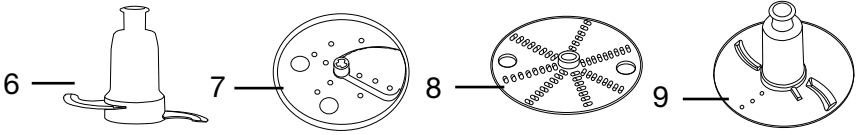
THE PARTS

The Waring® Commercial WFP16SCD consists of the following standard parts and accessories:

1. Base – Heavy-duty die-cast base
 - a. Motor shaft
2. Controls – Large, easy-to-read control buttons
 - a. OFF
 - b. ON
 - c. PULSE
3. Safety interlock (not shown). Prevents machine from operating until cover is in place
4. Batch Bowl – Sealed clear 4-quart (16 cups/3.75L) batch bowl
5. Cover – Snap-lock cover with removable gasket for easy cleaning
 - a. Cover gasket
 - b. Large feed chute – for feeding larger foods
 - c. Large pusher – for use with the large feed chute
 - d. Small Pusher – place inside of the large pusher for use with smaller foods

Note: Interlocking pushers allow use of the entire feed tube for large foods and provide controlled processing for small-diameter foods such as carrots, celery and pepperoni.

6. S-blade – To chop, grind, purée and mix: Sealed and locked in place for liquid processing and easy pouring
7. Slicing disc – Adjustable up to 16 thicknesses
8. Shredding disc – Reversible for fine or coarse shred
9. Sealed whipping disc
10. Disc Stem – Detachable disc stem for use with adjustable slicing disc and reversible shredding disc
11. Dicing assembly
 - a. 3/8" slicing blade
 - b. 3/8" dicing grid
 - c. Dicing grid punch tool (for cleaning)
12. Cleaning brush (not shown)
13. Continuous feed chute
14. Continuous feed chute cover
15. Slinger



ASSEMBLY OF BATCH BOWL PARTS

Prior to First Use:

- Clean and sanitize the motor base. Wash, rinse, and sanitize the batch bowl, cover, food pusher, small pusher insert and accessories.
- Place base on a counter or table near a 3-prong electrical outlet. Position it so you look at the front of the unit and can see the control panel. Do not plug in the cord until the processor is completely assembled.
- Pick up the transparent batch bowl, holding it in both hands with the handle toward you.
- Place the bowl on the base, fitting its central tube over the motor shaft on the base and placing its handle slightly to the left of back-center (at about a 7 o'clock position).
- Press the bowl down so the lower rim fits around the circular platform. Turn the bowl counterclockwise as far as it will go. It will lock into position with the tabs on the sides of the platform.

Read this if assembling the batch bowl parts to use S-blade or whipping disc assembly.

- Pick up the S-blade or whipping disc, noting the diagram on the top of the plastic center. It matches the shape of the motor shaft.
- Place the S-blade or whipping disc over the top of the motor shaft, lining up the inside of the hub with the shaft. Press it down firmly, rotating the center hub until the blade or disc assembly is fully seated. It should easily drop into place. Push firmly to lock and seal S-blade or whipping disc hub in place. Be sure it is pushed down as far as it will go. If it is not all the way down, it may become damaged and any liquid may leak. Push only on the center section (plastic part); never touch the cutting blade, as it is extremely sharp.
- Check to be sure the blade or disc is all the way down by turning it back and forth while gently pushing it down. If properly installed and fully seated, the lower blade will be positioned just above the inside bottom of the bowl.
- If processing food with the S-blade or whipping disc, now is the time to add the food or liquid to the batch bowl.

- Do not fill liquid over **MAX LIQUID FILL LINE**. If too much liquid is used, it will overflow. In this case, stop operation, remove liquid to below **MAX LIQUID FILL LINE** and continue processing.

Read this if assembling batch bowl parts to use slicing disc or shredding disc assembly.

To assemble the adjustable slicing disc (WFP16S10), you must remove bowl cover. Position the disc stem over the drive shaft securely. Next, select the desired thickness setting on your adjustable slicing disc. There are 16 different positions ranging from 1–6mm in thickness. Once you've set the thickness, position the plastic receptacle on the underside of the disc over the disc stem securely. Do not turn on the unit until the batch bowl is properly assembled with the cover.

To assemble the reversible shredding disc (WFP16S12A), you must remove bowl cover. Position the disc stem over the drive shaft securely. Next, select the desired shredding blade size. Your reversible shredding disc has fine shredding blades on one side and coarse shredding blades on the other. Be sure the desired blade size is facing up, and position the disc on the disc stem securely. Do not turn on the unit until the batch bowl is properly assembled with the cover.

NEVER ATTEMPT TO START THE FOOD PROCESSOR WITHOUT THE COVER LOCKED INTO POSITION.

Two pushers for feed tube

There is a large food pusher and small food pusher. The large pusher is for processing larger foods. The small pusher nests in the large pusher and can be used for smaller products, guiding long thin vegetables for more precise cuts, or for jobs like slicing pepperoni. Insert the small food pusher into the large food pusher opening. Now you are ready to insert the large pusher into the feed tube chute.

DISASSEMBLY OF BATCH BOWL PARTS

ALWAYS UNPLUG THE UNIT BEFORE DISASSEMBLING.

- Remove the large food pusher from the feed tube. Remove the small pusher from the large pusher.

Disassembly when removing the S-blade or whipping disc

- Remove the batch bowl from the unit by rotating clockwise (left) to disengage the tabs on the bottom of the bowl platform from the batch bowl. When the bowl handle is on the left (about 7 o'clock position), you can gently lift the bowl straight up and out.
- Remove the lid from the batch bowl by pressing the tabs on the handle and lifting up. The black seal can easily be removed for cleaning.

It is recommended that you remove the bowl from the motor base before you remove the S-blade or whipping disc.

NOTE: REMOVE ALL FOOD AND LIQUID BEFORE REMOVING S-BLADE OR WHIPPING DISC, OR BOWL WILL LEAK.

- To remove the blade or disc, keep a slight downward pressure on the top center hub of the blade or disc while removing the bowl from the motor base. This will form a seal to prevent food particles from spilling into the center tube of the bowl and onto the motor base or the work surface. Remove all contents from the batch bowl. Then remove the S-blade or whipping disc from the bowl by pulling upward to unlock the seal. Handle the S-blade with caution; the blades are extremely sharp.

Disassembly when removing an accessory disc

- Do not remove the batch bowl until the accessory disc is removed.
- To remove an accessory disc, place your fingers on the outer edge of two opposite sides of the disc and lift. The disc should remove easily off the disc stem. If the disc stem stays attached to the disc, hold the disc in one hand with the stem facing away from your hand and pull out the disc stem. Be careful not to scrape your hand on any sharp edges.

- Remove the batch bowl from the unit by rotating clockwise (left) to disengage the tabs on the bottom of the bowl platform from the batch bowl. When the bowl handle is on the left (about 7 o'clock position), you can gently lift the bowl straight up and out.

ASSEMBLY OF CONTINUOUS-FEED CHUTE PARTS

- Clean and sanitize the motor base, and wash, rinse, and sanitize the continuous-feed chute, cover, slinger disc, food pusher, small pusher insert and processing tools prior to initial use.
- Place the base on a counter or table near a 3-prong electrical outlet. Position it so that you are looking at the front of the unit and can see the control panel. Be certain that the cord is unplugged. Do not plug in the cord until the processor is completely assembled.
- Pick up the continuous-feed chute, holding it in both hands with the chute pointing in the 4 o'clock position and the handle at the 10 o'clock position. Place the chute on the base, fitting its center opening over the motor shaft.
- Press the chute down so the round lower rim of the chute fits around the circular platform. Rotate counterclockwise until it clicks into place and engages the rear interlock.
- Place the slinger (or ejector disc) in the bowl, sliding it over the metal motor shaft until it reaches the bottom of the chute.
- Select the appropriate accessory disc. **Follow directions on page 9 to attach stem to disc.**
- Place the cover on top of the chute with cover locking tab at left of locking tab on chute. Press down and rotate the cover until it latches to the tab on the continuous-feed chute. This will prevent the lid from rising up during processing.
- The interlock tab on the cover will slide into the interlock slot on the cover and engage the magnetic safety interlock switch. The interlock switch prevents operation of the machine unless the cover is in the proper position. With this switch engaged, the food processor will operate if the power is on and the controls are turned to ON or PULSE.
- To assemble the dicing assembly (WFP16S26) you may use only the continuous feed. Do not attempt to use the dicing grid in the batch bowl. First remove the continuous-feed chute cover and be sure that the slinger is properly installed (see above for

assembly of continuous-feed chute). Position the dicing grid so that it fits securely on the tabs of the continuous feed chute. Guide the stem of the slicing blade through the center hole of the dicing grid and over the drive shaft. Be sure that the slicing blade is completely secured on the shaft by spinning the disc lightly until it is almost flush with the dicing grid. Do not turn on the unit until the continuous-feed chute is properly assembled with the cover.

To remove dicing assembly, first unplug the food processor, rotate dicing blade counterclockwise and lift up from the edges. Be careful not to touch the blade when removing dicing assembly as it is very sharp. Next lift the dicing grid.

NOTE: Dicing assembly (WFP16S26) is to be hand-washed only. DO NOT PUT DICING BLADE OR GRID IN DISHWASHER.

NEVER ATTEMPT TO START THE FOOD PROCESSOR WITHOUT THE CHUTE AND COVER LOCKED INTO POSITION.

- Insert the small food pusher into the large food pusher opening. Now you are ready to insert the large pusher into the feed tube opening.
- Once feed chute is assembled, place separate container under the feed chute.

DISASSEMBLY OF CONTINUOUS-FEED CHUTE PARTS

ALWAYS UNPLUG THE CORD BEFORE DISASSEMBLING.

- Turn the cover clockwise until the safety interlock tab on the cover is disengaged from the safety interlock switch on the chute, and the tabs are clear of the tabs on the cover.
- Remove the large food pusher from the feed tube. Remove the small pusher from the large pusher.
- Remove the continuous-feed chute from the motor base. If the chute is pointing in the 4 o'clock position, just lift it up. If not, rotate clockwise to disengage the tabs on the bottom of the chute platform (motor base) from the slots on the bottom of the continuous-feed chute.
- Use caution removing accessory discs as the blades are very sharp.

OPERATING THE CONTROLS

- Plug the machine into an electrical outlet. The outlet must be 120V, 60Hz.
- There are three control buttons on the base unit.

The three controls are: ON
 OFF
 PULSE

How they work:

ON: Press the ON button to start the motor.

OFF: Press the OFF button to stop the motor.

PULSE: To pulse the motor, press the PULSE button down, then release. The motor will run as long as you hold the button down; it stops when you release the button.

HOW TO USE

Continuous use

For continuous processing, use the ON button which is located in the middle.

Pulsing

- For rapid ON/OFF operation, use the PULSE. The motor runs as long as you hold the button down; it stops when you release the button.
- You control the duration of each pulse by the amount of time you hold the button down. You control the frequency of pulses by the rate at which you press the button.
- Pulsing gives you greater control over consistency when chopping, blending and mixing.
- Pulsing is also useful in processing hard foods. Pulse the food a few times to break it up into smaller parts. Then proceed with continuous use after the pieces are broken up and easier to process.

- Always use the PULSE button for pulsing. Never move the bowl and cover assembly on or off to control pulses. It is less efficient and could damage the machine.

Turning the machine off with the OFF button

- Always switch the food processor off by pressing and releasing the OFF button. This assures that the power is not supplied to the motor.
- Always switch the food processor off and wait until rotation stops before removing the cover.
- While the safety interlock switch will turn the machine off if the bowl is rotated clockwise or the cover is removed while running, this should not be the means of turning the machine on or off.
- As a safety precaution, always make sure the machine is off by pressing the OFF button before pushing down the lid.

FOOD PREPARATION

- Prepare all food items to be processed by washing and peeling as required. Remove pits, stones, and large seeds.
- Cut vegetables, meats, cheeses, etc., into sizes that will fit into either the small or large feed tube for processing with accessory discs.
- Preparation for slicing: Produce that is long and cylindrical such as carrots, cucumbers and celery should be cut flat at both ends. This will provide a consistent slice for all food processed.

FOOD PUSHER SELECTION

The feed tube can be used for adding ingredients while the food processor is running. However, it is recommended that the food pushers be left in place whenever possible to prevent splashing and avoid unwanted additions to the batch bowl.

Small pusher

This pusher is typically used when inserting vegetables vertically for smaller cuts. It should be used when slicing foods such as carrots, celery, pepperoni, etc., when a consistent, flat result is desired.

Large pusher

This pusher is typically used when inserting vegetables horizontally for longer cuts.

RESETTING THERMAL PROTECTION

The WFP16SCD food processor is equipped with an automatic reset switch to protect the motor from overheating.

If your food processor stops running under heavy use, press the OFF button and unplug the power cord. Empty the batch bowl of all its contents and set aside. Allow approximately 30 minutes for the motor to cool down.

Reassemble unit, plug the power cord back into the outlet and run first with the bowl empty. Put food into the bowl and continue processing.

If your food processor does not function properly following this procedure, discontinue use and contact a Certified Waring Customer Service Center.

USE INSTRUCTIONS FOR S-BLADE/CUTTER BLADE

- The sealed S-blade (cutter blade) is designed for chopping, grinding, puréeing, blending, mixing or kneading.
- Assemble the bowl and blade as instructed in the section titled “Assembly of Batch Bowl Parts” (page 8).

Chopping and mincing

- To chop or mince in the bowl, fill the bowl up to $\frac{3}{4}$ full.
- To chop or mince most effectively, use the pulse function. This allows for better control over consistency. Continue pulsing until the desired consistency has been reached.
- If chopped foods are processed continuously, the food could be processed unevenly, i.e., food on the bottom will be finely chopped and food on the top will be more coarse.

Chopping meat

Cut meat into 1-inch (2.5 cm) pieces to ensure an even chop. Process no more than 2 lb. of meat. Press the PULSE button 3 or 4 times at a rate of 1 second on, 1 second off. If the food is not chopped fine enough, let the processor run continuously for a few seconds. If the machine has trouble starting, reduce the amount of meat in the bowl and start again.

Chopping/grating hard cheese

To chop, place up to 2 lb. of uniformly cut 1-inch (2.5 cm) cubes of chilled cheese into the bowl and pulse. For grated cheese, pulse until the cheese is in small chunks (pea size), then allow the processor to run continuously until you have the degree of grating desired. Cheese with high moisture content can ball up if processed too long.

Chopping onions, celery, cabbage, etc.

Cut onions in quarters, and other vegetables into 1-inch (2.5 cm) cubes. Place the cubed food into the batch bowl up to the top of the bowl’s inner tube, and pulse until you reach the desired consistency.

Note: If you let the blade run too long, the ingredients on the bottom will become puréed or give you uneven results.

Purée or Mix

To purée tomatoes, vegetables and fruits, make sauces, or mix and blend ingredients, place the ingredients into the bowl, turn the unit on and allow it to run continuously until you reach the desired consistency. Do not let the machine run unattended. If too much liquid is used, it will overflow. In this case, stop operation, remove liquid to below the MAX FILL LINE and continue processing.

Do not fill liquid past MAX LIQUID FILL LINE.

ACCESSORY DISC SELECTION AND USE

The food processor disc accessories are made to perform a wide variety of food processing tasks: slicing, whipping, shredding and dicing. Four (4) accessory discs are included with the WFP16SCD. As of this printing they are:

WFP16S10 – Adjustable Slicing Disc – Slice
from 1mm–6mm/16 different positions

WFP16S11 – Sealed Whipping Disc

WFP16S12A – Reversible Shredding Disc – Fine and
Coarse Settings

WFP16S26 – 10mm (3/8" x 3/8") Dicing Assembly

SLICING OPERATION

- The WFP16SCD comes with an adjustable slicing disc. The adjustable slicing disc allows you to slice foods anywhere from 1mm to 6mm thick using 16 different slicing positions! Prior to mounting the disc onto the motor shaft (see page 9 for assembly instructions), use the knob to select desired thickness. Once you have selected the thickness and mounted the disc onto the unit, you may secure the cover onto the batch bowl or continuous-feed chute and remove the pusher.
- Prepare all food items to be processed by washing and peeling as required. Remove pits, stones, and large seeds. Be sure the food will fit into the proper feed chute. Foods such as carrots, cucumbers, etc., should be cut flat at both ends to provide a consistent slice throughout the whole product.
- With foods like cabbage, lettuce or any product that has an undesirable core, the core should be removed. Medium-size

cabbage or lettuce heads may be cut into thirds to fit in the feed chute. Larger heads may need to be quartered.

- When food preparation is complete, fill the chosen feed tube, position the pusher, turn the machine on and monitor the results.
- Never try to slice soft cheese. Use only hard cheese. Mozzarella may be sliced only when well chilled to around 36°F.
- When sliced food reaches MAX LIQUID FILL LINE, remove all sliced food from the bowl.

SHREDDING OPERATION

- The WFP16SCD comes with a reversible shredding disc. Both sides on this disc produce a perfect shred, one fine, the other medium. When assembling the shredding disc, note that the side facing up will be the size shred produced. When the disc is secured, you may attach the cover on the batch bowl or continuous-feed chute and remove the pusher.
- Prepare all food items to be processed by washing and peeling as required. Remove pits, stones, and large seeds. Be sure the food will fit into the proper feed chute.
- Select which feed tube to use. Horizontal placement of foods such as carrots and zucchini will result in a longer shredded product. Using the smaller chute and small pusher with food inserted vertically, which will yield a shorter shredded product.
- Never try to shred soft cheese. Use only hard cheese. Mozzarella may be shredded only when well chilled to about 36°F. Always use PULSE operation when shredding cheese.
- When shredded food reaches MAX LIQUID FILL LINE, remove all shredded food from the bowl.

SEALED WHIPPING DISC OPERATION

- The WFP16SCD comes with a sealed whipping disc. See page 8 for assembly instructions to install the whipping disc. Once assembled, you are ready to start adding in your favorite ingredients!
- The whipping disc makes any whipping job easy and quick. During the whipping process, air is added to the mixture. As air is added, the mixture expands. Be sure that the mixture does

not expand beyond the MAX FILL LINE or it may leak through the feed tube. If the mixture expands to the point where it leaks out the feed tube, stop operation and reduce the contents of the bowl to below the MAX LIQUID FILL LINE and continue operation.

For whipped cream, simply add heavy cream and your choice of flavoring into the batch bowl (do not use more than 6-cups of heavy cream). Be sure the bowl is properly assembled with the bowl cover. Press the ON button for continuous operation and whip the cream until thick and fluffy.

To make butter, add heavy cream and your choice of seasoning into the batch bowl. Be sure the bowl is properly assembled with the bowl cover. Press the ON button for continuous operation and whip the cream until the moisture has mostly separated from the cream.

DICING OPERATION

- The dicing operation requires that product be sliced both horizontally and vertically by the machine. The smaller the dice required, the more difficult the cut is to achieve. Soft or juicy product will tend to mush if the dice is too small or the product is too soft. Cheese and meat are the opposite extreme. Because of the consistency of cheese and meat, it is not recommended that this kind of food be diced. Damage could occur to the blades and/or motor and will not be covered under warranty.
- During the dicing operation, attention should be given to the finished product. Any food in front of the blade should be removed before the feed chute is refilled. A visible change in the product will occur when the dicing grid requires cleaning. The best way to clean the grid is to remove the continuous-feed lid and the slicing plate, and use the dicing grid punch tool included to push through any product in between the grid blades.
- When using dicing feature: Place dicing grid in chute on top of indentations on the bowl. Pick up slicing blade and place on drive shaft so that the blade is flush with the dicing grid. Pulsing is the best method for this operation.
- When dicing, if the disc gets jammed, unplug the food processor and remove the lid of the continuous-feed chute first.

Remove any food jammed in the blade opening, then rotate the slicing plate counterclockwise slowly to loosen it. Reassemble and continue dicing.

- Dicing assembly is to be hand-washed only.

GRATING OPERATION

Waring® Commercial offers grating discs as an optional accessory. For grating, use instructions below.

- Prepare all food items to be processed by washing and peeling as required. Remove pits, stones, and large seeds. Be sure the food will fit into the proper feed chute.
- Never try to grate soft cheese. Use only hard cheese. Mozzarella may be grated only when well chilled to around 36° F.
- For grating cheese, it is recommended that a slight pulsating pressure be applied with the pusher, alternating push/no push until the cheese block is completely grated. Cheese grating puts more strain on the food processor motor than other tasks and may cause overheating if too much pressure is applied in a continuous manner.
- You can typically expect to grate 10 pounds (4.5 kg) of cheese in about five (5) minutes.
- After fifteen (15) minutes of continuous cheese grating, allow the machine to cool.
- It is recommended that you plan your food preparation in a manner that will allow for five minutes of grating, followed by five minutes of food preparation while the machine rests.
- When grated food reaches MAX LIQUID FILL LINE, remove all grated food from the bowl.

JULIENNE DISC OPERATION

Waring® Commercial offers julienne discs as optional accessories. Follow the instructions below to operate.

- Prepare all food items to be processed by washing and peeling as required. Remove pits, stones, and large seeds. Be sure the food will fit into the proper feed chute.
- If a long horizontal cut is desired – for example, squash sticks – the food must be placed in the feed chute horizontally or on its side. For finely chopped food results – for example, chopped celery or finely chopped onions, you must insert the

vegetables vertically or standing up. For a very fine chop of onions, quarter the onion and gravity-feed it through the chute.

Removing processed food from the batch bowl

1. Turn the machine off and wait for the blade to stop moving before removing the lid and pusher.
2. If the blade holds the bowl locked when the motor stops, move the handle of the bowl rapidly back and forth – first clockwise, then counterclockwise.
3. If using a disc, remove before tilting the bowl, using a spatula to scrape off any food sticking to it. If using the S-blade, it will stay locked in the bowl when you tilt to pour. Use spatula to scrape food out of bowl. **NEVER USE FINGERS TO REMOVE FOOD WHILE BLADE IS IN BOWL.**

TROUBLESHOOTING

This section describes potential problems and the correct solutions for them. Problems that cannot be solved with the guidelines listed below should be referred to one of the Waring Authorized Service Centers for assistance. A listing of authorized service agencies is supplied with each Waring® food processor.

<p>Unit does not start when assembled correctly</p>	<ul style="list-style-type: none"> • Pull the plug and try plugging into another outlet. • Make sure the bowl is properly positioned on the motor base, that the bowl cover is attached properly, and that the safety interlock tab on the cover has properly engaged the safety interlock switch. • Press ON button.
<p>Unit stops running during processing</p>	<ul style="list-style-type: none"> • The unit may have overheated. Refer to Resetting Thermal Protection section (page 15). • Turn unit off and unplug. • Remove bowl attachment. • Remove food being processed from inside the bowl and set aside. • Allow unit to cool for 30 minutes. • Reassemble unit, and run first with the bowl empty, then put food into the bowl and try again.
<p>Unit jams or vibrates excessively</p>	<ul style="list-style-type: none"> • Turn unit off and unplug. • Disassemble the batch bowl/accessories. • Make sure there is no food in S-blade hub (if applicable). • Clean food off accessory discs (if applicable). • Reassemble unit, and run first with the bowl empty, then put food into the bowl and try again.
<p>Unit will not come up to full speed</p>	<ul style="list-style-type: none"> • Bowl is overloaded – remove food being processed and reload using smaller quantities.
<p>If unit does not operate after you have followed the above</p>	<ul style="list-style-type: none"> • Check outlet to be sure there is current. • Check to be sure circuit breaker is on. • Check to be sure the fuse is not blown if there are fuses on this circuit. • Call a local Waring service agency.
<p>If food processor makes grinding noise</p>	<ul style="list-style-type: none"> • Turn unit off, unplug, disassemble, check bowl and blade to see if they have been rubbing together. • If bowl and blade are rubbing, call your authorized Waring service agency.

If you notice that the blade is bending during heavy operation and/or yielding inconsistent cut results

- Stop use, discard contents and do not attempt to fix the disc at home. Call local Waring service agency for advice and/or to purchase a new disc.

CLEANING AND MAINTENANCE

Always unplug motor base when not in use, before inserting or removing parts, and before cleaning. Clean the food processor and accessories prior to initial use and after each use. Do not use harsh, abrasive-type cleaners on any part of the food processor. Handle very carefully as the blades and discs are sharp.

1. Carefully wash the motor shaft with a small brush.
2. Wash, rinse, sanitize and air-dry the bowl, lid, cover, lid gasket, small food pusher, large food pusher, continuous-feed chute, accessory discs, dicing grid punch tool and S-blade prior to initial use and after use, unless they will be used again immediately.

NOTE: Above parts are dishwasher safe except for the dicing assembly.

3. The dicing assembly/dicing grid and slicing blade (part 11a, 11b) are to be hand-washed only. Use the provided dicing grid punch tool (part 16) to dislodge food particles from the grid.
4. For manual cleaning, use only low-foaming detergents such as International Products Corp. LF2100, formulated for cleaning dishware and cooking utensils. These products can be purchased from laboratory, restaurant and commercial food service suppliers. Follow the detergent manufacturer's instructions.

Wash and rinse all of the above items after each use. A stiff bristle brush will help to knock food particles out of the crevices of the discs and blades before washing. Pre-clean stubborn food deposits with a brush and presoak in the detergent solution if necessary.

RINSE

Use only water to rinse.

SANITIZE

Use regular, unscented bleach diluted with water between 50°F and 120°F. Follow the food equipment cleaning instructions on the label to not exceed 200 ppm total available chlorine. The sanitizing dilutions are based on the hypochlorite concentration of the bleach. The dilutions for two commonly available bleach concentrations are:

Hypochlorite: 5.25% – 3 teaspoons bleach per gallon of water

Hypochlorite: 8.25% – 2 teaspoons bleach per gallon of water

Immerse in or alternately spray with sanitizing solution and soak for 2 minutes.

AIR-DRY

Drain sanitizing solution and allow parts to air-dry.

To clean and sanitize the motor base

Clean and sanitize the motor base prior to initial use and after each use. Unplug the unit.

1. To clean: Wipe down the motor base with a wet cloth.
2. To sanitize: Wipe down the motor base with a soft cloth or sponge that has been dampened with sanitizing solution*.
DO NOT IMMERSER THE MOTOR BASE IN WASHING SOLUTION, RINSE WATER OR SANITIZING SOLUTION.
3. Allow to air-dry.

*Use only sanitizing solutions recommended in this manual.

LIMITED WARRANTY

LIMITED FIVE YEAR MOTOR WARRANTY

LIMITED TWO YEAR PARTS AND LABOR WARRANTY

(U.S. and Canada only)

Waring® Commercial warrants that this product's motor shall be free from defects in material and workmanship for a period of five years from the date of purchase when used with foodstuffs, nonabrasive liquids (other than detergents) and nonabrasive semi-liquids, providing it has not been subject to loads in excess of indicated rating. All other components are warranted for a period of two years from date of purchase.

Under this warranty, the Waring® Commercial division will repair or replace any part which, upon our examination, is defective in materials or workmanship, provided the product is delivered prepaid to the Waring Service Center, 314 Ella T. Grasso Ave., Torrington, CT 06790, or any factory-approved service center.

This warranty does not: a) apply to any product that has become worn, defective, damaged or broken due to use or due to repairs or servicing by other than the Waring Service Center or a factory-approved service center or due to abuse, misuse, overloading or tampering; b) cover incidental or consequential damages of any kind.

This warranty is applicable only to appliances used in the United States or Canada; this supersedes all other express product warranty or guaranty statements. For Waring products sold outside of the U.S. and Canada, the warranty is the responsibility of the local importer or distributor. This warranty may vary according to local regulations.

This warranty is void if appliance is used on Direct Current (DC).

ÍNDICE

Medidas de seguridad importantes	26
Instrucciones de puesta a tierra.....	28
Introducción	29
Piezas y características.....	30
Ensamblaje.....	32
Funcionamiento del aparato.....	36
Modo de empleo de los discos.....	40
Resolución de problemas	44
Limpieza y mantenimiento.....	45
Garantía.....	47

MEDIDAS DE SEGURIDAD IMPORTANTES

Al usar aparatos eléctricos, siempre debe tomar precauciones básicas de seguridad, incluso las siguientes:

1. **LEA TODAS LAS INSTRUCCIONES.**
2. **Desconecte el aparato cuando no está en uso, antes de instalar/sacar piezas, antes de vaciar el bol y antes de limpiarlo. Para desconectar el aparato, agarre el cable por la clavija; nunca jale el cable.**
3. **Desconecte el aparato antes de cualquier manipulación o mantenimiento.**
4. **Las cuchillas son muy filosas; manipúlelas con mucho cuidado.**
5. Como todo electrodoméstico, su robot de cocina Waring® Commercial debe usarse con mucha precaución. Aunque no se necesita mucha preparación para operar este aparato, solo debería ser usado por personas responsables y cuidadosas. No debe ser usado por o cerca de niños o personas con ciertas discapacidades.
6. Para reducir el riesgo de heridas, asegúrese de que el bol está debidamente ensamblado antes de instalar la cuchilla o el disco.
7. Para reducir el riesgo de herida grave o de daño al aparato, mantenga las manos y los utensilios alejados de la cuchilla

- o del disco durante el funcionamiento. Se puede usar una espátula de goma, siempre que el aparato esté apagado.
8. Para reducir el riesgo de descarga eléctrica, no coloque el bloque-motor en agua ni en ningún otro líquido.
 9. Evite el contacto con las piezas móviles. Nunca introduzca la mano en la boca de alimentación; siempre utilice el empujador.
 10. Espere hasta que el motor se haya detenido completamente antes de retirar la tapa.
 11. No utilice este aparato si el cable o el enchufe están dañados, después de un mal funcionamiento, después de que se haya caído o si está dañado; regréselo a un centro de servicio autorizado para su revisión, reparación o ajuste.
 12. El uso de accesorios no recomendados o vendidos por Waring Commercial presenta un riesgo de incendio, descarga eléctrica o heridas.
 13. No lo utilice en exteriores.
 14. No permita que el cable cuelgue del borde de la encimera o de la mesa, ni que tenga contacto con superficies calientes.
 15. Este aparato cuenta con la certificación “ETL” para uso comercial. Utilícelo únicamente con el propósito para el cual fue diseñado, según se describe en este manual de instrucciones.
 16. No intente forzar el mecanismo de enclavamiento/bloqueo de seguridad de la tapa.
 17. Asegúrese de que la tapa está debidamente cerrada antes de encender el aparato.
 18. En caso de mal funcionamiento durante el uso, tire el contenido del bol a la basura.
 19. Los niños o las personas que carezcan de la experiencia o de los conocimientos necesarios para manipular el aparato, o aquellas cuyas capacidades físicas, sensoriales o mentales estén limitadas, no deben utilizar el aparato sin la supervisión o la dirección de una persona responsable por su seguridad.
 20. No permita que los niños jueguen con este aparato.

GUARDE ESTAS INSTRUCCIONES APROBADO PARA USO COMERCIAL

INSTRUCCIONES DE PUESTA A TIERRA

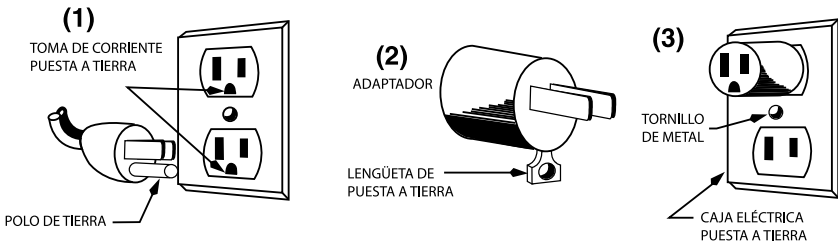
Para su protección, este aparato está equipado con un cable eléctrico con conductor de tierra.

Los aparatos de 120 V están equipados con clavija tripolar de conexión con tierra (NEMA 5-15P), la cual debe ser conectada a una toma de corriente puesta a tierra (Fig. 1).

Si una toma de corriente puesta a tierra no está disponible, se podrá usar un adaptador para conectar el aparato a una toma de corriente polarizada (Fig. 2).

El adaptador debe ser puesto a tierra mediante un tornillo de metal que conecte la lengüeta del adaptador a la placa de la toma de corriente (Fig. 3).

PRECAUCIÓN: antes de conectar el adaptador, asegúrese de que la toma de corriente está puesta a tierra. Si no está seguro/a, comuníquese con un electricista. Nunca use un adaptador sin estar seguro/a de que la toma de corriente está puesta a tierra.



NOTA: está prohibido usar adaptadores en Canadá.

INTRODUCCIÓN

Los robots de cocina Waring® Commercial son los aparatos más versátiles de su categoría. Equipados con el sistema hermético LiquiLock®, permiten procesar altas cantidades de líquido sin derrame y vaciar el bol sin tener que retirar la cuchilla. Estos aparatos profesionales son el resultado de 75 años de experiencia en la industria de la restauración y 75 años de experiencia en preparación culinaria.

El modelo WFP16SCD cuenta con las certificaciones “ETL” y “ETL Sanitation”.

El WFP16SCD está equipado con un bol hermético y una cuchilla hermética que permiten PICAR, MOLER, LICUAR y MEZCLAR. El sistema hermético LiquiLock® es un sistema patentado que permite procesar altas cantidades de líquido sin derrame. Su nueva procesadora de alimentos también incluye discos para triturar/rallar, rebanar y batir directamente en el bol hermético. El WFP16SCD también cuenta con un bol para procesado continuo que permite preparar grandes volúmenes de alimentos. Esta opción permite expulsar en otro recipiente todos los alimentos preparados con un disco. El WFP16SCD es el primer modelo de la serie LiquiLock® con un sistema para cortar en cubos, para máxima versatilidad.

Alta capacidad, potencia y comodidad

La boca de alimentación ancha permite procesar altas cantidades de alimentos más grandes, en menos tiempo. El árbol motor es sólido y duradero. El bloque-motor, el bol, la tapa y los empujadores, hechos de policarbonato, son resistentes y fáciles de limpiar. El bol y la tapa transparentes son prácticos y han sido diseñados para tolerar el uso intensivo de los profesionales, día tras día.

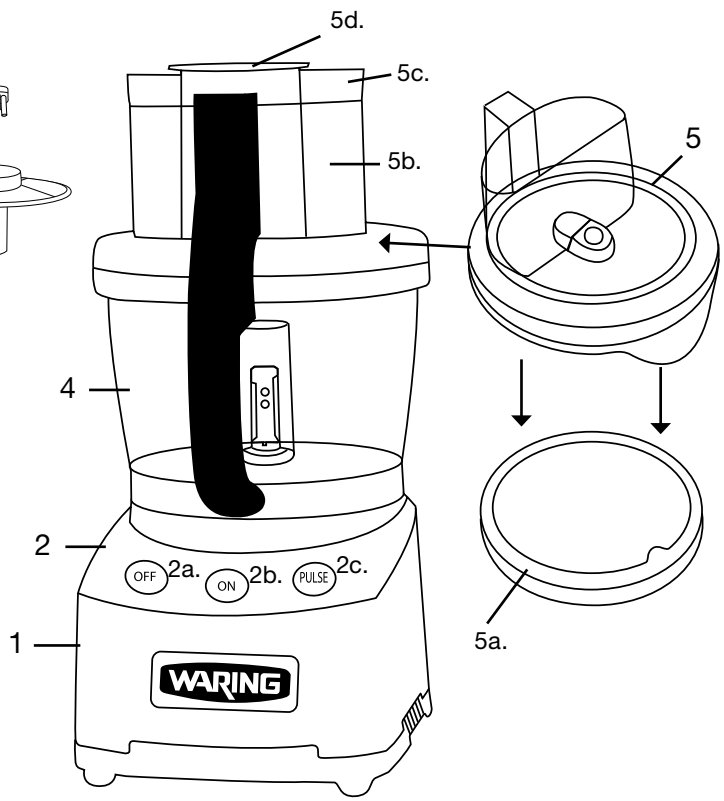
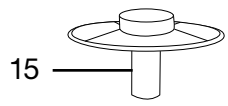
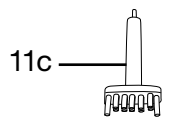
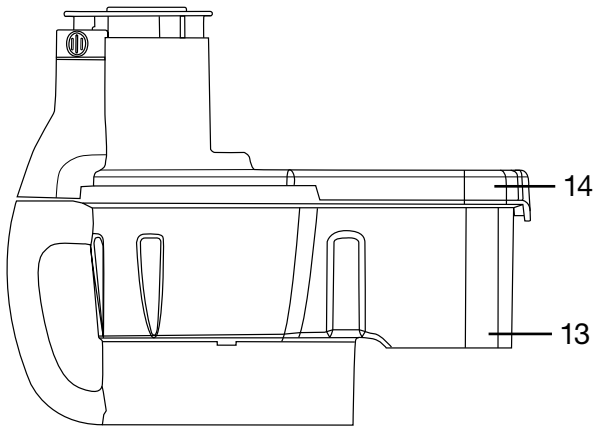
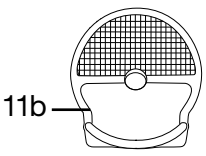
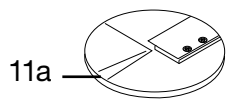
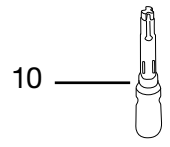
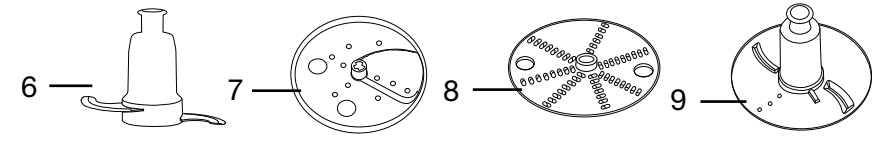
PIEZAS

El robot de cocina WFP16SCD de Waring® Commercial cuenta con las piezas y los accesorios siguientes:

1. Resistente base de fundición
 - a. Árbol del motor
2. Controles grandes y fáciles de leer
 - a. OFF (apagado)
 - b. ON (encendido)
 - c. PULSE (pulso)
3. Mecanismo de bloqueo de seguridad (no ilustrado). Impide que el aparato se ponga en marcha a menos que la tapa esté debidamente cerrada
4. Bol hermético transparente de 16 tazas (3.75 L)
5. Tapa a presión con sello hermético removible para una fácil limpieza
 - a. Sello hermético
 - b. Boca de alimentación grande para los alimentos grandes
 - c. Empujador grande para uso con la boca de alimentación grande
 - d. Empujador pequeño que encaja en el empujador grande, para los alimentos pequeños

Nota: el empujador pequeño encaja en el empujador grande, un sistema 2 en 1 que permite procesar una gran variedad de alimentos con máximo control y precisión.

6. Cuchilla hermética para picar, moler, hacer purés y mezclar. Evita las fugas y permanece en posición al vaciar el bol.
7. Disco rebanador ajustable (16 grosos)
8. Disco triturador reversible (triturador fino o grueso)
9. Disco batidor hermético
10. Adaptador removible para uso con el disco rebanador ajustable y el disco triturador/rallador reversible
11. Sistema para cortar en cubos
 - a. Disco rebanador de 10 mm
 - b. Rejilla para cortar en cubos de 10 mm x 10 mm
 - c. Herramienta de limpieza de la rejilla
12. Cepillo de limpieza (no ilustrado)
13. Bol para procesado continuo
14. Tapa del bol para procesado continuo
15. Disco eyector



ENSAMBLAJE DEL BOL REGULAR

Antes del primer uso:

- Limpie y desinfecte el bloque-motor. Lave, enjuague y desinfecte el bol, la tapa, los empujadores y los accesorios.
- Coloque el aparato sobre una mesa o una encimera, cerca de una toma de corriente. Posiciónelo de manera que los controles estén fácilmente accesibles. No enchufe el aparato hasta haber terminado de ensamblar todas las piezas.
- Sostenga el bol con ambas manos, de manera que el asa apunte hacia su cuerpo.
- Haga coincidir el árbol motor con el cilindro en el centro del bol e instale el bol sobre la base, cerciorándose de que el asa se encuentra ligeramente a la izquierda del centro.
- Presione el bol hasta que encaje con la plataforma circular del bloque-motor. Gírelo en sentido antihorario para sujetarlo. El bol se bloqueará cuando las anclas en el lado de la plataforma encajen con el mismo.

Instalación de la cuchilla o de disco batidor

- Sostenga la cuchilla/el disco por el eje de plástico; note la forma del eje, el cual ha sido diseñado para adaptarse al árbol motor.
- Haga coincidir el eje de la cuchilla/del disco con el árbol motor. Presione hacia abajo mientras gira la cuchilla/el disco. No debería encontrar resistencia. Presione con firmeza para bloquear la cuchilla/el disco y asegurar un sello hermético. Compruebe que esté bien asentado. de no ser así, podría dañarse y líquido podría derramarse. Los filos de la cuchilla son muy afilados; nunca los toque. Siempre sostenga la cuchilla por la parte de plástico.
- Asegúrese de que el accesorio está bien asentado, volteándolo de un lado a otro. La cuchilla debe encontrarse prácticamente en el fondo del bol.
- Si usted desea utilizar el aparato con la cuchilla o el disco batidor, puede agregar los ingredientes ahora.
- No pase la línea **“MAX LIQUID FILL”**. Una cantidad excesiva de líquido en el bol puede provocar un derrame. En caso de que esto suceda, apague el aparato y vacíe parcialmente el bol, hasta debajo de la marca **“MAX LIQUID FILL”**.

Instalación del disco rebanador o del disco triturador

Para instalar el disco rebanador ajustable (WFP16S10): quite la tapa. Instale el adaptador removible sobre el árbol motor. El disco rebanador ajustable permite elegir entre 16 grosores, de 1 mm a 6 mm. Elija el grosor deseado. Una vez fijado el grosor, coloque el disco sobre el adaptador. Cierre la tapa antes de encender el aparato.

Para instalar el disco triturador/rallador reversible (WFP16S12A): quite la tapa. Instale el adaptador removible sobre el árbol motor. El disco triturador/rallador reversible tiene dos lados: un lado que produce resultados finos, y otro que produce resultados gruesos. Coloque el disco sobre el adaptador, el lado que desea usar apuntando hacia arriba. Cierre la tapa antes de encender el aparato.

NUNCA INTENTE ENCENDER EL APARATO SI LA TAPA NO ESTÁ DEBIDAMENTE CERRADA.

Juego de empujadores 2 en 1

El juego de empujadores incluye dos empujadores: un empujador grande que cabe en la boca de alimentación y un empujador pequeño que cabe en el empujador grande. Elija el empujador deseado según su necesidad. Utilice el empujador grande para cortar las verduras grandes. Utilice el empujador pequeño para cortar los vegetales pequeños o delgados, o para tareas precisas, como cortar salchicha en rodajas. Introduzca el empujador pequeño en el centro del empujador grande. Introduzca el empujador grande en la boca de alimentación.

DESMONTAJE DEL BOL REGULAR

SIEMPRE DESENCHUFE EL APARATO ANTES DE DESENSAMBLARLO.

- Retire el empujador grande de la boca de alimentación. Retire el empujador pequeño del empujador grande.

Desmontaje de la cuchilla y del disco batidor

- Gire el bol en sentido horario para liberar las anclas. El asa debe encontrarse a mano izquierda para poder alzar el bol.

- Quite la tapa, presionando las patas de bloqueo en el asa del bol y alzando hacia arriba. El sello negro es fácil de quitar para limpiar.

Le aconsejamos que retire el bol del bloque-motor antes de retirar la cuchilla/el disco batidor.

NOTA: VACÍE EL BOL ANTES DE RETIRAR LA CUCHILLA O EL DISCO BATIDOR.

- Presione ligeramente la cuchilla/el disco mientras alza el bol; esto impedirá que los alimentos se derramen hacia el bloque-motor. **Vacíe el bol.** Para sacar la cuchilla o el disco batidor del bol, simplemente álcelo para romper el sello hermético. Los filos de la cuchilla son muy afilados; manipule esta con sumo cuidado.

Remoción de los discos

- Retire el disco antes de quitar el bol de la base.
- Sostenga el disco por los costados, entre dos dedos, y álcelo; Debería salir fácilmente. Si el disco queda pegado al adaptador, sostenga el disco – apuntando hacia su cuerpo – en una mano y jale el adaptador. teniendo cuidado de no cortarse.
- Gire el bol en sentido horario para liberar las anclas. El asa debe encontrarse a mano izquierda para poder alzar el bol.

ENSAMBLAJE DEL BOL PARA PROCESADO CONTINUO

- Antes de usar el aparato por primera vez: Limpie y desinfecte el bloque-motor. Lave, enjuague y desinfecte el bol, la tapa, el disco eyector, los empujadores y los accesorios.
- Coloque el aparato sobre una mesa o una encimera, cerca de una toma de corriente. Posiciónelo de manera que los controles estén fácilmente accesibles. Asegúrese de que el aparato está desconectado. No enchufe el aparato hasta haber terminado de ensamblar todas las piezas.
- Sostenga el bol con ambas manos. El conducto de salida debe encontrarse a 110 grados y el asa a 160 grados a la derecha. Haga coincidir el árbol motor con el cilindro ubicado en el centro del bol.
- Presione el bol hasta que encaje con la plataforma circular del bloque-motor. Gire en sentido antihorario hasta que encaje.

- Introduzca el disco eyector sobre el árbol motor. Debería prácticamente tocar el fondo del bol.
- Elija el disco deseado. **Conecte el disco al adaptador, según se describió en la sección “Instalación de los discos”.**
- Coloque la tapa sobre el bol para procesado continuo. Las anclas de la tapa deberían encontrarse a la izquierda de las anclas en el bol. Presione la tapa y gírela hasta que se bloquee. Esto evitará que se alce durante el procesado.
- Las anclas del bol coincidirán con las anclas del bloque-motor, lo que activará el sistema de seguridad magnético. Este importante mecanismo de seguridad impide que el aparato se ponga en marcha a menos que la tapa esté debidamente cerrada. Una vez cerrada la tapa, se podrá encender el aparato, oprimiendo el botón ON o PULSE.
- El sistema para cortar en cubos (WFP16S26) debe usarse con el bol para procesado continuo. No intente usarlo en el bol normal. Abra la tapa del bol para procesado continuo y cerciórese de que el disco eyector está debidamente instalado (véase las instrucciones de ensamblaje del bol más arriba). Posicione la rejilla para cortar en cubos sobre los soportes adentro del bol. Instale el disco rebanador sobre el árbol-motor, encima de la rejilla. Asegúrese de que el disco está debidamente instalado, girándolo ligeramente hasta que quede casi contra la rejilla. Cierre la tapa antes de encender el aparato. Para retirar el sistema para cortar en cubos, desconecte el aparato, gire el disco en sentido antihorario y álcelo, sosteniéndolo por los bordes. La hoja del disco es muy afilada. Tenga cuidado de no tocarla. Después, alce la rejilla para cortar en cubos.

NOTA: el sistema para cortar en cubos (WFP16S26) debe lavarse a mano. NO LAVE EL DISCO REBANADOR O LA REJILLA PARA CORTAR EN CUBOS EN EL LAVAVAJILLAS.

NUNCA INTENTE ENCENDER EL APARATO SI LA TAPA NO ESTÁ DEBIDAMENTE CERRADA.

- Introduzca el empujador pequeño en el centro del empujador grande. Introduzca el empujador grande en la boca de alimentación.
- Una vez ensamblado el bol para procesado continuo, coloque un recipiente bajo la boca de salida de los alimentos.

DESMONTAJE DEL BOL PARA PROCESADO CONTINUO

SIEMPRE DESENCHUFE EL APARATO ANTES DE DESENSAMBLARLO.

- Gire la tapa en sentido horario hasta desencajar las anclas.
- Retire el empujador grande de la boca de alimentación. Retire el empujador pequeño del empujador grande.
- Retire el bol del bloque-motor. Si la boca de salida está en el centro a mano derecha, solo necesitará alzarlo. Si no fuera el caso, gírelo en sentido horario para liberar las anclas en la plataforma del bloque-motor.
- Retire los accesorios con cuidado, ya que sus filos son muy afilados.

FUNCIONAMIENTO DEL APARATO

- Conecte el cable a una toma de corriente de 120 V (60 Hz).
- El aparato cuenta con tres botones de control.

Los dos controles son: ON (encendido)
OFF (apagado)
PULSE (pulso)

Modo de empleo de los botones:

- ON (encendido): Oprima este botón para encender el aparato.
- OFF (apagado): Oprima este botón para apagar el aparato.
- PULSE (pulso): Oprima el botón PULSE repetidamente para usar la función de pulso. El motor permanecerá encendido hasta que suelte el botón.

MODO DE EMPLEO

Encendido continuo

Oprima el botón ON.

Función de pulso

- Para utilizar la función de pulso, oprima el botón PULSE repetidamente. El motor permanecerá encendido hasta que suelte el botón.
- La función de pulso permite controlar la duración de cada pulsación y la frecuencia de las pulsaciones con precisión.
- La función de pulso permite controlar la consistencia de los alimentos que pica o licua con más precisión.
- También es conveniente para picar alimentos duros. Utilice la función de pulso para quebrar los alimentos, y luego termine de picarlos con la función de encendido continuo.
- Siempre utilice el botón PULSE para activar la función de pulso. Nunca intente controlar las pulsaciones moviendo el bol o la tapa; esto podría dañar el aparato.

Cómo apagar el aparato

- Siempre oprima el botón OFF para apagar el aparato esto cortará el suministro eléctrico del motor.
- Siempre apague el aparato y espere hasta que la cuchilla o el disco esté totalmente inmóvil antes de retirar la tapa.
- Aunque el sistema de seguridad apaga el aparato al girar o sacar la tapa, este método no debería usarse para apagar el aparato.
- Por seguridad, siempre oprima el botón OFF antes de abrir la tapa.

PREPARACIÓN DE LOS ALIMENTOS

- Lave todos los alimentos antes de procesarlos. Pele las frutas y los vegetales si es necesario. Quite las pepas, pepitas y semillas grandes.
- Corte los vegetales, la carne o el queso de manera que quepan en la boca de alimentación o a la talla deseada según el accesorio usado.

- Preparación para rebanar: Corte ambos lados de los alimentos largos como las zanahorias, los pepinos o el apio; esto mejorará la consistencia de las rodajas.

SELECCIÓN DEL EMPUJADOR

Puede introducir alimentos en la boca de alimentación durante el funcionamiento. Sin embargo, es preferible dejar el empujador grande en la boca de alimentación para evitar salpicaduras.

Empujador pequeño

El empujador pequeño sirve para empujar los alimentos introducidos verticalmente en el centro del empujador grande. Permite obtener pedazos más cortos. Por lo general, se usa para cortar en rodajas zanahorias, apio, salchicha seca y otros alimentos largos y finos.

Empujador grande

El empujador grande sirve para empujar alimentos introducidos horizontalmente en la boca de alimentación. Permite obtener pedazos más largos.

DISPOSITIVO DE PROTECCIÓN DEL MOTOR

Su aparato cuenta con un dispositivo de protección térmica que apaga automáticamente el motor en caso de recalentamiento.

En caso de que esto suceda, apague (“OFF”) y desenchufe el aparato. Vacíe el bol y tire los alimentos procesados. Permita que el motor se enfríe por 30 minutos.

Vuelva a conectar el aparato y hágalo funcionar, vacío, durante algunos segundos. Luego, llene el bol y continúe.

Si el aparato no funcionara debidamente después de seguir estos pasos, deje de usarlo y comuníquese con un centro de servicio autorizado.

UTILIZACIÓN DE LA CUCHILLA

- La cuchilla ha sido diseñada para picar, moler, hacer purés, mezclar, emulsionar, licuar y amasar.
- Ensamble el bol, según se describió en la sección “Ensamblaje del bol”.

Picar y moler

- Ponga los alimentos en el bol, sin pasar los $\frac{3}{4}$ del mismo.
- Para obtener resultados óptimos, utilice la función de pulso. Esto le permitirá controlar la consistencia de los alimentos con más precisión. Siga procesando hasta obtener la consistencia deseada.
- No utilice la función de encendido continuo, porque puede producir resultados irregulares (alimentos picados más fino en el fondo del recipiente).

Picar carne

Corte la carne en pedazos de 1 pulgada (2.5 cm) para obtener resultados más homogéneos. No pique más de 2 libras (910 g) de carne a la vez. Oprima el botón PULSE por un segundo 3 o 4 veces, esperando un segundo entre cada pulsación. Para obtener una textura más fina, procese continuamente por varios segundos. Si el aparato tiene dificultades para picar, saque un poco de carne del bol.

Picar/rallar queso duro

Corte el queso (bien refrigerado) en cubitos de aproximadamente 1 pulgada (2.5 cm) y póngalo en el bol, sin exceder la capacidad máxima de 2 libras (910 g). Utilice la función de pulso para conseguir pedacitos del tamaño de guisantes, y luego la función de encendido continuo hasta obtener un polvo fino. Obtendrá mejores resultados con los quesos secos. Los quesos más grasos suelen aglomerarse.

Picar cebolla, apio, col, etc.

Corte las cebollas en cuartos y las demás verduras en pedazos de 1 pulgada (2.5 cm). Ponga los pedazos en el bol, sin pasar la cumbre del cilindro de plástico.

Nota: no pique demasiado; esto producirá resultados irregulares o convertirá los alimentos que se encuentran en el fondo del bol en puré.

Licuar o mezclar

Para preparar puré de frutas o verduras, montar salsas o mezclar ingredientes líquidos, ponga los ingredientes en el bol y utilice la función de encendido continuo hasta obtener la consistencia

deseada. No descuide/deje el aparato sin vigilancia durante el funcionamiento.

Una cantidad excesiva de líquido en el bol puede provocar un derrame. En caso de que esto suceda, apague el aparato y vacíe parcialmente el bol.

No pase la línea “MAX LIQUID FILL”.

SELECCIÓN DEL DISCO

Los accesorios incluidos con su aparato son capaces de llevar a cabo una gran variedad de tareas de preparación. El modelo WFP16SCD incluye cuatro accesorios. En el momento de la impresión, se tratan de los accesorios siguientes:

WFP16S10 – Disco rebanador ajustable con 16 posiciones para 16 grosores, de 1 mm a 6 mm

WFP16S11 – Disco batidor hermético

WFP16S12A – Disco triturador reversible con rallado fino de un lado y rallado grueso del otro

WFP16S26 – Sistema para cortar en cubos de 10 mm x 10 mm

USO DEL DISCO REBANADOR

- Los accesorios que acompañan el WFP16SCD incluyen un disco rebanador ajustable que permite obtener rodajas/rebanadas/tajadas de 16 espesores diferentes, desde 1 mm hasta 6 mm. Elija el espesor deseado antes de instalar el disco sobre el árbol del motor. Tras haber elegido el espesor de las rodajas/rebanadas/tajadas e instalado el disco, cierre la tapa y retire el empujador.
- Lave todos los alimentos antes de procesarlos. Pele las frutas y los vegetales si es necesario. Quite las pepas, pepitas y semillas grandes. Corte los alimentos en pedazos más pequeños si fuera necesario. Corte ambos lados de los alimentos largos como las zanahorias, los pepinos o el apio.
- Quite el corazón de los vegetales como la col y la lechuga. Corte las coles/lechugas medianas en tres pedazos. Corte las coles/lechugas más grandes en cuatro pedazos.
- Tras haber preparado los alimentos, introdúzcalos en la boca de alimentación deseada, inserte el empujador y encienda el aparato.

- Nunca intente cortar queso suave en rodajas; solamente use queso duro. Puede rebanar Mozzarella, pero debe estar muy fría (aproximadamente 36°F/2°C).
- Vacíe el bol antes de que el queso alcance la capacidad máxima (“MAX LIQUID FILL LINE”).

USO DEL DISCO TRITURADOR

- Los accesorios que acompañan el WFP16SCD incluyen un disco triturador/rallador reversible, con un lado que produce resultados finos y otro que produce resultados medios. Instale el disco sobre el adaptador removible, con el lado que desea usar apuntando hacia arriba. Una vez instalado el disco, cierre la tapa y retire el empujador.
- Lave todos los alimentos antes de procesarlos. Pele las frutas y los vegetales si es necesario. Quite las pepas, pepitas y semillas grandes. Corte los alimentos en pedazos más pequeños si fuera necesario.
- Coloque los alimentos en la boca de alimentación deseada, horizontalmente para obtener pedazos largos, o verticalmente para obtener pedazos cortos.
- Nunca intente triturar queso suave; solamente use queso duro. Puede triturar Mozzarella, pero debe estar muy fría (aproximadamente 36°F/2°C). Siempre utilice la función de pulso para triturar queso.
- Vacíe el bol antes de que el queso alcance la capacidad máxima (“MAX LIQUID FILL LINE”).

USO DEL DISCO BATIDOR

- Los accesorios que acompañan el WFP16SCD incluyen un disco batidor hermético. Instale el disco (véase las instrucciones en la página 8) antes de agregar los alimentos.
- El disco batidor logra resultados rápidos, fácilmente. El disco batidor incorpora aire a la mezcla, haciendo que se expanda. Cerciórese de no pasar la línea “MAX FILL”; esto podría provocar derrames por la boca de alimentación. En caso de que esto suceda, apague el aparato y vacíe parcialmente el bol antes de continuar.

Para preparar crema batida, simplemente ponga crema líquida para batir y la esencia de su elección en el bol. Nota: No bata más de 6 tazas (1.4 L) de crema a la vez. Cierre la tapa. Presione el botón ON para empezar a batir y siga batiendo hasta obtener la consistencia deseada.

Para preparar mantequilla aromatizada, ponga crema líquida para batir y el condimento o las hierbas de su elección en el bol. Cierre la tapa. Presione el botón ON para empezar a batir y siga batiendo hasta que el suero se separe de la crema.

USO DEL SISTEMA PARA CORTAR EN CUBOS

- Cortar en cubos consiste en primero cortar los alimentos horizontalmente, y luego verticalmente. Obtener cubitos grandes es más fácil que obtener cubitos pequeños. Los alimentos suaves o jugosos suelen transformarse en puré al cortarse en cubos. El queso y la carne son alimentos difíciles de cortar en cubos. Por lo tanto, no se recomienda usar su robot de cocina para cortar carne o queso en cubos; esto podría dañar los discos y causar daños no cubiertos por la garantía.
- Preste atención a la forma de los cubitos durante el procesado. Desaloje los alimentos trabados en la rejilla antes de encender el aparato. Si la rejilla está sucia u obstruida, no producirá buenos resultados. Para limpiar la rejilla, apague el aparato, retire el disco rebanador y utilice la herramienta de limpieza provista para empujar los alimentos a través de la rejilla.
- Para cortar en cubos: Instale la rejilla sobre los soportes ubicados adentro del bol. Instale el disco rebanador sobre el árbol-motor, encima de la rejilla, de manera que quede casi contra esta. Utilice la función de pulso para obtener mejores resultados.
- Si el disco se trabara durante el uso, desconecte el aparato, abra la tapa, y luego gire el disco en sentido antihorario para aflojarlo. Vuelva a ensamblar el sistema para cortar en cubos antes de continuar.
- El sistema para cortar en cubos debe lavarse a mano.

USO DEL DISCO RALLADOR

Los discos ralladores Waring® Commercial son accesorios opcionales vendidos por separado. Para usarlos, siga las instrucciones a continuación.

- Lave todos los alimentos antes de procesarlos. Pele las frutas y los vegetales si es necesario. Quite las pepas, pepitas y semillas grandes. Corte los alimentos en pedazos más pequeños si fuera necesario.
- Nunca intente rallar queso suave; solamente use queso duro. Puede rallar Mozzarella, pero debe estar muy fría (aproximadamente 36°F/2 °C).
- Para evitar que el motor se sobrecaliente, se aconseja empujar, y luego soltar sucesivamente el empujador, hasta que el queso esté rallado. Rallar queso cansa el motor más que otras tareas. Por eso es preferible no ejercer presión continua.
- Esta procesadora puede rallar hasta 4.5 kg de queso en menos de 5 minutos.
- Permita que el aparato se enfríe después de 15 minutos de funcionamiento continuo.
- Permita que el aparato descanse por 5 minutos después de 5 minutos de funcionamiento continuo.
- Vacíe el bol antes de que el queso alcance la capacidad máxima (“MAX LIQUID FILL LINE”).

USO DEL DISCO PARA CORTAR EN JULIANA

Los discos para cortar en Juliana Waring® Commercial son accesorios opcionales vendidos por separado. Para usarlos, siga las instrucciones a continuación.

- Lave todos los alimentos antes de procesarlos. Pele las frutas y los vegetales si es necesario. Quite las pepas, pepitas y semillas grandes. Corte los alimentos en pedazos más pequeños si fuera necesario.
- Si desea cortar los alimentos (p. ej., los calabacines/ calabacitas) en tiritas largas, colóquelos horizontalmente en la boquilla. Si desea cortar los alimentos (p. ej., el apio o las cebollas) en tiritas cortas, colóquelos verticalmente en la boquilla. Para picar las cebollas muy fino, échelas en la boquilla mientras el aparato está en marcha, un cuarto a la vez.

Cómo vaciar el bol

1. Apague el aparato y espere hasta que la cuchilla esté completamente inmóvil antes de retirar la tapa.

2. Si el bol está bloqueado, sosténgalo por el asa y gírelo rápidamente de la derecha a la izquierda.
3. Si está usando un disco, retírelo antes de vaciar el bol. Si está usando la cuchilla, puede dejarla en el bol para vaciar este. Utilice una espátula para vaciar el bol. **NUNCA INTRODUZCA LOS DEDOS EN EL BOL SI LA CUCHILLA AÚN ESTÁ ADENTRO DEL MISMO.**

RESOLUCIÓN DE PROBLEMAS

Esta sección describe los problemas más comunes. Si esta lista no soluciona su problema, por favor comuníquese con su distribuidor local. Consulte la lista de los centros de servicio autorizados, provista con el aparato.

<p>El aparato no se enciende</p>	<ul style="list-style-type: none"> • Desconecte el aparato y enchúfelo en otra toma de corriente. • Asegúrese de que el bol está debidamente instalado, que la tapa está bien cerrada y que las anclas están encajadas. • Oprima el botón de encendido (“ON”).
<p>El aparato se apaga durante el uso</p>	<ul style="list-style-type: none"> • Puede que el motor haya sobrecalentado. Véase la sección “Dispositivo de protección del motor”. • Apague y desconecte el aparato. • Retire el bol del bloque-motor. • Vacíe el bol. • Permita que el aparato se enfríe por 30 minutos. • Vuelva a instalar el bol, cierre la tapa y haga funcionar el aparato, vacío, durante unos segundos antes de volver a llenar el bol.
<p>El aparato se atasca o vibra excesivamente</p>	<ul style="list-style-type: none"> • Apague y desconecte el aparato. • Desensamble el bol y los accesorios. • Cerciórese de que no hay alimentos trabados adentro del eje de la cuchilla (si usa la cuchilla). • Limpie el disco (si usa un disco). • Vuelva a instalar el bol, cierre la tapa y haga funcionar el aparato, vacío, durante unos segundos antes de volver a llenar el bol.
<p>El aparato no alcanza la velocidad máxima</p>	<ul style="list-style-type: none"> • Vacíe el bol e intente procesar menos alimentos a la vez.

<p>Si el aparato aún no funciona correctamente:</p>	<ul style="list-style-type: none"> • Averigüe que la toma de corriente está funcionando. • Averigüe que el disyuntor está encendido. • Averigüe que el fusible no está quemado. • Comuníquese con un centro de servicio autorizado.
<p>El aparato rechina</p>	<ul style="list-style-type: none"> • Apague y desconecte el aparato. Averigüe que la cuchilla no está tocando el bol. • Si la cuchilla está tocando el bol, comuníquese con el distribuidor local.
<p>Si nota que la hoja del disco se dobla durante el funcionamiento y/o produce resultados irregulares</p>	<ul style="list-style-type: none"> • Interrumpa el uso y tire el contenido del bol. No intente arreglar la hoja. Comuníquese con el centro de servicio Waring más cercano para obtener consejos y/o comprar un nuevo disco.

LIMPIEZA Y MANTENIMIENTO

Siempre desconecte el aparato cuando no está en uso, antes de instalar/sacar piezas y antes de limpiarlo. Limpie el aparato y todos los accesorios antes del primer uso y después de cada uso. No utilice detergentes abrasivos en ninguna parte del aparato. Manipule los discos y la cuchilla con sumo cuidado; sus filos son muy afilados.

1. Restriegue cuidadosamente el árbol motor con un cepillo pequeño.
2. Lave, enjuague, desinfecte y seque el bol, las tapas, el sello del bol, los empujadores, el bol para procesado continuo, los discos, la cuchilla y la herramienta de limpieza del sistema para cortar en cubos antes del primer uso y después de cada uso, a menos que los vuelva a utilizar inmediatamente.

NOTA: todas las piezas mencionadas anteriormente son aptas para lavavajillas, excepto el sistema para cortar en cubos

3. El disco y la rejilla del sistema para cortar en cubos (piezas 11a y 11b) deben lavarse a mano. Utilice la herramienta de limpieza del sistema para cortar en cubos (pieza 16) para desalojar los residuos de alimentos atrapados en la rejilla.
4. Para lavar a mano, utilice solamente detergentes en polvo

bajos en espuma y especialmente formulados para lavar la vajilla y los utensilios de cocina, tal como el detergente LF2100 de International Products Corp. Estos productos son disponibles en los proveedores de material para laboratorios, restaurantes y otros establecimientos de comida. Siga las instrucciones del fabricante.

Seque todos los accesorios antes de ensamblarlos otra vez. Restriegue la cuchilla y los discos con un cepillo duro antes de lavarlos. Si es necesario, restriegue los residuos difíciles y deje remojar las piezas antes de lavarlas.

ENJUAGUE

Use solamente agua para enjuagar.

DESINFECCIÓN

Utilice cloro regular, diluido en agua entre 50°F (10°C) y 120°F (50°C). La concentración de cloro no debe exceder 200 ppm (véase las instrucciones sobre las aplicaciones alimentarias sobre la etiqueta).

La proporción exacta de agua/cloro dependerá de la concentración de hipoclorito en el cloro. Proporciones para los productos más comunes:

- 5.25 % de hipoclorito: 3 cucharaditas (15 ml) de cloro por galón (3.8 L) de agua
- 8.25 % de hipoclorito: 2 cucharaditas (10 ml) de cloro por galón (3.8 L) de agua

Remoje las piezas en la solución desinfectante por 2 minutos (o rocíelas con ella).

SECADO

Escorra las piezas y permita que se sequen al aire.

Limpieza del bloque-motor

Limpie y desinfecte el bloque-motor antes del primer uso y después de cada uso. Desconecte el cable de la toma de corriente.

1. Para limpiar: limpie el cuerpo del aparato con un paño ligeramente humedecido.

2. Para desinfectar: restriegue el exterior de la jarra con un paño suave o una esponja empapada en solución desinfectante*. **NO SUMERJA LA BASE EN SOLUCIÓN LIMPIADORA, AGUA O SOLUCIÓN DESINFECTANTE.**

3. Permita que se seque al aire.

*Utilice solamente las soluciones desinfectantes recomendadas en este manual.

GARANTÍA LIMITADA

GARANTÍA LIMITADA DE CINCO AÑOS (MOTOR)

**GARANTÍA LIMITADA DE DOS AÑOS (MATERIALES Y MANO DE OBRA)
(válida en los EE.UU. y en Canadá solamente)**

Waring Commercial garantiza el motor de este aparato contra todo defecto de materiales o fabricación durante cinco años a partir de la fecha de compra, siempre que el aparato haya sido usado con alimentos, líquidos no abrasivos (a excepción de detergentes) y semilíquidos no abrasivos, y que no haya sido sujeta a cargas que excedan su máxima capacidad. Todas las otras piezas del aparato están garantizadas durante un período de dos años a partir de la fecha de compra.

Bajo esta garantía, Waring Commercial reparará o reemplazará toda pieza que, tras estar inspeccionada por nuestro servicio posventa, demuestre defectos de materiales o fabricación, siempre que el producto se regrese a un centro de servicio autorizado o se entregue con franqueo pagado a: 314 Ella T. Grasso Ave., Torrington, CT 06790.

Esta garantía: a) no se aplica a ningún producto desgastado, defectuoso, dañado o roto debido a uso, reparaciones/servicio realizados por personas no autorizadas, o abuso, mal uso, sobrecarga o daños intencionales; b) no cubre daños incidentales o consecuentes de ningún tipo.

Esta garantía es válida solamente para los aparatos comprados en los Estados Unidos y el Canadá y reemplaza todas las demás declaraciones expresas de garantía. La garantía de los productos Waring adquiridos fuera de los Estados Unidos y del Canadá es la responsabilidad del importador/distribuidor local. Los derechos de garantía pueden variar según las regulaciones locales.

Utilizar este aparato con corriente continua (C.C./DC) invalidará la garantía.

TABLE DES MATIÈRES

Importantes consignes de sécurité.....	48
Instructions de mise à la terre	50
Introduction	51
Pièces.....	52
Assemblage.....	54
Fonctionnement de l'appareil.....	59
Mode d'emploi des disques	63
Résolution de problèmes	67
Nettoyage et entretien	68
Garantie.....	70

IMPORTANTES CONSIGNES DE SÉCURITÉ

L'utilisation d'appareils électriques requiert la prise de précautions élémentaires, parmi lesquelles les suivantes :

1. **LIRE TOUTES LES INSTRUCTIONS.**
2. **Débrancher l'appareil après usage, avant d'installer ou de retirer des pièces, avant de vider le bol et avant le nettoyage. Saisir le cordon d'alimentation par la fiche pour le débrancher ; ne jamais tirer sur le cordon.**
3. Débrancher l'appareil avant toute manipulation ou entretien.
4. **Les lames sont très coupantes ; les manipuler avec précaution.**
5. Comme c'est le cas avec tout appareil ménager, il vous faudra être prudent lorsque vous utilisez le robot de cuisine Waring® Commercial. Bien que simple d'utilisation, ce robot ne devrait être utilisé que par des personnes vigilantes. Il ne devrait pas être utilisé par ou près d'enfants ou de personnes atteintes de certains handicaps.
6. Afin de prévenir tout risque de blessure, ne jamais installer le couteau ou les disques avant de vous être assuré que le bol est bien installé.
7. Tout contact avec le couteau ou le disque alors que l'appareil est en marche pourrait provoquer des blessures graves ou bien endommager l'appareil. Garder les mains et

les ustensiles éloignés des éléments en mouvement. Vous pouvez utiliser une spatule en plastique, mais seulement une fois l'appareil éteint.

8. Afin d'éviter les risques de choc électrique, ne jamais placer le socle dans l'eau ou tout autre liquide.
9. Éviter tout contact avec les éléments en mouvement. Ne jamais introduire la main ou les doigts dans l'entonnoir alors que l'appareil est en marche ; utiliser le poussoir.
10. Attendre que le moteur soit à l'arrêt avant de retirer le couvercle.
11. Ne pas utiliser l'appareil si le cordon d'alimentation ou la fiche sont endommagés, s'il ne fonctionne pas correctement, s'il est abîmé ou après qu'il soit tombé ; le renvoyer à un service après-vente autorisé afin qu'il soit inspecté, réparé ou réglé au besoin.
12. L'utilisation d'accessoires non recommandés ou vendus par Waring Commercial peut présenter un risque d'incendie, de choc électrique ou de blessure.
13. Ne pas utiliser l'appareil à l'air libre.
14. Ne pas laisser le cordon pendre au bord d'une table ou d'un plan de travail, ni entrer en contact avec des surfaces chaudes.
15. Cet appareil, agréé ETL, est à usage commercial. Ne l'utiliser que pour la préparation des aliments, tel que décrit dans ce manuel.
16. Ne pas essayer de forcer le mécanisme de verrouillage sécurité de l'appareil.
17. Vérifier que le couvercle est bien fermé avant de mettre l'appareil en marche.
18. En cas de mauvais fonctionnement de l'appareil pendant l'utilisation, jeter le contenu du bol.
19. Cet appareil ne devrait pas être utilisé par des enfants ou des personnes atteintes de certains handicaps physiques, mentaux ou sensoriels, ou qui ne disposent pas des connaissances ou de l'expérience nécessaires, à moins qu'une personne responsable de leur sécurité leur en ait expliqué le fonctionnement ou les encadre.
20. Veiller à ce que les enfants ne jouent pas avec l'appareil.

GARDER CES INSTRUCTIONS

USAGE COMMERCIAL AUTORISÉ

INSTRUCTIONS DE MISE À LA TERRE

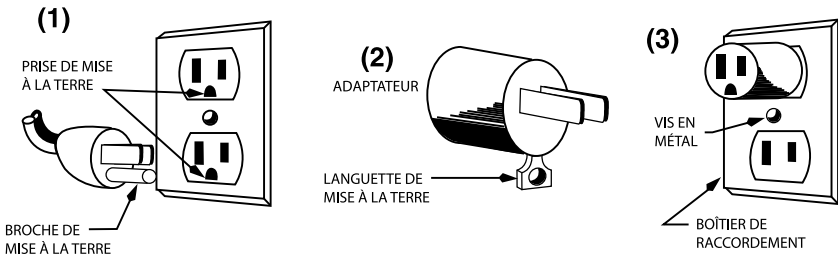
Pour votre protection, votre appareil est doté d'un cordon avec mise à la terre.

Les appareils de 120 V sont équipés d'une fiche NEMA 5-15P. La fiche doit être branchée dans une prise de terre correctement configurée (Fig. 1).

Vous pouvez utiliser un adaptateur temporaire (Fig. 2) pour brancher l'appareil dans une prise polarisée jusqu'à ce que vous fassiez installer une prise de terre par un électricien.

Afin d'assurer la mise à la terre, la languette de l'adaptateur doit être fixée au boîtier par une vis en métal (Fig. 3).

MISE EN GARDE : vérifier que le boîtier est mis à la terre avant d'utiliser l'adaptateur. En cas de doute, demander conseil à un électricien. Ne jamais utiliser un adaptateur, à moins qu'il ne soit correctement mis à la terre.



REMARQUE : l'utilisation d'adaptateurs est interdite au Canada.

INTRODUCTION

Les robots de cuisine Waring Commercial® sont les plus polyvalents de leur catégorie. Dotés du système d'étanchéité LiquiLock®, ils permettent de préparer de grands volumes de liquide sans fuite et de vider le bol sans avoir à retirer la lame. Ces appareils professionnels sont le fruit de 75 ans d'expérience dans la restauration et 75 ans d'expérience dans la préparation culinaire.

Le modèle WFP16SCD est agréé "ETL" et "ETL Sanitation".

Le WFP16SCD est équipé d'un bol hermétique et d'un couteau étanche permettant de HACHER, MOUDRE, RÉDUIRE EN PURÉE et MÉLANGER/MIXER. Le système d'étanchéité LiquiLock® est un système breveté qui permet de préparer de grands volumes de liquide, sans fuite. Votre nouveau robot de cuisine inclut également des disques pour émincer, trancher et battre directement dans le bol hermétique. Le WFP16SCD inclut également un bol à débit continu permettant de préparer de plus grandes quantité d'aliments à la fois. Cette option permet d'éjecter dans un autre récipient tous les aliments préparés à l'aide d'un disque. Le WFP16SCD est le premier modèle de la série LiquiLock® capable de couper en dés, faisant de lui le robot de cuisine LiquiLock® de plus polyvalent.

Haute capacité, puissance et commodité

L'entonnoir large permet de préparer une grande quantité d'aliments plus gros, en moindre temps. L'arbre moteur est solide et durable. Le socle-moteur, le bol, le couvercle et les poussoirs, faits en polycarbonate, sont résistants et faciles à nettoyer. Le bol et le couvercle transparents sont pratiques et conçus pour résister à l'usage intensif qu'en font les professionnels, jour après jour.

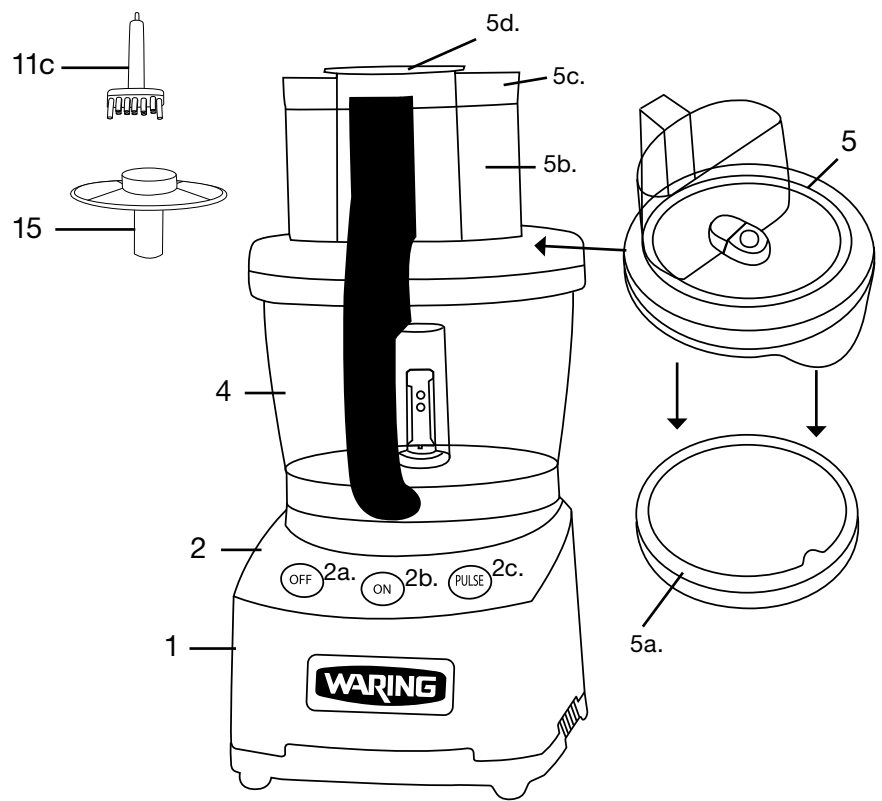
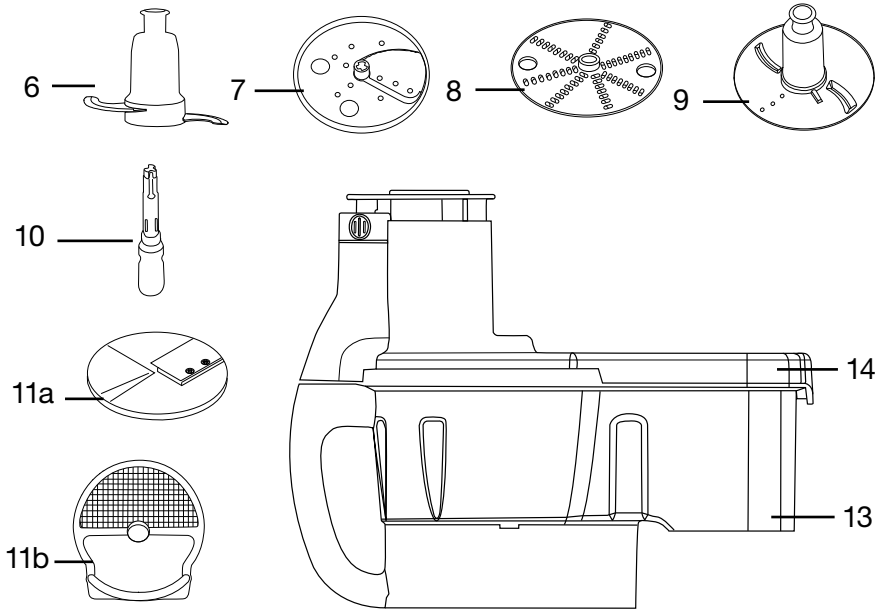
PIÈCES

Le robot de cuisine WFP16SCD de Waring® Commercial inclut les pièces et accessoires suivants :

1. Socle résistant moulé sous pression
 - a. Arbre du moteur
2. Boutons de contrôles grands et faciles à lire
 - a. OFF (arrêt)
 - b. ON (marche)
 - c. PULSE (pulse)
3. Mécanisme de verrouillage de sécurité (non illustré) Empêche l'appareil de se mettre en marche si le couvercle n'est pas bien fermé.
4. Récipient hermétique transparent de 16 tasses (3,75 L)
5. Couvercle à pression avec joint d'étanchéité amovible pour un nettoyage facile
 - a. Joint d'étanchéité
 - b. Grand entonnoir pour les gros aliments
 - c. Gros poussoir, pour utilisation avec l'entonnoir large
 - d. Petit poussoir s'emboîtant dans le gros poussoir, pour les petits aliments

Remarque : le petit poussoir s'emboîte dans le gros poussoir, un système 2 en 1 permettant préparer une grande variété d'aliments, fins ou gros, de manière précise et contrôlée.

6. Couteau étanche pour couper, hacher, réduire en purée et mélanger. Évite les fuites et reste en place lorsqu'on vide le bol.
7. Disque à trancher réglable (16 épaisseurs)
8. Disque à émincer réversible (résultats fins d'un côté, et gros de l'autre)
9. Disque à fouetter hermétique
10. Adaptateur amovible pour utilisation avec le disque à trancher réglable et le disque à émincer réversible
11. Système à découper en dés
 - a. Disque à trancher de 10 mm
 - b. Grille à découper en dés de 10 mm x 10 mm
 - c. Outil de nettoyage de la grille
12. Brosse de nettoyage (non illustrée)
13. Bol à débit continu
14. Couvercle du bol à débit continu
15. Disque éjecteur



ASSEMBLAGE DU BOL NORMAL

Avant la première utilisation:

- Nettoyer et désinfecter le socle. Laver, rincer et désinfecter le bol, le couvercle, l'entonnoir, les poussoirs et les accessoires.
- Placer l'appareil sur un plan de travail ou une table, à proximité d'une prise de courant, et de façon à faire face aux boutons de commande. Ne pas brancher l'appareil avant d'avoir terminé l'assemblage.
- Tenir le bol entre les deux mains, la poignée face à vous.
- Aligner l'arbre du moteur avec le cylindre qui se trouve au centre du bol, de façon à ce que la poignée se trouve légèrement à gauche du centre.
- Enfoncer le bol sur le socle, et le tourner dans le sens inverse des aiguilles d'une montre jusqu'à ce qu'il se bloque.

Installation du couteau ou du disque à fouetter

- Tenir le couteau/disque par la partie en plastique ; noter son axe, conçu pour s'emboîter sur l'arbre du moteur.
- Aligner l'axe du couteau/disque à fouetter avec celui du moteur. Enfoncer, en tournant légèrement jusqu'à ce que le couteau/disque s'emboîte. Vous ne devriez pas rencontrer de résistance. Pousser fermement pour bloquer et assurer l'étanchéité du couteau/disque. Vérifier qu'il est bien enfoncé. S'il ne l'était pas, il pourrait s'endommager et provoquer des fuites. Ne jamais toucher le couteau, celui-ci étant très aiguisé ; toujours le tenir par la partie plastique.
- Vérifier que le couteau/disque est bien engagé, en le faisant pivoter d'avant en arrière. La lame inférieure du couteau devrait pratiquement toucher le fond du bol.
- Si vous souhaitez utiliser l'appareil avec le couteau ou le disque à fouetter, vous pouvez maintenant mettre les ingrédients dans le bol.
- Ne pas dépasser la ligne "**MAX LIQUID FILL LINE**". Si les ingrédients liquides débordent, c'est que le bol est trop rempli. Si cela se produisait, arrêter l'appareil, puis vider partiellement le bol (jusqu'à en dessous de la ligne de remplissage maximum) avant de continuer.

Installation du disque à trancher ou du disque à émincer

Pour installer le disque à trancher réglable (WFP16S10) : retirer le couvercle. Enfoncer l'adaptateur amovible sur l'arbre du moteur. Le disque à trancher réglable permet d'obtenir des tranches de 16 épaisseurs différentes, de 1 mm à 6 mm. Régler le disque sur l'épaisseur voulue. Une fois l'épaisseur réglée, installer le disque sur l'adaptateur. Fermer le couvercle avant de mettre l'appareil en marche.

Pour installer le disque à émincer (WFP16S12A) : retirer le couvercle. Enfoncer l'adaptateur amovible sur l'arbre du moteur. Le disque réversible a deux côtés : un côté qui produit des résultats fins, et l'autre qui produit des gros résultats. Installer le disque sur l'adaptateur, le côté que vous souhaitez utiliser vers le haut. Fermer le couvercle avant de mettre l'appareil en marche.

NE JAMAIS ESSAYER DE METTRE L'APPAREIL EN MARCHÉ ALORS QUE LE COUVERCLE N'EST PAS BIEN FERMÉ.

Poussoir 2 en 1

Cet appareil est doté de deux poussoirs : un gros poussoir qui s'emboîte directement dans l'entonnoir, et un petit poussoir qui s'emboîte dans le gros poussoir. Choisir le poussoir désiré. Utiliser le gros poussoir pour les gros légumes. Utiliser le petit poussoir pour les aliments requérant une coupe plus précise, comme par exemple les petits légumes, les légumes fins ou les saucisses. Introduire le petit poussoir au centre du gros poussoir. Introduire le gros poussoir dans l'entonnoir.

DÉSASSEMBLAGE DU BOL NORMAL

TOUJOURS DÉBRANCHER L'APPAREIL AVANT DE LE DÉSASSEMBLER.

- Retirer le gros poussoir de l'entonnoir. Ensuite, retirer le petit poussoir du gros poussoir.

Désassemblage du couteau ou du disque à fouetter

- Tourner le bol dans le sens des aiguilles d'une montre pour libérer les pattes de verrouillage ; La poignée du bol devrait se trouver du côté gauche. Soulever alors le bol.

- Retirer le couvercle en appuyant sur les pattes de verrouillage qui se trouvent sur la poignée et un tirant le couvercle vers le haut. Le joint d'étanchéité noir peut se retirer facilement pour le nettoyage.

Il est conseillé de retirer le bol du socle-moteur avant d'enlever le couteau ou le disque à fouetter.

REMARQUE : VIDER LE BOL AVANT DE RETIRER LE COUTEAU OU LE DISQUE À FOUETTER.

- Appuyer sur la partie plastique du couteau/disque tout en soulevant le bol pour le maintenir en place ; cela évitera que les aliments dégoulinent sur le socle-moteur ou votre plan de travail. Vider le bol. Pour retirer le couteau ou le disque à fouetter du bol, le soulever. Manipuler le couteau avec précaution ; les lames sont très aiguisées.

Désassemblage des disques

- Toujours retirer le disque *avant* de retirer le bol.
- Prendre le disque par les bords, entre deux doigts, et le soulever ; Il devrait se dégager sans problème. Si le disque reste fixé à l'adaptateur, tenir le disque dans une main, face à vous, et tirer sur l'adaptateur dans la direction opposée, en prenant garde de ne pas toucher les lames ou les râpes.
- Tourner le bol dans le sens des aiguilles d'une montre pour libérer les pattes de verrouillage ; la poignée du bol devrait se trouver du côté gauche. Soulever alors le bol.

ASSEMBLAGE DU BOL À DÉBIT CONTINU

- Nettoyer et désinfecter le socle. Laver, rincer et désinfecter le bol, le couvercle, l'entonnoir, les poussoirs et les accessoires avant d'utiliser l'appareil pour la première fois.
- Placer l'appareil sur un plan de travail ou une table, à proximité d'une prise de courant, et de façon à faire face aux boutons de commande. Vérifier que l'appareil est débranché. Ne pas brancher l'appareil avant d'avoir terminé l'assemblage.
- Tenir le bol entre les deux mains, de façon à ce que la bouche de sortie se trouve à 110°, et la poignée à 160° vers la droite. Placer le bol sur le socle-moteur, en alignant l'arbre du moteur avec le trou au centre du bol.

- Enfoncer le bol sur le socle-moteur jusqu'à ce que la base du bol recouvre le plateau du socle-moteur. Tourner dans le sens inverse des aiguilles d'une montre jusqu'à ce qu'il se bloque.
- Glisser le disque éjecteur sur l'arbre du moteur et l'enfoncer jusqu'au fond du bol.
- Choisir le disque voulu. **Installer le disque selon des instructions de la section "Assemblage du bol"**.
- Mettre le couvercle sur le bol. Les pattes de verrouillage du couvercle devraient se trouver à gauche de celles du bol. Appuyer sur le couvercle et tourner jusqu'à ce qu'il se bloque. Cela évitera que le couvercle se soulève pendant l'utilisation.
- Les pattes de verrouillage du couvercle se glisseront dans les pattes de blocage du bol et engageront le système de verrouillage de sécurité magnétique. Ce dernier empêche l'appareil de fonctionner quand le couvercle n'est pas bien fermé. Une fois le couvercle en position, mettre l'appareil en marche en utilisant la fonction continue (ON) ou "pulse" (OFF/PULSE).
- Le système à découper en dés (WFP16S26) doit s'utiliser avec le bol à débit continu. Ne pas essayer de l'utiliser dans le bol normal. Retirer le couvercle du bol à débit continu et s'assurer que le disque éjecteur est bien en place (voir les instructions d'assemblage du bol à débit continu ci-dessus). Placer la grille à découper en dés sur les supports à l'intérieur du bol à débit continu. Installer le disque à trancher de 9.5 mm sur l'arbre-moteur, au-dessus de la grille à découper en dés. S'assurer que le disque est bien en place en le faisant tourner légèrement jusqu'à ce qu'il se trouve presque contre la grille. Fermer le couvercle avant de mettre l'appareil en marche. Pour démonter le système à découper en dés, débrancher l'appareil, faire tourner le disque à trancher dans le sens contraires aux aiguilles d'une montre et le soulever en le tenant par les bords. Faire attention de ne pas toucher la lame. Celle-ci est très aiguisée. Ensuite, soulever la grille à découper en dés. **REMARQUE : le système à découper en dés (WFP16S26) doit être lavé à la main uniquement. NE PAS LAVER LE DISQUE À TRANCHER OU LA GRILLE À DÉCOUPER EN DÉS AU LAVE-VAISSELLE.**

NE JAMAIS ESSAYER DE METTRE L'APPAREIL EN MARCHE ALORS QUE LE COUVERCLE N'EST PAS BIEN FERMÉ.

- Introduire le petit poussoir au centre du gros poussoir. Introduire le gros poussoir dans l'entonnoir.
- Une fois le bol à débit continu assemblé, mettre un récipient sous la bouche de sortie.

DÉSASSEMBLAGE DU BOL À DÉBIT CONTINU

TOUJOURS DÉBRANCHER L'APPAREIL AVANT DE LE DÉSASSEMBLER.

- Tourner le couvercle dans le sens des aiguilles d'une montre pour désengager le mécanisme de verrouillage de sécurité et débloquer les pattes.
- Retirer le gros poussoir de l'entonnoir. Ensuite, retirer le petit poussoir du gros poussoir.
- Retirer le bol du socle-moteur. Si la bouche de sortie est à droite du centre, il suffit de le soulever. Si ce n'est pas le cas, tourner le bol dans le sens des aiguilles d'une montre pour déverrouiller les pattes.
- Retirer les accessoires avec précaution. Les lames sont très aiguisées.

FONCTIONNEMENT DE L'APPAREIL

- Brancher l'appareil dans une prise électrique de 120 V (60 Hz).
- Les boutons de commande se trouvent face à vous.

Les trois boutons

de commande sont : ON (marche)
OFF (arrêt)
PULSE (pulse)

Mode d'emploi
des boutons :

- ON (marche) : Appuyer sur ce bouton pour mettre l'appareil en marche continue.
- OFF (arrêt) : Appuyer sur ce bouton pour arrêter l'appareil.
- PULSE (pulse) : Appuyer, puis relâcher le bouton PULSE pour utiliser le mode "pulse". Le moteur continuera à tourner aussi longtemps que vous appuierez sur le bouton et s'arrêtera lorsque vous le relâcherez.

INSTRUCTIONS

Mode continu

Pour utiliser l'appareil en mode continu, appuyer sur le bouton ON.

Fonction "pulse"

- Pour utiliser la fonction pulse, appuyer sur le bouton PULSE à plusieurs reprises. Le moteur continuera à tourner aussi longtemps que vous appuierez sur le bouton et s'arrêtera lorsque vous le relâcherez.
- La fonction "pulse" permet de contrôler la durée de chaque pulsation et la fréquence des pulsations avec précision.
- La fonction "pulse" permet de contrôler la consistance des aliments que vous hachez ou mélangez/mixez avec précision.

- La fonction “pulse” est aussi pratique pour hacher/moudre les aliments durs. Utiliser la fonction “pulse” pour broyer les aliments. Terminer de hacher en mode continu.
- Toujours utiliser le bouton PULSE pour contrôler les pulsations. Ne jamais essayer de les contrôler en bougeant le bol ou le couvercle ; cela pourrait endommager l'appareil.

Arrêt de l'appareil

- Toujours utiliser le bouton OFF pour éteindre l'appareil ; cela coupera le courant qui alimente le moteur.
- Éteindre l'appareil et attendre que le couteau soit complètement immobile avant d'ouvrir le couvercle.
- Le mécanisme de verrouillage sécurité arrêtera l'appareil si vous tournez ou enlevez le couvercle. Toutefois, ne vous servez pas de cette méthode pour arrêter l'appareil.
- Par précaution, toujours appuyer sur le bouton OFF avant d'ouvrir le couvercle.

PRÉPARATION DES ALIMENTS

- Laver et peler les aliments si nécessaire. Enlever les queues, les pépins et les noyaux.
- Couper les fruits, les légumes, le fromage ou la viande de façon à ce que les morceaux entrent dans l'entonnoir, ou à la taille désirée selon l'accessoire utilisé.
- Aliments à couper en rondelles ou en tranches : couper les deux bouts des aliments tels que les carottes, les concombres, le céleri, etc. ; vous obtiendrez ainsi de plus belles rondelles.

CHOIX DU POUSSOIR

Il est possible d'introduire des aliments dans l'entonnoir alors que l'appareil est en marche. Toutefois, il est recommandé de laisser le gros poussoir en place pour éviter les éclaboussures.

Petit poussoir

Le petit poussoir sert généralement à pousser les aliments introduits à la verticale dans la goulotte au centre du gros poussoir. Il permet d'obtenir des morceaux plus petits. Il s'utilise

typiquement pour couper les carottes, le céleri ou les saucisses en rondelles fines et uniformes.

Gros poussoir

Le gros poussoir sert à pousser les aliments introduits à l'horizontale dans l'entonnoir. Il permet d'obtenir des morceaux plus longs.

DISPOSITIF DE PROTECTION DU MOTEUR

Cet appareil est équipé d'un dispositif de protection thermique qui arrête le moteur automatiquement en cas de surchauffe.

Si cela se produisait, arrêter (OFF) et débrancher l'appareil. Vider le bol et jeter le contenu. Laisser le moteur refroidir pendant 30 minutes.

Rebrancher l'appareil. Continuer.

Si l'appareil ne fonctionne pas comme il se doit, cesser l'utilisation et contacter un service après-vente autorisé.

UTILISATION DU COUTEAU

- Le couteau est conçu pour hacher, broyer, réduire en purée, mixer et pétrir.
- Installer le couteau, comme indiqué dans la section "Assemblage du bol", avant de mettre les ingrédients dans le bol.

Hacher ou émincer

- Placer les ingrédients dans le bol, sans dépasser les $\frac{3}{4}$ de la hauteur de ce-dernier.
- Pour obtenir de meilleurs résultats, utiliser la fonction "pulse" ; cela vous permettra de contrôler la consistance des aliments avec plus de précision. Continuer jusqu'à obtention de la consistance désirée.
- L'utilisation du mode continu pour broyer ou hacher pourrait produire des résultats irréguliers (les ingrédients au fond du bol sont broyés plus finement).

Hacher de la viande

Pour obtenir des résultats homogènes, couper la viande en morceaux de 1 po. (2,5 cm). Ne pas hacher plus de 2 lb (910 g) de viande à la fois. Presser le bouton PULSE 3 ou 4 fois de suite, à un rythme d'une seconde entre chaque pulsation. Pour obtenir une texture plus fine, utiliser le mode continu (ON) pendant quelques secondes. Si l'appareil a du mal à hacher, retirer un peu de viande et continuer.

Râper/réduire en poudre du fromage dur

Couper le fromage (bien réfrigéré) en cubes de 1 po. (2,5 cm) et placer les morceaux dans le bol, sans dépasser la capacité maximale de 2 lb (910 g). Utiliser la fonction "pulse" pour râper le fromage et terminer avec le mode continu pour le réduire en poudre. Vous obtiendrez de meilleurs résultats avec des fromages secs. ; les fromages plus gras ont tendance s'empâter.

Hacher des oignons, du céleri, du chou etc.

Couper les oignons en quartiers et les autres légumes en morceaux de 1 po. (2,5 cm). Placer les morceaux dans le bol, sans dépasser le haut du cylindre en plastique. Utiliser la fonction "pulse" jusqu'à obtention de la consistance désirée.

Remarque : ne pas trop hacher ; cela peut produire des résultats irréguliers ou réduire les ingrédients qui se trouvent au fond du bol en purée.

Réduire en purée ou mixer

Pour réduire fruits et légumes en purée, émulsionner une sauce ou mixer, mettre les ingrédients dans le bol et utiliser le mode continu jusqu'à obtention de la consistance désirée. Ne pas laisser l'appareil sans surveillance pendant le fonctionnement. Si les ingrédients liquides débordent, c'est que le bol est trop rempli. Si cela se produisait, arrêter l'appareil, puis vider partiellement le bol avant de continuer.

Ne pas dépasser la ligne de remplissage maximum (" MAX LIQUID FILL LINE").

CHOIX DU DISQUE

Les accessoires inclus avec votre appareil sont capables de réaliser un grand nombre de tâches de préparation. Le modèle WFP16SC inclut quatre accessoires. Au moment de l'impression, il s'agit des accessoires suivants :

WFP16S10 – Disque à trancher réglable (16 positions pour 16 épaisseurs, de 1 mm à 6 mm)

WFP16S11 – Disque à fouetter hermétique

WFP16S12A – Disque à émincer réversible avec un côté qui produit des résultats fins, et l'autre qui produit des gros résultats

WFP16S26 – Système à découper en dés de 10 mm x 10 mm

UTILISATION DU DISQUE À TRANCHER

- Les accessoires inclus avec le WFP16SCD comprennent un disque à trancher réglable permettant d'obtenir des tranches de 16 épaisseurs différentes, de 1 à 6 mm ! Régler l'épaisseur désirée avant d'installer le disque sur l'arbre du moteur. Une fois l'épaisseur des tranches réglée et le disque installé, fermer le couvercle et retirer le poussoir.
- Laver et peler les aliments si nécessaire. Enlever les queues, les pépins et les noyaux. Couper les aliments en morceaux si nécessaire. Couper les deux bouts des aliments tels que les carottes, les concombres, le céleri, etc. ; vous obtiendrez ainsi de plus belles rondelles.
- Retirer le cœur des légumes tels que le chou et la laitue. Les choux/laitues de taille moyenne devront être coupés en trois pour rentrer dans l'entonnoir. Les choux/laitues plus gros devront être coupés en quatre.
- Après avoir préparé les aliments, les introduire dans l'entonnoir voulu, introduire le poussoir dans l'entonnoir et allumer l'appareil.
- Ne pas essayer de couper en tranches du fromage mou ; utiliser du fromage dur uniquement. La Mozzarella peut être coupée en tranche, mais seulement si elle est très froide (environ 36°F/2°C).
- Vider le bol une fois que la capacité maximale ("MAX LIQUID FILL LINE") est atteinte.

UTILISATION DU DISQUE À ÉMINCER

- Les accessoires inclus avec le WFP16SCD comprennent un disque à émincer réversible. Un côté du disque produit des résultats fins, l'autre moyens. Installer le disque de façon à ce que le côté que vous souhaitez utiliser soit vers le haut. Une fois le disque installé, fermer le couvercle et retirer le poussoir.
- Laver et peler les aliments si nécessaire. Enlever les queues, les pépins et les noyaux. Couper les aliments en morceaux si nécessaire.
- Placer les aliments dans l'entonnoir désiré : horizontalement pour obtenir des longs bouts ; verticalement pour obtenir des petits bouts.
- Ne pas essayer d'émincer du fromage mou ; utiliser du fromage dur uniquement. La Mozzarella peut être émincée, mais seulement si elle est très froide (environ 36°F/2°C). Toujours utiliser la fonction "pulse" pour émincer le fromage.
- Vider le bol une fois que la capacité maximale ("MAX LIQUID FILL LINE") est atteinte.

UTILISATION DU DISQUE À FOUETTER

- Les accessoires inclus avec le WFP16SCD comprennent un disque à fouetter hermétique. Assembler le disque (voir les instructions en page 8) avant de mettre les ingrédients dans le bol.
- Le disque à fouetter est facile à utiliser et offre des résultats rapides. Le disque à fouetter aère la mixture, et fait que le mélange se dilate. Veiller à ne pas remplir le bol au-delà de la ligne de remplissage maximum ("MAX LIQUID FILL LINE") ; cela pourrait provoquer des fuites par l'entonnoir. Si cela se produisait, arrêter l'appareil, puis vider partiellement le bol avant de continuer.

Pour préparer de la crème fouettée, verser simplement la crème dans le bol et ajouter l'arôme de votre choix. Remarque : ne pas fouetter plus de 6 tasses (1,4 L) de crème à la fois. Fermer le couvercle. Appuyer sur le bouton ON pour commencer à fouetter et fouetter jusqu'à obtention de la consistance voulue.

Pour faire du beurre aromatisé, verser de la crème dans le bol et assaisonner à votre goût. Fermer le couvercle. Appuyer sur

le bouton ON pour commencer à fouetter et fouetter jusqu'à ce que le liquide se sépare de la crème.

UTILISATION DU SYSTÈME À DÉCOUPER EN DÉS

- Couper en dés consiste à d'abord couper les ingrédients verticalement, puis horizontalement. Il est plus facile d'obtenir des gros dés que des petits dés. Les ingrédients mous ou juteux ont tendance à se réduire en purée lorsqu'on les coupe en dés. Les exceptions à cette règle sont la viande et le fromage, qu'il est déconseillé d'essayer de couper en dés ; cela pourrait endommager les lames ou le moteur, provoquant une panne non couverte par la garantie.
- Prêter attention à la forme des dés pendant le fonctionnement. Dégager les aliments coincés dans la grille avant de mettre l'appareil en marche. Si la grille est obstruée, elle ne formera pas de beaux dés. Pour nettoyer la grille, débrancher l'appareil, retirer le couvercle et le disque à couper en tranche, puis utiliser l'outil de nettoyage inclus pour pousser les aliments au travers de la grille.
- Pour couper en dés : Installer la grille sur les supports qui se trouvent à l'intérieur du bol. Installer le disque à trancher sur l'arbre-moteur, au-dessus de la grille, de manière qu'il se trouve presque contre cette-dernière. Utiliser la fonction "pulse" pour obtenir de meilleurs résultats.
- Si le disque s'enraye pendant l'utilisation, débrancher l'appareil, retirer le couvercle, puis tourner le disque dans le sens inverse des aiguilles d'une montre pour le dégager. Réassembler le système à découper en dés avant de continuer.
- Le système à découper en dés doit être lavé à la main uniquement.

UTILISATION DU DISQUE À RÂPER

Les disques à râper Waring® Commercial sont en option et sont vendus séparément. Suivre les instructions ci-dessous pour les utiliser.

- Laver et peler les aliments si nécessaire. Enlever les queues, les pépins et les noyaux. Couper les aliments en morceaux si nécessaire.
- Ne pas essayer de râper du fromage mou ; utiliser du

fromage dur uniquement. La Mozzarella peut être râpée, mais seulement si elle est très froide (environ 36°F/2°C).

- Pour éviter que le moteur ne surchauffe, il est conseillé d'appuyer puis de relâcher le poussoir tour à tour jusqu'à ce que le fromage soit complètement râpé. Éviter de faire pression continuellement sur le fromage ; cela pourrait faire surchauffer le moteur.
- Le robot de cuisine est capable de râper jusqu'à 4,5 kg de fromage en approximativement 5 minutes.
- Après 15 minutes d'utilisation continue, laisser l'appareil refroidir.
- Il est conseillé de laisser reposer l'appareil pendant 5 minutes après 5 minutes d'utilisation.
- Vider le bol une fois que la capacité maximale ("MAX LIQUID FILL LINE") est atteinte.

UTILISATION DU DISQUE À JULIENNE

Les disques à Julienne Waring® Commercial sont en option et sont vendus séparément. Suivre les instructions ci-dessous pour les utiliser.

- Laver et peler les aliments si nécessaire. Enlever les queues, les pépins et les noyaux. Couper les aliments en morceaux si nécessaire.
- Pour couper les aliments (par exemple les courgettes) en bâtonnets longs, coucher les aliments horizontalement dans l'entonnoir. Pour couper les aliments (par exemple le céleri ou les oignons) en bâtonnets fins, placer les aliments debout dans l'entonnoir. Pour couper les oignons très fins, les jeter dans l'entonnoir alors que l'appareil est en marche, un quart à la fois.

Comment vider le bol

1. Éteindre l'appareil et attendre que la lame soit complètement immobile avant d'ouvrir le couvercle.
2. Retirer le bol du socle-moteur. S'il est bloqué, le tenir par la poignée et le bouger rapidement de droite à gauche.
3. Si vous utilisez un disque, le retirer avant de vider le bol. Si vous utilisez le couteau, il restera en place lorsque vous viderez le bol. Vider le bol à l'aide d'une spatule.

NE PAS INTRODUIRE LES DOIGTS DANS LE BOL SI LE COUTEAU Y EST.

RÉSOLUTION DE PROBLÈMES

Vous trouverez dans cette section la solution aux problèmes les plus courants. Si cette liste ne solutionne pas votre problème, veuillez contacter un service après-vente autorisé. Consulter la liste des services après-vente autorisés, fournie avec votre appareil.

L'appareil ne se met pas en marche	<ul style="list-style-type: none">• Débrancher l'appareil et le brancher dans une autre prise de courant.• Vérifier que le bol est bien en place, que le couvercle est bien fermé et que les pattes de verrouillage du couvercle sont bien engagées.• Appuyer sur le bouton ON.
L'appareil s'arrête pendant l'utilisation	<ul style="list-style-type: none">• Il se peut que le moteur ait surchauffé. Voir la section "Dispositif de protection du moteur".• Éteindre et débrancher l'appareil.• Retirer le bol du socle.• Vider le bol.• Laisser l'appareil refroidir pendant 30 minutes.• Remettre le bol sur le socle-moteur, refermer le couvercle et faire fonctionner l'appareil à vide avant de le remplir à nouveau.
L'appareil s'enraye ou vibre excessivement	<ul style="list-style-type: none">• Éteindre et débrancher l'appareil.• Démonter le bol et les accessoires.• Vérifier que des aliments ne soient pas coincés dans la tige du couteau (si vous utilisez le couteau).• Nettoyer le disque (le cas échéant).• Remettre le bol sur le socle-moteur, refermer le couvercle et faire fonctionner l'appareil à vide avant de le remplir à nouveau.
L'appareil n'atteint pas la vitesse maximale	<ul style="list-style-type: none">• Le bol est trop chargé ; le vider et recommencer avec un moindre contenu.

<p>Si l'appareil ne fonctionne toujours pas correctement :</p>	<ul style="list-style-type: none"> • Vérifier que la prise de courant est sous tension. • Vérifier que le disjoncteur est allumé. • Vérifier que le fusible qui alimente la prise n'est pas grillé. • Contacter un service après-vente Waring autorisé.
<p>L'appareil grince</p>	<ul style="list-style-type: none"> • Éteindre l'appareil, le débrancher, puis vérifier si le couteau touche le bol. • Si le couteau touche le bol, contacter un service après-vente autorisé.
<p>Si vous remarquez que la lame du disque se plie pendant le fonctionnement et/ou produit des résultats irréguliers :</p>	<ul style="list-style-type: none"> • Cesser l'utilisation et jeter le contenu du bol. Ne pas essayer de réparer le disque. Contacter le service après-vente Waring le plus proche pour obtenir des conseils et/ou acheter un nouveau disque.

NETTOYAGE ET ENTRETIEN

Toujours débrancher l'appareil après usage et avant toute manipulation ou entretien. Nettoyer l'appareil et ses accessoires avant de l'utiliser pour la première fois et après chaque utilisation. Ne pas utiliser de nettoyeurs abrasifs. Le couteau et les disques sont très aiguisés ; les manipuler avec précaution.

1. Nettoyer l'arbre du moteur avec une petite brosse.
2. Laver, rincer, désinfecter et laisser sécher le bol, le couvercle, le joint du couvercle, les poussoirs, le bol à débit continu, le couteau, les disques, le système à découper en dés et l'outil de nettoyage du système à découper en dés avant d'utiliser l'appareil pour la première fois et après chaque utilisation, à moins que vous ne réutilisiez l'appareil immédiatement.

REMARQUE : toutes les pièces mentionnées ci-dessus, à l'exception du système à découper en dés, sont lavables au lave-vaisselle.

3. Le disque et la grille du système à découper en dés (pièces 11a et 11b) doivent être lavés à la main uniquement. Utiliser l'outil de nettoyage inclus (pièce 16) pour dégager les résidus d'aliment coincés dans la grille.

4. Pour le lavage à la main, utiliser uniquement des détergents en poudre peu moussant spécialement formulés pour laver la vaisselle et les ustensiles de cuisine, comme par exemple le détergent LF2100 de International Products Corp. Ces produits sont disponibles auprès des fournisseurs de laboratoires, restaurants et autres établissements de cuisine. Suivre les consignes du fabricant.

Bien laver et rincer toutes les pièces après chaque utilisation. Nettoyer le couteau et les disques à l'aide d'une brosse dure avant de les laver. Si nécessaire, éliminer les résidus tenaces à la brosse et laisser tremper avant de les laver.

RINÇAGE

Rincer à l'eau uniquement.

DÉSINFECTION

Utiliser de l'eau de javel ordinaire, diluée dans de l'eau entre 50°F (10°C) et 120°F (50°C). La concentration d'eau de javel ne devrait pas dépasser 200 ppm (voir les instructions concernant les applications alimentaires sur l'étiquette).

La proportion exacte d'eau/eau de javel dépendra de la concentration d'hypochlorite dans l'eau de javel. Proportions pour les produits les plus courants :

– 5,25 % d'hypochlorite : 3 c. à thé (15 ml) d'eau de javel par gallon (3,8 L) d'eau.

– 8,25% d'hypochlorite : 2 c. à thé (10 ml) d'eau de javel par gallon (3,8 L) d'eau.

Plonger les pièces dans la solution désinfectante pendant 2 minutes (ou bien les vaporiser de solution désinfectante).

SÉCHAGE

Égoutter les pièces et les laisser sécher à l'air.

Nettoyage du socle-moteur

Nettoyer et désinfecter le socle-moteur avant d'utiliser l'appareil pour la première fois et après chaque utilisation. Débrancher l'appareil.

1. Nettoyage : nettoyer le socle à l'aide d'un linge légèrement humide.
2. Désinfection : essuyer le socle à l'aide d'un torchon doux ou d'une éponge imprégnés de solution désinfectante*.
NE PAS SUBMERGER LE SOCLE DANS LA SOLUTION DE NETTOYAGE, L'EAU OU LA SOLUTION DÉSINFECTANTE.
3. Laisser sécher à l'air.

*N'utiliser que les solutions désinfectantes recommandées dans ce manuel.

GARANTIE LIMITÉE

GARANTIE LIMITÉE DE CINQ ANS (MOTEUR)

**GARANTIE LIMITÉE DE DEUX ANS (PIÈCES ET MAIN D'OEUVRE)
(VALABLE AUX É.-U. ET AU CANADA UNIQUEMENT)**

Waring Commercial garantit le moteur de cet appareil contre tout vice de matière ou de fabrication pendant une période de cinq ans suivant sa date d'achat, à condition que l'appareil ait été utilisé uniquement avec des produits alimentaires, des liquides non-abrasifs (autres que des détergents) et des semi-liquides non-abrasifs, à condition que l'appareil n'ait pas été soumis à des charges excédant sa capacité maximale. Les autres pièces sont garanties pendant une période de deux ans suivant la date d'achat.

Au titre de cette garantie, la division Waring Commercial réparera ou remplacera toute pièce nous paraissant afficher un vice de matière ou de fabrication. Pour un service au titre de cette garantie, envoyez l'appareil, port payé, à l'adresse suivante ou amenez-le à un centre de réparation agréé : Waring Service Center, 314 Ella T. Grasso Ave., Torrington, CT 06790.

Cette garantie a) n'est pas valable si l'appareil est endommagé, cassé, détérioré ou s'il affiche un vice ou défaut résultant de l'utilisation, de l'entretien ou de la réparation par des personnes non autorisées, ou consécutif à l'usage abusif ou inapproprié, à la surcharge ou à la modification de l'appareil ; b) ne couvre aucun dommage accessoire ou indirect.

Cette garantie n'est valable que sur les appareils utilisés aux États-Unis et au Canada et abroge toute autre garantie formelle ou tout autre accord de garantie. La garantie des produits Waring vendus en dehors des États-Unis et du Canada est à la charge de l'importateur ou du distributeur local. Les droits de garantie peuvent varier d'un pays ou d'une région à l'autre.

Brancher cet appareil sur courant continu (C.C./DC) annulera la garantie.

**Trademarks or service marks of third parties used herein are
the trademarks or service marks of their respective owners.**
**Todas las marcas registradas, comerciales o de servicio mencionadas
en este documento pertenecen a sus titulares respectivos.**

**©2017 Waring Commercial
314 Ella T. Grasso Ave.
Torrington, CT 06790**

www.waringcommercialproducts.com

**Printed in China
Impreso en China**

**WFP16SCD IB
17WC031255**

IB-11430C