



WPO500

Heavy-Duty Single-Deck Pizza Oven



Heavy-Duty Single-Deck Pizza Oven



MAIN FEATURES

- Ceramic pizza deck holds 18" diameter pizza
- Manual, 30-minute timer with audible alert
- Independent ON/OFF switches for top and bottom heating elements
- Temperature up to 800°F/426°C
- Stainless steel exterior, aluminized steel interior with light
- Ovens are stackable with 4" adjustable legs
- Includes one ceramic pizza stone
- Limited One Year On-Site Warranty

ELECTRICAL

Voltage: 120

Frequency: 60Hz

Watts: 1800

Plug Type: NEMA 5-15P 

Cord Length: 6.6 feet



SALES FEATURES

Make fresh, delicious baked pizza or other hot snacks with the compact and stackable Waring® WPO500 single-deck pizza oven. Its ceramic pizza deck holds an 18" diameter pizza and accommodates standard, half-size sheet pans. Fully insulated, stainless steel exterior with a consistent interior temperature. Perfect for smaller establishments such as cafes, health clubs, or concession stands.



@waringcommercial

©2020 Waring Commercial
314 Ella T. Grasso Avenue, Torrington, CT 06790
Tel. 800-492-7464 • Fax 860-496-9008

waringcommercialproducts.com

WPO500



Heavy-Duty Single-Deck Pizza Oven WPO500

PARTS & ACCESSORIES

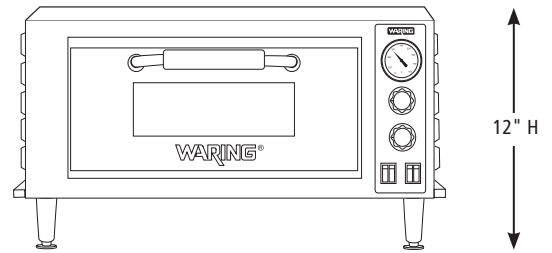


WPOPS Ceramic Pizza Stone

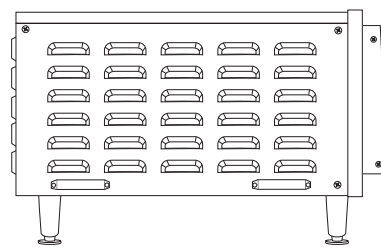


CAC105 Cleaning Brush

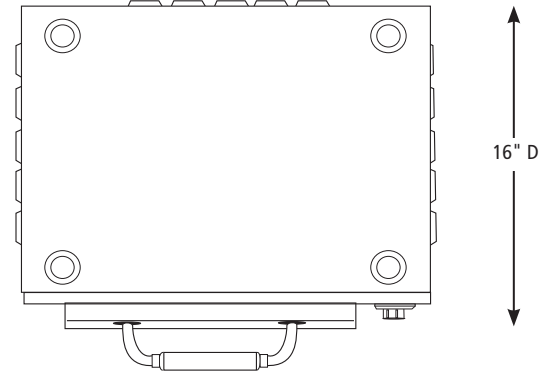
DIMENSIONS



26" W



16" D



26" W

Out of Box Weight: 118 lb.

ORDERING INFORMATION	#STD. PKG.	GIFTBOX WEIGHT	CUBIC FEET	BOX DIMENSIONS D X W X H	UPC	CASE PKG.	MC WEIGHT	MC DIMENSIONS D X W X H	MBC
WPO500 – Heavy-Duty Single-Deck Pizza Oven	1	131	7.27	34" x 23.5" x 15.721"	040072023200	1	131	34" x 23.5" x 15.721"	10040072023207



@waringcommercial

©2020 Waring Commercial
314 Ella T. Grasso Avenue, Torrington, CT 06790
Tel. 800-492-7464 • Fax 860-496-9008

waringcommercialproducts.com

20WC071662 / REV 04/20