



# WPO350

## Medium-Duty Double-Deck Pizza Oven



Medium-Duty Double-Deck Pizza Oven



### MAIN FEATURES

- Ceramic pizza decks fit 14" pizzas
- 3.5-inch-high chamber openings
- Temperature settings from 280°F – 600°F
- Heating elements above and below decks
- 15-minute timers
- Power ON/OFF switches with indicator lights
- Tempered glass doors and oven lights let you monitor the cooking process
- Removable pizza deck(s) for easy cleaning
- Includes a cleaning brush with heavy-duty bristles for cleaning decks without damaging the ceramic
- Double oven features adjustable legs to set height to the proper level for your space
- Limited One-Year Warranty

### ELECTRICAL

Voltage: 240

Frequency: 60 Hz

Watts: 3500

Amps: 15

Plug Type: NEMA 6-20P 

Cord Length: 3 feet



### SALES FEATURES

Add pizza to your menu and generate another revenue stream with the Waring® WPO350 Double Pizza Oven. Designed to cook two pizzas at once to perfection, the unit is ideal for quick-service restaurants, concession stands, convenience stores, and cafeterias that want to treat customers to a quick slice or two, or whole pies. Easy to use, with a space-saving design that fits on any counter.



@waringcommercial

©2019 Waring Commercial  
314 Ella T. Grasso Avenue, Torrington, CT 06790  
Tel. 800-492-7464 • Fax 860-496-9008

[waringcommercialproducts.com](http://waringcommercialproducts.com)

WPO350



## PARTS & ACCESSORIES

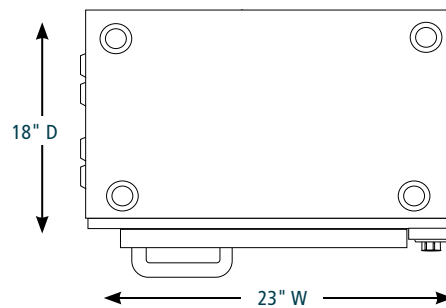
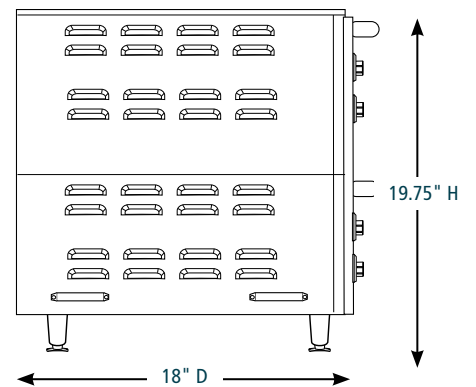
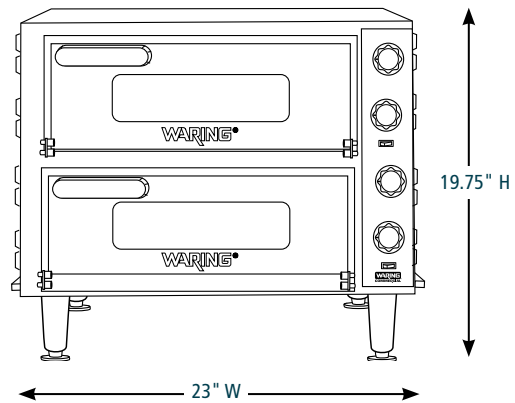


**CAC105** Heavy-Duty Grill Brush



**WPO100PS** Ceramic Pizza Stone

## DIMENSIONS



Out of Box Weight: 85 lb.

ORDERING INFORMATION	#STD. PKG.	GIFTBOX WEIGHT	CUBIC FEET	BOX DIMENSIONS D X W X H	UPC	CASE PKG.	MC WEIGHT	MC DIMENSIONS D X W X H	MBC
WPO350 – Medium-Duty Double-Deck Pizza Oven	1	100	13.64	26.875" x 28.875" x 30.375"	040072083402	1	100	26.875" x 28.875" x 30.375"	10040072083409

