

Model A Hand Dryer

Most Durable Standard Push-Button Hand Dryer



WORLD DRYER

World Model A hand dryer is “the standard” hand dryer with the longest motor life and the best washroom solution for all high traffic applications.

Product Benefits

- 30 second drying time
- Longest life of all dryers
- Lowest sound level
- Durable and vandal resistant
- Classic style design

Design Features

Dryer

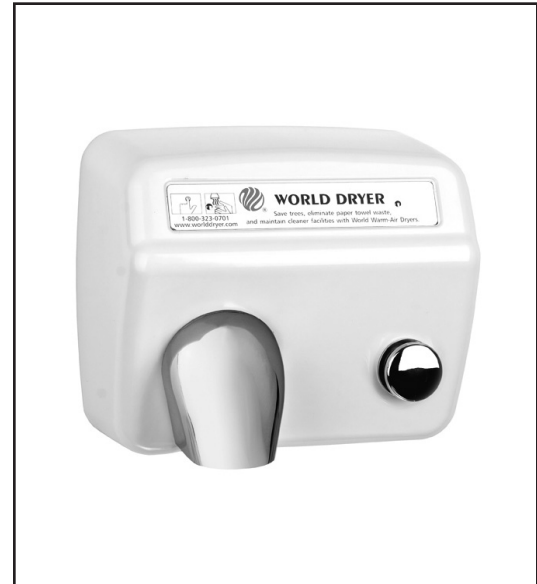
- Activated by electro-mechanical timer with 25 Amp switch
- 30 second drying cycle
- Incorporates a 2100 (optional 1500) watt Nichrome wire heating element Protected by an automatic-resetting, thermal cutoff
- Provides a 70° F temperature rise
- IPX1 ingress protection

Motor

- Thermally-protected, universal brush-type motor operating at 7,500 RPM
- Delivering 154 CFM air flow at a velocity of 7,300 LFM

Materials

- Cover material: Cast Iron with porcelain enamel finish. Optional 14GA polished or brushed finish #304S.S. or epoxy enamel finish C.R. Steel.
- The wall-mounted base is constructed of die-cast aluminum
- The nozzle is constructed of die-cast zinc alloy finished in bright chrome



Architecture & Engineering Specifications

World Dryer Model A hand dryers shall include a cover made of 1/4” thick cast iron with porcelain enamel finish. Optional 14GA polished or brushed finish #304S.S. or epoxy enamel finish C.R. Steel. Motor shall be universal type, 1/10 HP at 7500 RPM. Dryers shall deliver 154 cubic feet per minute of air volume (7300 LFM). Timer shall be electro-mechanical cam-style with 25 AMP rated switch to operate dryer for 30 second period. Hand dryers shall be listed under reexamination service of Underwriters Laboratories, Inc.

Model A Product Specifications

Electrical

| | 115 V | 115 V | 208 - 230 V | 220 - 240 V | 277 V |
|-------|-------|-------|-------------|-------------|-------|
| Amps | 20 | 15 | 10 | 10 | 8.5 |
| Watts | 2300 | 1725 | 2300 | 2300 | 2300 |
| Hz | 60 | 60 | 60 | 50 | 60 |

Unit Size (HxWxD) inch/mm -

9.5” x 11.3” x 8.3” 241 mm x 287 mm x 211 mm

Shipping Size (HxWxD) inch/mm

12.5” x 14.4” x 10.1” 317 mm x 366 mm x 256 mm

| Stock # | Cover Finish | Cover Material | Electrical | Unit Weight |
|-----------|--------------|----------------|---------------|------------------|
| A5-974 | White | Cast Iron | 115 V, 20 Amp | 29 lbs/13.15 kgs |
| A52-974 | White | Cast Iron | 115 V, 15 Amp | 29 lbs/13.15 kgs |
| A54-974 | White | Cast Iron | 208 - 230V | 29 lbs/13.15 kgs |
| A548-974 | White | Cast Iron | 220 - 240 V | 29 lbs/13.15 kgs |
| A57-974 | White | Cast Iron | 277 V | 29 lbs/13.15 kgs |
| DA5-974 | White | Stamped Steel | 115 V, 20 Amp | 18 lbs/8.16 kgs |
| DA52-974 | White | Stamped Steel | 115 V, 15 Amp | 18 lbs/8.16 kgs |
| DA54-974 | White | Stamped Steel | 208 - 230V | 18 lbs/8.16 kgs |
| DA548-974 | White | Stamped Steel | 220 - 240 V | 18 lbs/8.16 kgs |
| DA57-974 | White | Stamped Steel | 277 V | 18 lbs/8.16 kgs |

| Stock # | Cover Finish | Cover Material | Electrical | Unit Weight |
|-----------|--------------|-----------------|---------------|-----------------|
| DA5-972 | Polished | Stainless Steel | 115 V, 20 Amp | 18 lbs/8.16 kgs |
| DA52-972 | Polished | Stainless Steel | 115 V, 15 Amp | 18 lbs/8.16 kgs |
| DA54-972 | Polished | Stainless Steel | 208 - 230V | 18 lbs/8.16 kgs |
| DA548-972 | Polished | Stainless Steel | 220 - 240 V | 18 lbs/8.16 kgs |
| DA57-972 | Polished | Stainless Steel | 277 V | 18 lbs/8.16 kgs |
| DA5-973 | Brushed | Stainless Steel | 115 V, 20 Amp | 18 lbs/8.16 kgs |
| DA52-973 | Brushed | Stainless Steel | 115 V, 15 Amp | 18 lbs/8.16 kgs |
| DA54-973 | Brushed | Stainless Steel | 208 - 230V | 18 lbs/8.16 kgs |
| DA548-973 | Brushed | Stainless Steel | 220 - 240 V | 18 lbs/8.16 kgs |
| DA57-973 | Brushed | Stainless Steel | 277 V | 18 lbs/8.16 kgs |

Model A Hand Dryer

Most Durable Standard Push-Button Hand Dryer



WORLD DRYER

World Model A hand dryer is “the standard” hand dryer with the longest motor life and the best washroom solution for all high traffic applications.

Product Benefits

- 30 second drying time
- Longest life of all dryers
- Lowest sound level
- Durable and vandal resistant
- Classic style design

Design Features

Dryer

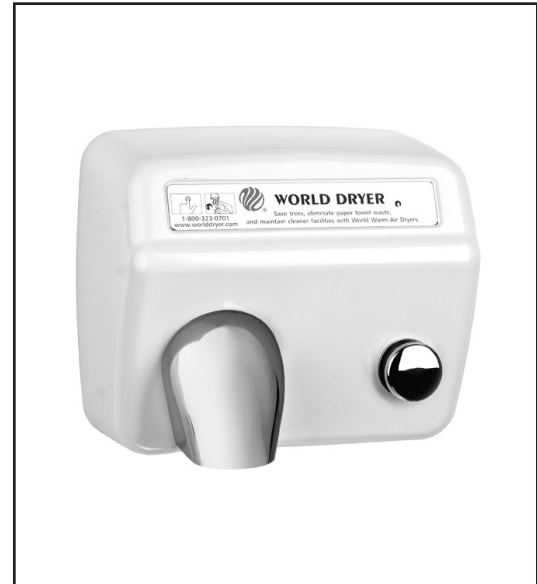
- Activated by electro-mechanical timer with 25 Amp switch
- 30 second drying cycle
- Incorporates a 2100 (optional 1500) watt Nichrome wire heating element Protected by an automatic-resetting, thermal cutoff
- Provides a 70°F temperature rise
- IPX1 ingress protection

Motor

- Thermally-protected, universal brush-type motor operating at 7,500 RPM
- Delivering 154 CFM air flow at a velocity of 7,300 LFM

Materials

- Cover material: Cast Iron with porcelain enamel finish. Optional 14GA polished or brushed finish #304S.S. or epoxy enamel finish C.R. Steel.
- The wall-mounted base is constructed of die-cast aluminum
- The nozzle is constructed of die-cast zinc alloy finished in bright chrome



Architecture & Engineering Specifications

World Dryer Model A hand dryers shall include a cover made of 1/4” thick cast iron with porcelain enamel finish. Optional 14GA polished or brushed finish #304S.S. or epoxy enamel finish C.R. Steel. Motor shall be universal type, 1/10 HP at 7500 RPM. Dryers shall deliver 154 cubic feet per minute of air volume (7300 LFM). Timer shall be electro-mechanical cam-style with 25 AMP rated switch to operate dryer for 30 second period. Hand dryers shall be listed under reexamination service of Underwriters Laboratories, Inc.

Model A Product Specifications

Electrical

| | 115 V | 115 V | 208 - 230 V | 220 - 240 V | 277 V |
|-------|-------|-------|-------------|-------------|-------|
| Amps | 20 | 15 | 10 | 10 | 8.5 |
| Watts | 2300 | 1725 | 2300 | 2300 | 2300 |
| Hz | 60 | 60 | 60 | 50 | 60 |

Unit Size (HxWxD) inch/mm -

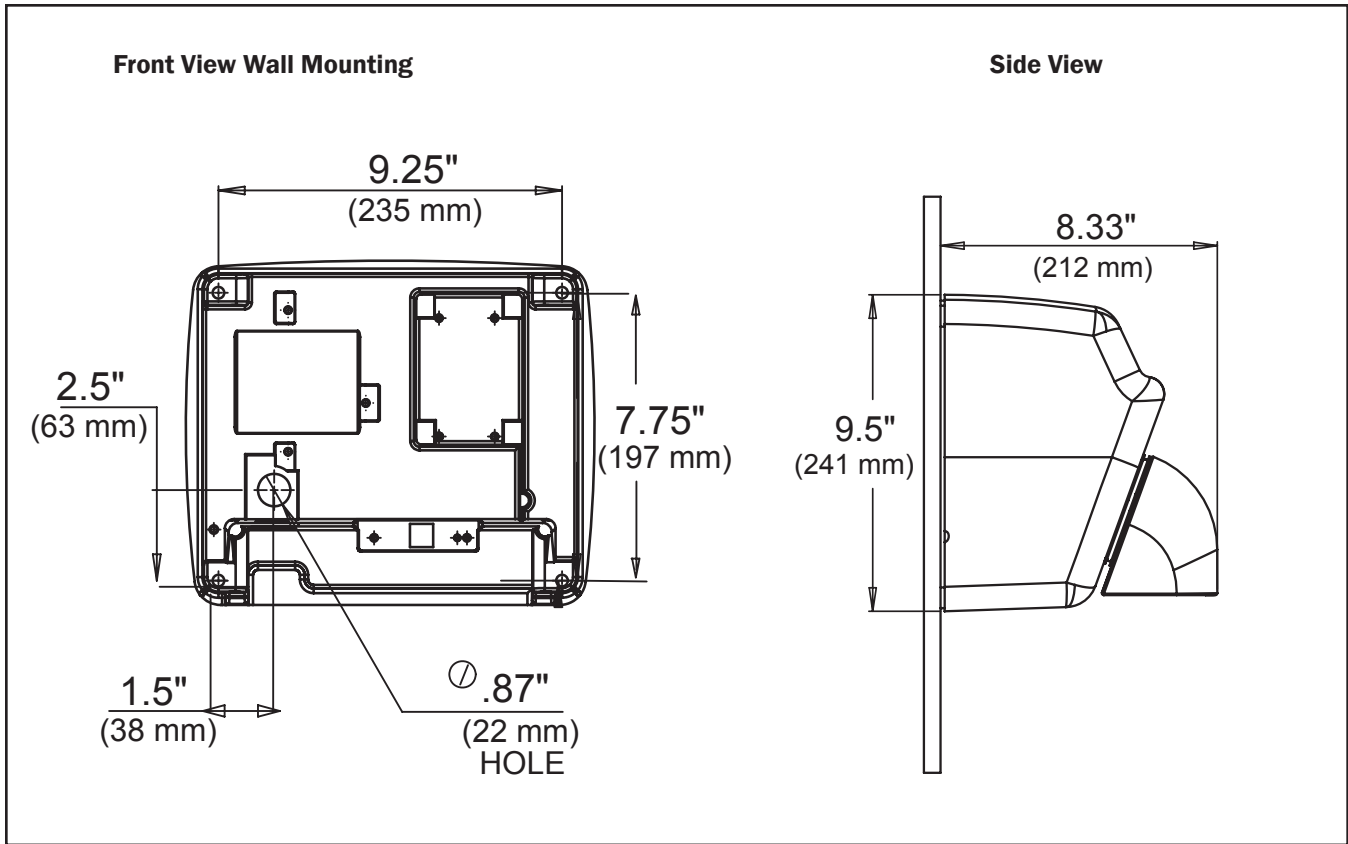
9.5” x 11.3” x 8.3” 241 mm x 287 mm x 211 mm

Shipping Size (HxWxD) inch/mm

12.5” x 14.4” x 10.1” 317 mm x 366 mm x 256 mm

| Stock # | Cover Finish | Cover Material | Electrical | Unit Weight |
|-----------|--------------|----------------|---------------|------------------|
| A5-974 | White | Cast Iron | 115 V, 20 Amp | 29 lbs/13.15 kgs |
| A52-974 | White | Cast Iron | 115 V, 15 Amp | 29 lbs/13.15 kgs |
| A54-974 | White | Cast Iron | 208 - 230V | 29 lbs/13.15 kgs |
| A548-974 | White | Cast Iron | 220 - 240 V | 29 lbs/13.15 kgs |
| A57-974 | White | Cast Iron | 277 V | 29 lbs/13.15 kgs |
| DA5-974 | White | Stamped Steel | 115 V, 20 Amp | 18 lbs/8.16 kgs |
| DA52-974 | White | Stamped Steel | 115 V, 15 Amp | 18 lbs/8.16 kgs |
| DA54-974 | White | Stamped Steel | 208 - 230V | 18 lbs/8.16 kgs |
| DA548-974 | White | Stamped Steel | 220 - 240 V | 18 lbs/8.16 kgs |
| DA57-974 | White | Stamped Steel | 277 V | 18 lbs/8.16 kgs |

| Stock # | Cover Finish | Cover Material | Electrical | Unit Weight |
|-----------|--------------|-----------------|---------------|-----------------|
| DA5-972 | Polished | Stainless Steel | 115 V, 20 Amp | 18 lbs/8.16 kgs |
| DA52-972 | Polished | Stainless Steel | 115 V, 15 Amp | 18 lbs/8.16 kgs |
| DA54-972 | Polished | Stainless Steel | 208 - 230V | 18 lbs/8.16 kgs |
| DA548-972 | Polished | Stainless Steel | 220 - 240 V | 18 lbs/8.16 kgs |
| DA57-972 | Polished | Stainless Steel | 277 V | 18 lbs/8.16 kgs |
| DA5-973 | Brushed | Stainless Steel | 115 V, 20 Amp | 18 lbs/8.16 kgs |
| DA52-973 | Brushed | Stainless Steel | 115 V, 15 Amp | 18 lbs/8.16 kgs |
| DA54-973 | Brushed | Stainless Steel | 208 - 230V | 18 lbs/8.16 kgs |
| DA548-973 | Brushed | Stainless Steel | 220 - 240 V | 18 lbs/8.16 kgs |
| DA57-973 | Brushed | Stainless Steel | 277 V | 18 lbs/8.16 kgs |



Placement Instruction

- Hand dryers should be spaced at least 2' apart, near but not over the wash basin
- In congested areas, dryers should be located to create a flow from wash basin to dryer to exit
- Dryer Quantity Recommendation:
 Average Traffic: 1 dryer per 2 wash basins
 Heavy Traffic: 1 dryer per wash basin
 Industrial 54" Circular wash fountains: 4 dryers per sink
- Recommended mounting heights from floor to dryer bottom edge

| | |
|----------------------------------|--------------|
| Men's washrooms | 46" (117 cm) |
| Women's washrooms | 44" (112 cm) |
| Children's washrooms, ages 4-7 | 32" (81 cm) |
| Children's washrooms, ages 7-10 | 36" (91 cm) |
| Children's washrooms, ages 10-13 | 40" (102 cm) |
| Children's washrooms, ages 13-17 | 44" (112 cm) |
| Handicap Mounting Height | 37" (94 cm) |

Measured from floor to the bottom of the unit.

Installation Guide

- Model A hand dryers require a dedicated 20 AMP circuit and must be properly grounded
- GFI circuit protection is recommended.
- One side of dryer should be mounted to a stud

Certification Approved



Warranty

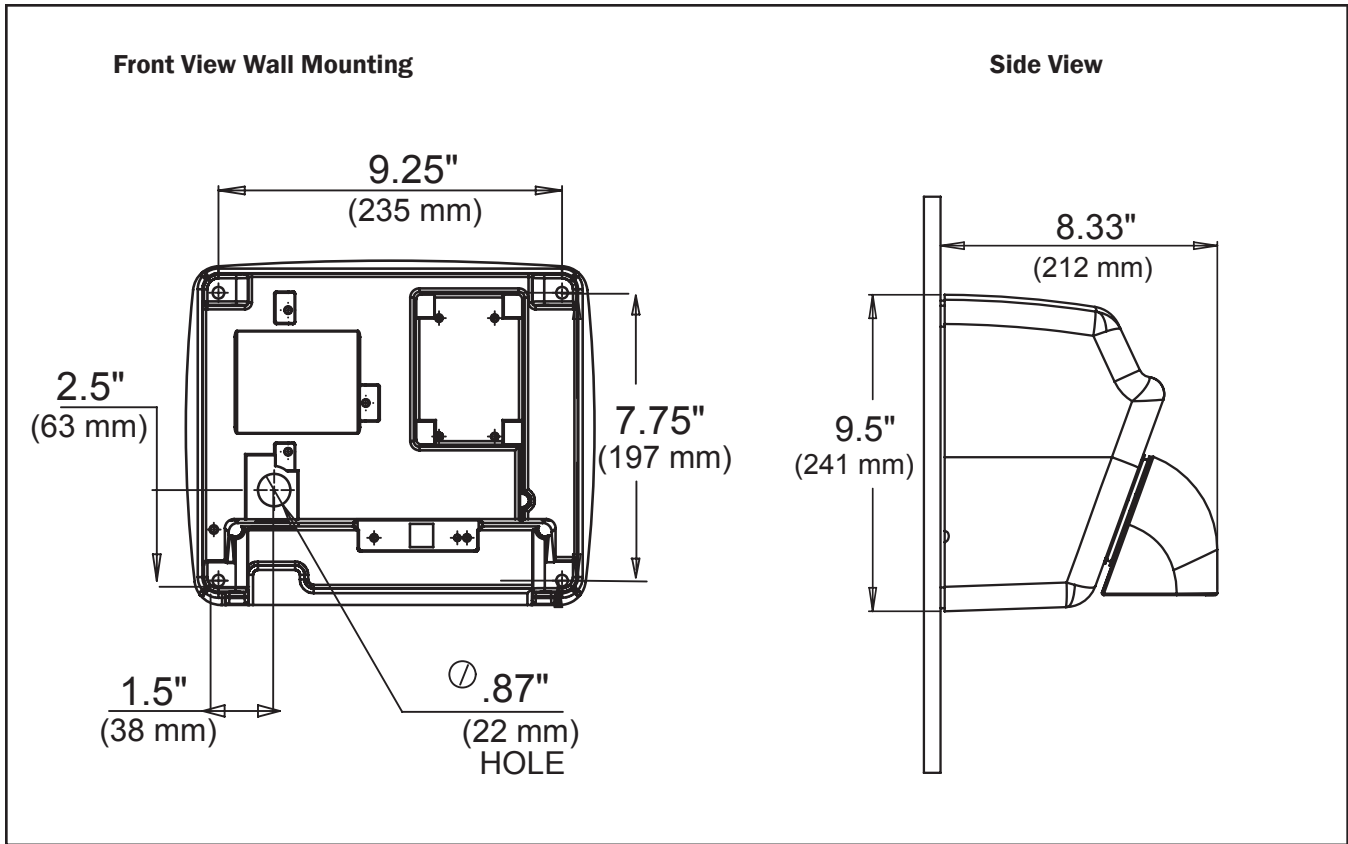


3 year on motor brushes

10 year limited warranty



5700 McDermott Drive
 Berkeley, IL 60163 U.S.A.
 800-323-0701
 www.worlddryer.com



Placement Instruction

- Hand dryers should be spaced at least 2' apart, near but not over the wash basin
- In congested areas, dryers should be located to create a flow from wash basin to dryer to exit
- Dryer Quantity Recommendation:
 Average Traffic: 1 dryer per 2 wash basins
 Heavy Traffic: 1 dryer per wash basin
 Industrial 54" Circular wash fountains: 4 dryers per sink
- Recommended mounting heights from floor to dryer bottom edge

| | |
|----------------------------------|--------------|
| Men's washrooms | 46" (117 cm) |
| Women's washrooms | 44" (112 cm) |
| Children's washrooms, ages 4-7 | 32" (81 cm) |
| Children's washrooms, ages 7-10 | 36" (91 cm) |
| Children's washrooms, ages 10-13 | 40" (102 cm) |
| Children's washrooms, ages 13-17 | 44" (112 cm) |
| Handicap Mounting Height | 37" (94 cm) |

Measured from floor to the bottom of the unit.

Installation Guide

- Model A hand dryers require a dedicated 20 AMP circuit and must be properly grounded
- GFI circuit protection is recommended.
- One side of dryer should be mounted to a stud

Certification Approved



Warranty



3 year on motor brushes

10 year limited warranty



5700 McDermott Drive
 Berkeley, IL 60163 U.S.A.
 800-323-0701
 www.worlddryer.com