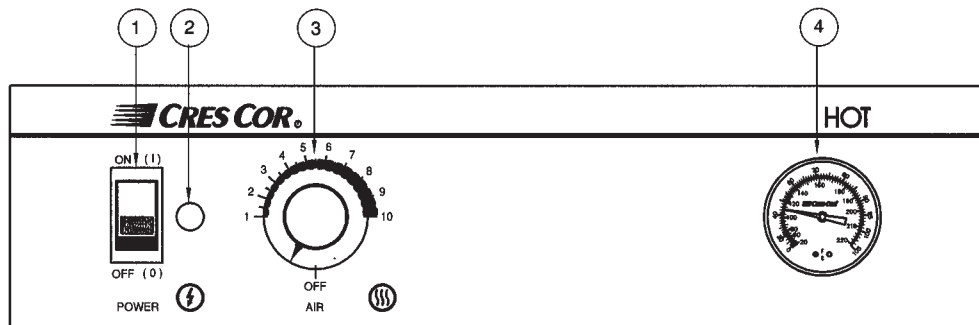


OPERATING and MAINTENANCE INSTRUCTIONS

Model: 130 and 131 “D” Series Hot Cabinets

Model No.	Volts	Watts	Amps	Hertz	Phase	NEMA
1301836D 131UA11D 131UA9D	120	1920	16.6	60	1	5-20P
1301836D208 131UA11D208 131UA9D208	208	2000	9.6	60	1	6-15P
1301836D240 131UA11D240 131UA9D240	240	2000	8.6	60	1	6-15P

All are designed for AC service.



CONTROL PANEL PARTS IDENTIFICATION

1. Switch - Power
2. Yellow Light - Power
3. Thermostat
4. Thermometer

HOW TO INSTALL UNIT:

1. Place cabinet near warm ovens. Do *NOT* put in drafty areas or near ventilating systems.
2. Plug cord end into proper wall outlet.

NOTE: No. 8 setting = approx. 175°F (79°C)
 No. 6 setting = approx. 165°F (74°C)

Proper food holding temperature is 140°F (60°C) or higher. The thermometer shows the temperature inside.

HOW TO START UNIT:

1. Turn the POWER switch on. The *yellow* light will turn on.
2. Turn thermostat to #10.
3. Preheat cabinet for 30 minutes.
4. Put food into cabinet.
5. Turn thermostat to #8 and close door.

TO TURN OFF UNIT:

1. Turn thermostat off.
2. Turn the POWER switch off.
3. The *yellow* light will go out.

Proof/Hot Cabinets	FL-2309
Rev. 5 (2/13)	Page 2 of 4

OPERATING and MAINTENANCE INSTRUCTIONS

Model: 130 and 131 “D” Series Hot Cabinets

MAINTENANCE

HOT UNIT REMOVAL INSTRUCTIONS:

1. Unplug power cord from wall outlet.
2. Remove screw from back of cabinet located just above cord. (For Model 1301836D ONLY).
3. Pull entire unit out the front of the cabinet.



HOW TO CLEAN THE CABINET:

 **WARNING** *BEFORE* cleaning the cabinet:

1. Allow cabinet to cool.
2. Remove Hot unit from cabinet.
3. Do NOT use abrasives or harsh chemicals.

Cleaning Notes:

- THIS UNIT IS INTENDED TO BE CLEANED USING HIGH PRESSURE CLEANING METHODS.
- The door and cabinet (inside and outside) is aluminum.
- Wipe up spills as soon as possible and clean cabinet regularly to avoid heavy dirt build-up.
- Detergents will assist in removing dirt, grease and stains. Only use detergents recommended for pressure washers.

OPERATING and MAINTENANCE INSTRUCTIONS

Model: 130 and 131 “D” Series Hot Cabinets

TROUBLE-SHOOTING CHART:

FAILURE	POSSIBLE CAUSE
1. <i>Yellow</i> light at switch does NOT light	1a. Circuit breaker/fuse to wall outlet is blown. 1b. Cord is unplugged from wall outlet. 1c. Switch is “OFF”.
2. Unit does not heat.	2a. Thermostat set too low or is “OFF”. 2b. Switch is “OFF”.
3. Unit gets too hot or won’t shut off.	3a. Defective electrical parts. UNPLUG UNIT FROM WALL OUTLET.
4. Blower does not work or make noise.	4a. Defective blower.

NOTE: Optional digital thermometer will flash if cabinet temperature is below 140°F or above 250°F.
Call the factory if you need different settings.

If cause is none of the above, refer to our list of Authorized Service Centers, FL-1400.

REPLACEMENT PARTS:

DESCRIPTION	120 VOLT	208 VOLT	240 VOLT
Hot Unit, Model 131 Series	HU1254052	HU1254053	HU1254054
Hot Unit, Model 1301836D	HU1254055	HU1254056	HU1254057
Blower Kit	0769-180-K	0769-182-K	0769-182-K
Heater Kit	0811-022-K	0811-185-K	0811-023-K
Terminal Block	0852-091	0852-091	0852-091-K
Thermostat Kit	0848-062-K	0848-062-K	0848-062-K
Thermometer Kit (Analog)	5238-030-K	5238-030-K	5238-030-K
Power Cord	0810-065-1	0810-039	0810-039
Power Switch	0808-116-K	0808-116-K	0808-116-K
Pilot Light	0766-094	0766-095	0766-095
CABINET	1301836D		131UA SERIES
Door Assembly	1200-492-BL		1200-490-BL (-UA-11) 1200-491-BL (-UA-9)
Door Gasket	0861-258-K		0861-256-K (-UA-11) 0861-257-K (-UA-9)
Door Hinge	0519-105-K		0519-104-K
Door Latch	1136-043-K		1006-154-01
Pan Slides	N/A		0621-281-K

Proof/Hot Cabinets	FL-2309
Rev. 5 (2/13)	Page 4 of 4

OPERATING and MAINTENANCE INSTRUCTIONS

Model: 130 and 131 "D" Series Hot Cabinets

