

**LIGHT DUTY ANGLE LEDGE
KNOCK DOWN UTILITY RACKS
MODEL 275-70-1820-KD**

FEATURES AND BENEFITS:

- Durable knock down utility racks for transport and storage of products on 18" x 26" pans.
- Welded framework of structural aluminum extrusions for rigidity and durability.
- Constructed of non-corrosive, Hi-Tensile aluminum for strength.
- Twenty sets of extruded angle ledge pan supports, welded on 3" centers, accommodate heavy loads. Bottom of pan or tray rests on angle ledges.
- 5" swivel casters, provides mobility when fully loaded.



275-70-1820-KD



**LIGHT DUTY ANGLE LEDGE
KNOCK DOWN UTILITY RACKS
MODEL 275-70-1820-KD**

FEATURES AND BENEFITS:

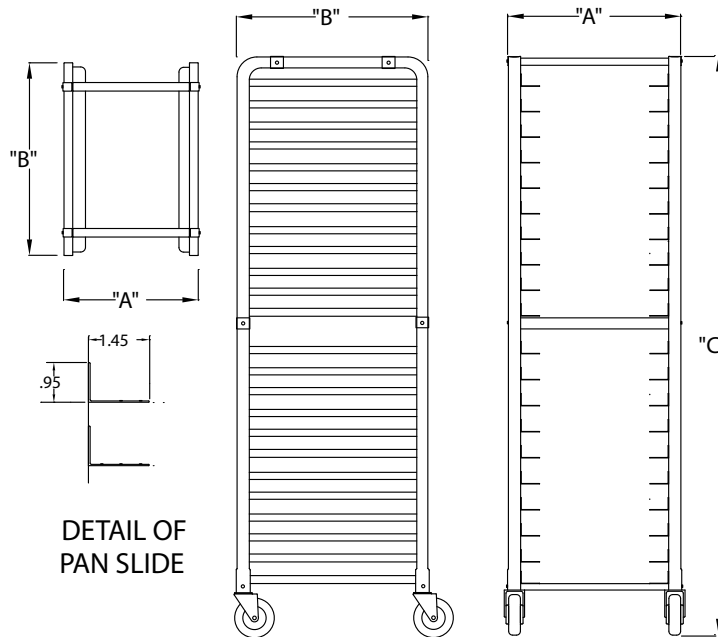
- Durable knock down utility racks for transport and storage of products on 18" x 26" pans.
- Welded framework of structural aluminum extrusions for rigidity and durability.
- Constructed of non-corrosive, Hi-Tensile aluminum for strength.
- Twenty sets of extruded angle ledge pan supports, welded on 3" centers, accommodate heavy loads. Bottom of pan or tray rests on angle ledges.
- 5" swivel casters, provides mobility when fully loaded.



275-70-1820-KD



275-70-1820-KD



CRES COR MODEL NO.	PAN			DIM "A"	DIM "B"	DIM "C"	INSIDE DIMENSIONS				WEIGHT ACT.
	CAP	SIZE		WIDTH	DEPTH	HEIGHT	WIDTH	DEPTH	HEIGHT		
275-70-1820-KD	20	18 x 26	IN	20-1/4	26-1/2	69-3/4	18-1/4	26	61-1/2	LBS	33
		460 x 660	MM	515	675	1775	465	660	1565	KG	15

ALL WELDS ARE FINISHED.

RACK:

- Side frames: Formed 1" square tubular aluminum.
- Top, center and bottom supports: 1" aluminum round tubing (shipped loose); fasten to side frames with screws provided.

CASTERS:

- 5" dia. swivel, 1" wide, soft rubber.

PAN SLIDES:

- Extruded aluminum angles, 1" x 1-7/16" x .045; welded to frames on 3" centers.

SHORT FORM SPECIFICATIONS

Cres Cor Knock Down Rack Model 275-70-1820-KD. Extruded aluminum angles welded to 1" square formed tubing. Capacity (20) 18" x 26 pans on 3" centers. 5" swivel casters and supports shipped loose. 1 Year Parts / 90-Day Labor Warranty. NSF Listed.



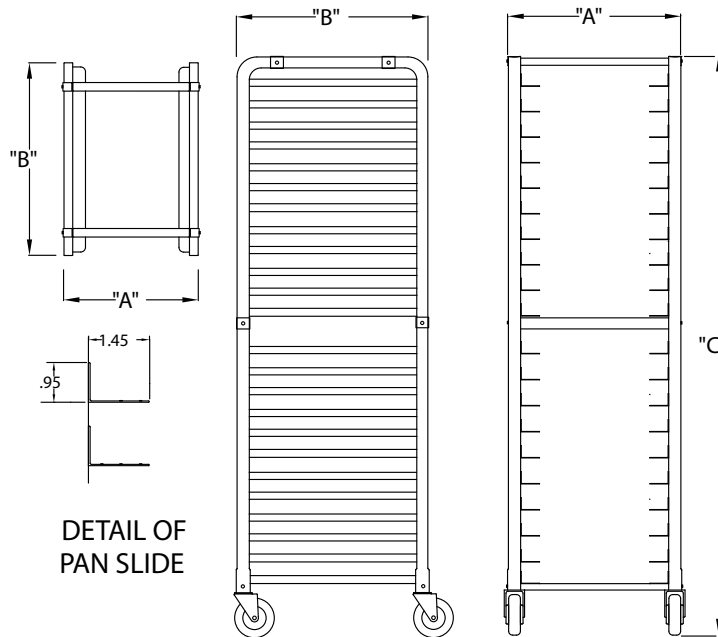
5925 Heisley Road • Mentor, OH 44060-1833
 Phone: 877/CRESCOR • Fax: 440/350-7267
 www.crescor.com

© Crescent Metal Products, Inc. 2011 All rights reserved.

In line with its policy to continually improve its products, CRES COR reserves the right to change materials and specifications without notice.

Litho in U.S.A.

275-70-1820-KD



CRES COR MODEL NO.	PAN			DIM "A"	DIM "B"	DIM "C"	INSIDE DIMENSIONS				WEIGHT ACT.
	CAP	SIZE		WIDTH	DEPTH	HEIGHT	WIDTH	DEPTH	HEIGHT		
275-70-1820-KD	20	18 x 26	IN	20-1/4	26-1/2	69-3/4	18-1/4	26	61-1/2	LBS	33
		460 x 660	MM	515	675	1775	465	660	1565	KG	15

ALL WELDS ARE FINISHED.

RACK:

- Side frames: Formed 1" square tubular aluminum.
- Top, center and bottom supports: 1" aluminum round tubing (shipped loose); fasten to side frames with screws provided.

CASTERS:

- 5" dia. swivel, 1" wide, soft rubber.

PAN SLIDES:

- Extruded aluminum angles, 1" x 1-7/16" x .045; welded to frames on 3" centers.

SHORT FORM SPECIFICATIONS

Cres Cor Knock Down Rack Model 275-70-1820-KD. Extruded aluminum angles welded to 1" square formed tubing. Capacity (20) 18" x 26 pans on 3" centers. 5" swivel casters and supports shipped loose. 1 Year Parts / 90-Day Labor Warranty. NSF Listed.



5925 Heisley Road • Mentor, OH 44060-1833
 Phone: 877/CRESCOR • Fax: 440/350-7267
 www.crescor.com

© Crescent Metal Products, Inc. 2011 All rights reserved.

In line with its policy to continually improve its products, CRES COR reserves the right to change materials and specifications without notice.

Litho in U.S.A.