



# T&S BRASS AND BRONZE WORKS, INC.

2 Saddleback Cove / P.O. Box 1088  
Travelers Rest, SC 29690



REG. #A2601  
ISO #9001

Model No.

**B-1123**

Item No.

Travelers Rest, SC: 800-476-4103 Simi Valley, CA: 800-423-0150 Fax: 864-834-3518 www.tsbrass.com

This Space for Architect/Engineer Approval

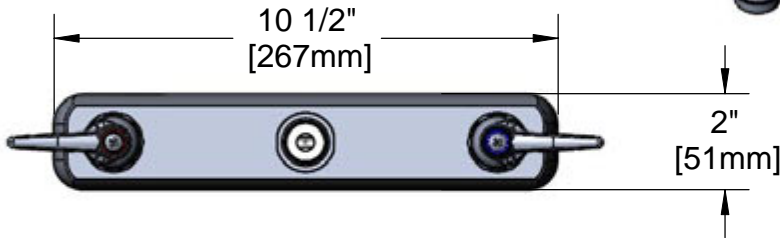
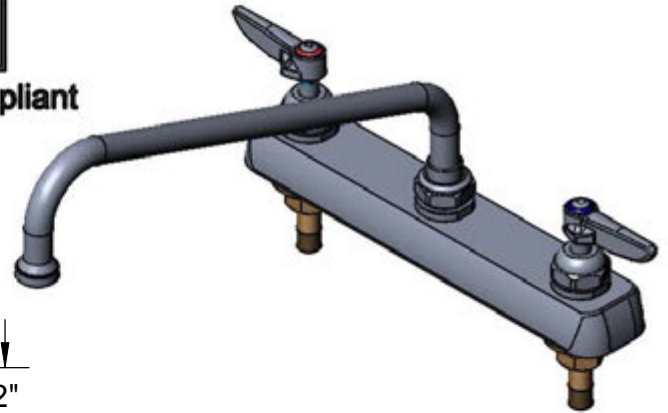
Job Name \_\_\_\_\_ Date \_\_\_\_\_

Model Specified \_\_\_\_\_ Quantity \_\_\_\_\_

Customer/Wholesaler \_\_\_\_\_

Contractor \_\_\_\_\_

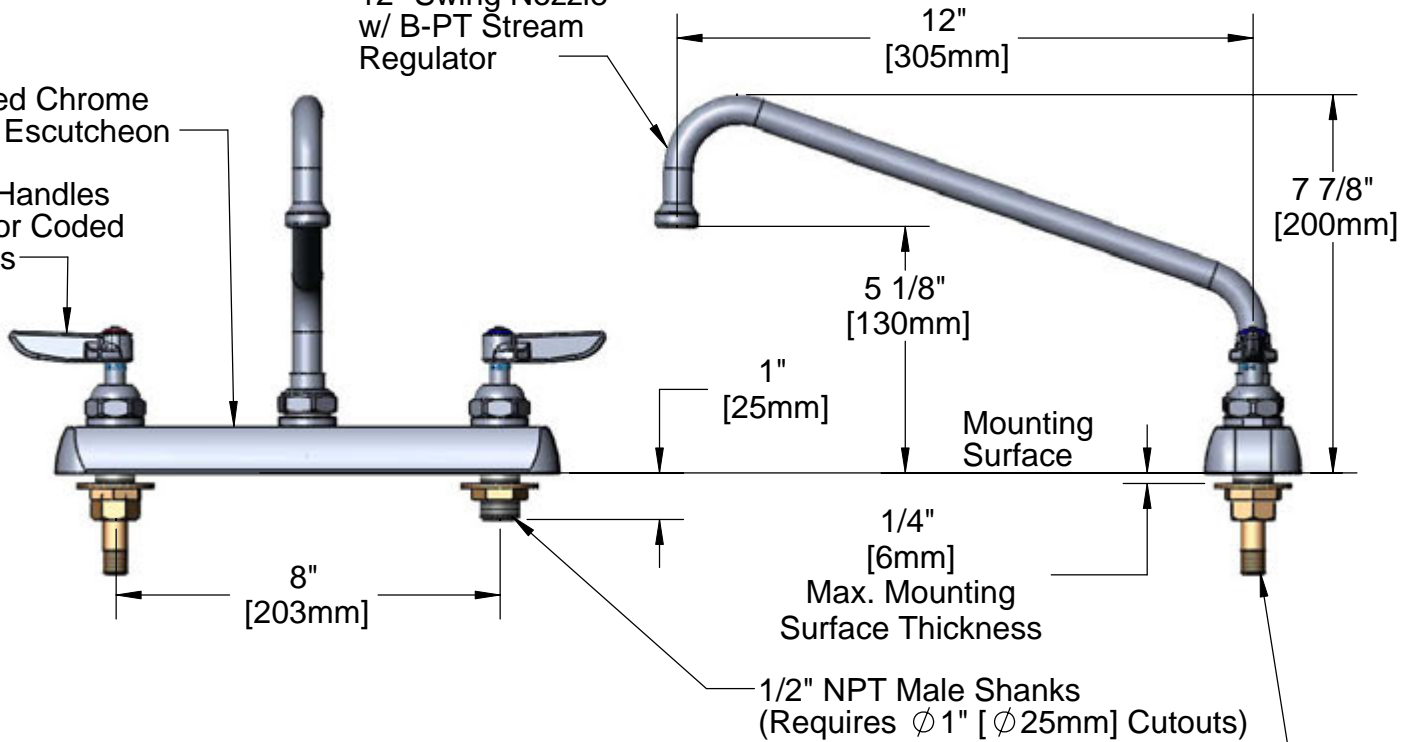
Architect/Engineer \_\_\_\_\_



062X  
12" Swing Nozzle  
w/ B-PT Stream  
Regulator

Polished Chrome  
Plated Escutcheon

Lever Handles  
w/ Color Coded  
Indexes



150A Tailpiece and  
Nut Furnished for  
1/4" NPT Connection

Product Specifications:

**8" Inlet Centers Workboard Faucet w/ Lever Handles,  
12" Swing Nozzle, B-PT Stream Regulator & 1/2" NPT  
Male Shanks**

|               |                |                  |
|---------------|----------------|------------------|
| Drawn<br>KJG  | Checked<br>DHL | Approved<br>JHB  |
| Scale:<br>1:4 |                | Date:<br>9/29/08 |



# T&S BRASS AND BRONZE WORKS, INC.

2 Saddleback Cove / P.O. Box 1088  
Travelers Rest, SC 29690



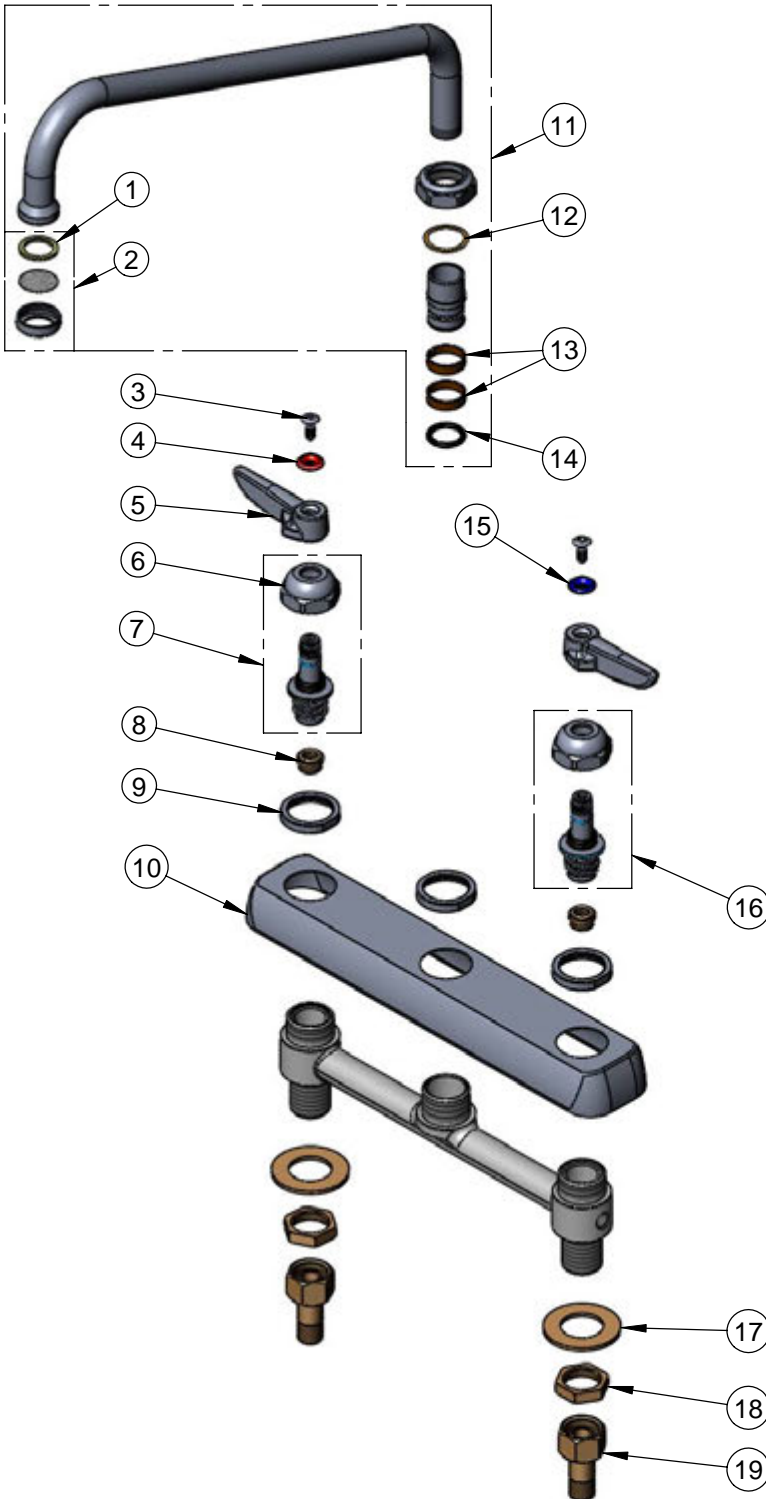
REG. #A2601  
ISO #9001

Model No.

B-1123

Item No.

Travelers Rest, SC: 800-476-4103 Simi Valley, CA: 800-423-0150 Fax: 864-834-3518 www.tsbrass.com



| ITEM NO. | SALES NO. | DESCRIPTION                    |
|----------|-----------|--------------------------------|
| 1        | 001048-45 | Nozzle Tip Washer              |
| 2        | B-PT      | Stream Regulator Outlet        |
| 3        | 000922-45 | Lever Handle Screw             |
| 4        | 001661-45 | Red Index-HW                   |
| 5        | 001638-45 | Lever Handle                   |
| 6        | 009749-25 | Bonnet Nut                     |
| 7        | 009753-25 | B-1100 RH Spindle Assembly     |
| 8        | 000763-20 | Seat                           |
| 9        | 000712-25 | Escutcheon Lock Nut            |
| 10       | 001259-40 | Escutcheon                     |
| 11       | 062X      | 6" Swing Nozzle Assembly       |
| 12       | 009538-45 | Swivel Washer                  |
| 13       | 011429-45 | Swivel Sleeves (2)             |
| 14       | 001074-45 | O-Ring                         |
| 15       | 001660-45 | Blue Index-CW                  |
| 16       | 009754-25 | B-1100 LH Spindle Assembly     |
| 17       | 000999-45 | Brass Lock Washer              |
| 18       | 002954-45 | Shank Lock Nut                 |
| 19       | 150A      | Bag of (1) Nut & (1) Tailpiece |

Product Specifications:

8" Inlet Centers Workboard Faucet w/ Lever Handles,  
12" Swing Nozzle, B-PT Stream Regulator & 1/2" NPT  
Male Shanks

|               |                |                  |
|---------------|----------------|------------------|
| Drawn<br>KJG  | Checked<br>DHL | Approved<br>JHB  |
| Scale:<br>NTS |                | Date:<br>9/29/08 |