



**T&S BRASS AND BRONZE WORKS, INC.**

2 Saddleback Cove / P.O. Box 1088  
Travelers Rest, SC 29690



REG. #A2601  
ISO #9001

Model No.

**B-0133-ADF12-B**

Item No.

Travelers Rest, SC: 800-476-4103 • Simi Valley, CA: 800-423-0150 • Fax: 864-834-3518 • www.tsbrass.com

This Space for Architect/Engineer Approval

Job Name \_\_\_\_\_ Date \_\_\_\_\_

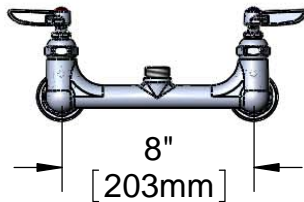
Model Specified \_\_\_\_\_ Quantity \_\_\_\_\_

Customer/Wholesaler \_\_\_\_\_

Contractor \_\_\_\_\_

Architect/Engineer \_\_\_\_\_

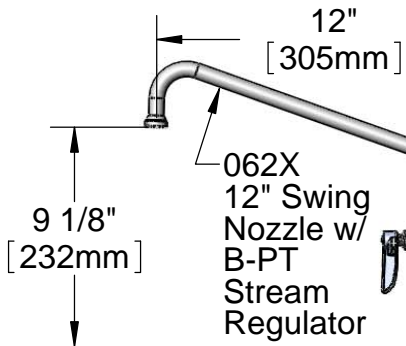
**EPAct2005 COMPLIANT**



Adjustable from  
7 3/4" to 8 1/4"  
[197mm to 210mm]

Flex Hose, Overhead  
Spring, Wall Bracket  
& Spray Valve  
Not Shown for Clarity

004R  
Finger Hook



B-0044-H  
Stainless Steel  
Flex Hose  
w/ Polyurethane  
Inner Hose

000369-40  
3/8" NPT x 18"  
Riser

B-0107  
Spray Valve  
1.42 GPM

14 1/16"  
[357mm]

B-0109-01  
6" Wall  
Bracket

8 1/8"  
[206mm]

2 5/16"  
[59mm]

B-0155-LNEZ  
Add-On Faucet

4 7/16"  
[112mm]

2 3/8"  
[61mm]

Ø 2"  
[51mm]  
Flanges w/  
1/2" NPT  
Female Inlets

37 11/16"  
[957mm]

**Product Specifications:**

EasyInstall Pre-Rinse Wall Mount Mixing Faucet, Eterna Cartridges w/ Spring Checks, B-0044-H Stainless Steel Flex Hose, B-0107 Spray Valve, 6" Wall Bracket & Add-On Faucet w/ 12" Swing Nozzle

Drawn

**JRM**

Checked

**DMH**

Approved

**JHB**

Scale:

**1:8**

Date:

**07/14/11**



# T&S BRASS AND BRONZE WORKS, INC.

2 Saddleback Cove / P.O. Box 1088  
Travelers Rest, SC 29690



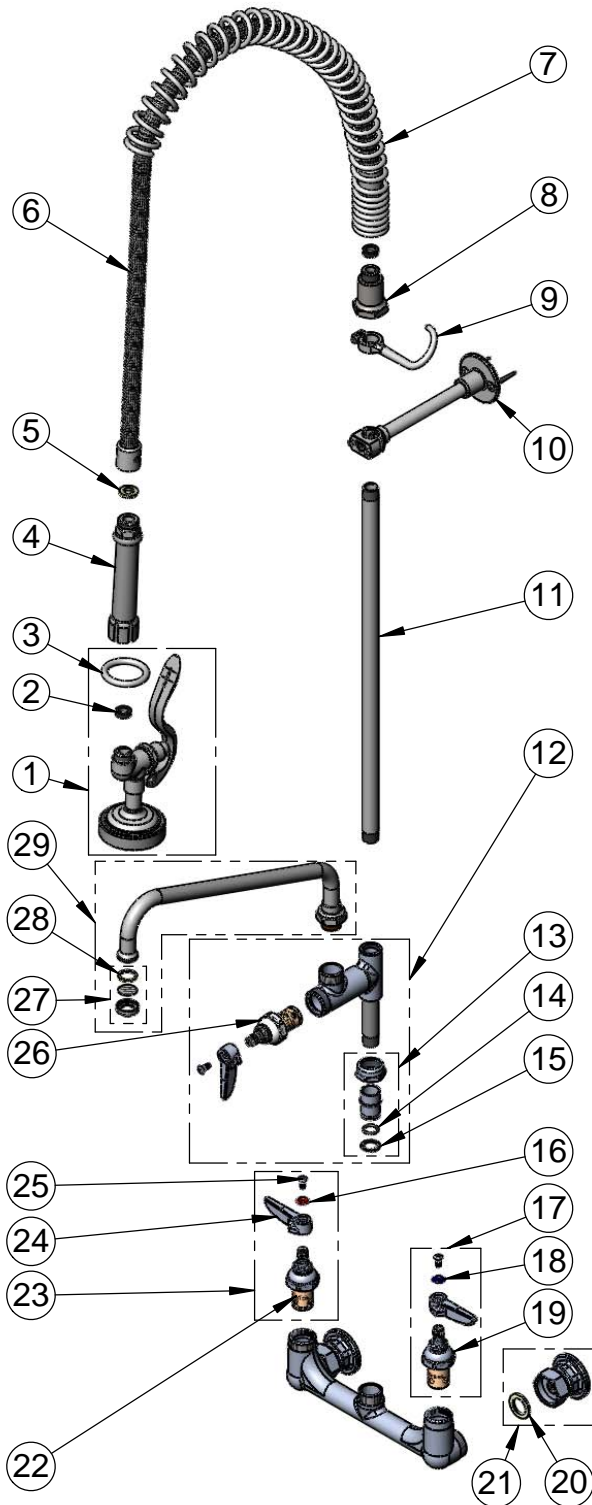
REG. #A2601  
ISO #9001

Model No.

**B-0133-ADF12-B**

Item No.

Travelers Rest, SC: 800-476-4103 • Simi Valley, CA: 800-423-0150 • Fax: 864-834-3518 • www.tsbrass.com



ITEM NO.	SALES NO.	DESCRIPTION
1	B-0107	Spray Valve Assembly
2	010476-45	#27 Washer
3	000907-45	Spray Valve Hold Down Ring
4	002987-40	Grip Handle Assembly
5	001014-45	Washer, B-0100 Hose Barrel
6	B-0044-H2A	68" SS Flex Hose w/o Handle
7	000888-45	EasyInstall Overhead Spring
8	000821-40	Spring Body
9	004R	Finger Hook Assembly
10	B-0109-01	6" Wall Bracket
11	000369-40	3/8" NPT x 18" Long Riser
12	B-0155-LNEZ	EasyInstall Add-On Faucet Less Nozzle
13	EZ-K	EasyInstall Retro Fit Kit, Nut, Bushing O-Ring & Lock Washer
14	001065-45	EasyInstall O-Ring
15	014200-45	Star Washer, Anti-Rotation
16	001661-45	Red Index-HW
17	002711-40	Cold Eterna Cartridge w/ Spring Check, Handle, Index & Screw
18	001660-45	Blue Index-CW
19	012442-40	Cold Eterna Cartridge w/ Spring Check
20	001019-45	Coupling Nut Washer
21	00AA	Coupling Flange Assembly
22	012443-40	Hot Eterna Cartridge w/ Spring Check
23	002712-40	Hot Eterna Cartridge w/ Spring Check, Handle, Index & Screw
24	001638-45	Lever Handle
25	000922-45	Lever Handle Screw
26	007947-40	Quarter Turn Hot Eterna Cartridge
27	B-PT	Stream Regulator Outlet
28	001048-45	Nozzle Tip Washer
29	062X	12" Swing Nozzle Assembly

**Product Specifications:**

EasyInstall Pre-Rinse Wall Mount Mixing Faucet, Eterna Cartridges w/ Spring Checks, B-0044-H Stainless Steel Flex Hose, B-0107 Spray Valve, 6" Wall Bracket & Add-On Faucet w/ 12" Swing Nozzle

Drawn	Checked	Approved
JRM	DMH	JHB
Scale:		Date:
NTS		07/14/11