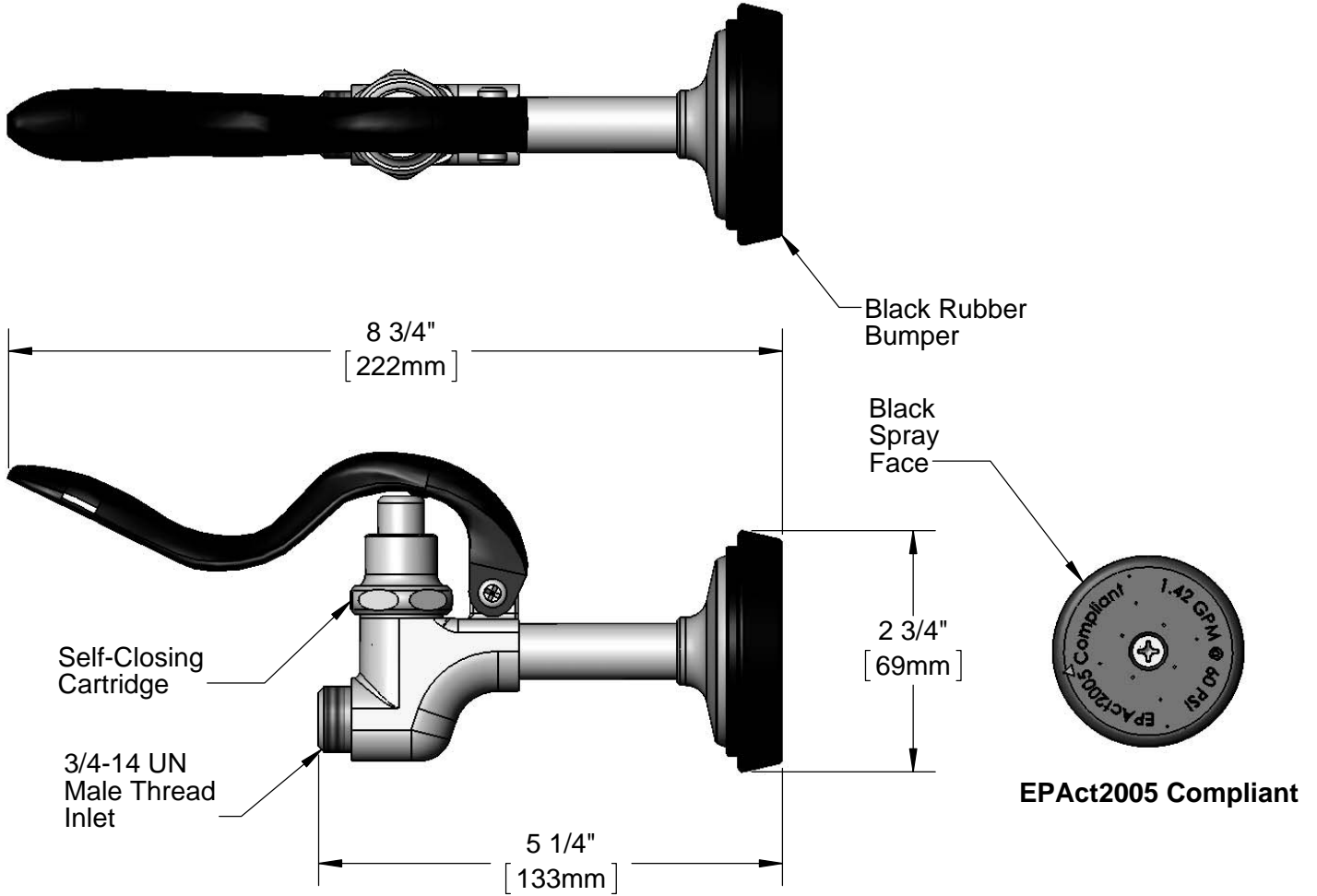


This Space for Architect/Engineer Approval

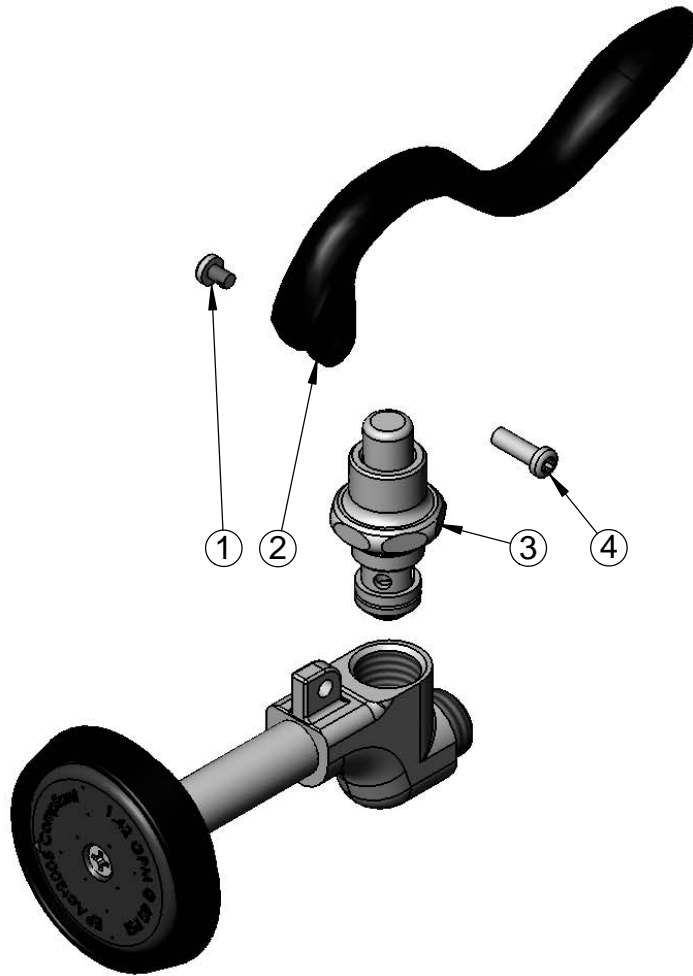
Job Name _____ Date _____
 Model Specified _____ Quantity _____
 Customer/Wholesaler _____
 Contractor _____
 Architect/Engineer _____



Model Number 5SV	Date 11/02/12	Scale 1:2	Drawn DHL	Checked DHM	Approved JHB
---------------------	------------------	--------------	--------------	----------------	-----------------

	Product Specifications: Pre-Rinse Unit: Black 1.42 GPM Spray Valve
	equip Foodservice Accessories 2 Saddleback Cove, P.O. Box 1088 Travelers Rest, South Carolina 29690 Phone: 800.891.4808 Fax: 800.868.0084

ITEM NO.	SALES NO.	DESCRIPTION
1	003199-45	Handle Screw, Spray Valve
2	5SV-HDL	equip Black Spray Valve Handle
3	002856-40	Bonnet Asm, Spray Valve
4	003198-45	Handle Nut, Spray Valve



Model Number 5SV	Date 11/02/12	Scale NTS	Drawn DHL	Checked DHM	Approved JHB
---------------------	------------------	--------------	--------------	----------------	-----------------



Product Specifications:
Pre-Rinse Unit: Black 1.42 GPM Spray Valve

equip Foodservice Accessories
2 Saddleback Cove, P.O. Box 1088
Travelers Rest, South Carolina 29690
Phone: 800.891.4808 Fax: 800.868.0084