



T&S BRASS AND BRONZE WORKS, INC.

2 Saddleback Cove / P.O. Box 1088
Travelers Rest, SC 29690



REG. #A2601
ISO #9001

Model No.
B-0107

Item No.

Travelers Rest, SC: 800-476-4103 Simi Valley, CA: 800-423-0150 Fax: 864-834-3518 www.tsbrass.com

This Space for Architect/Engineer Approval

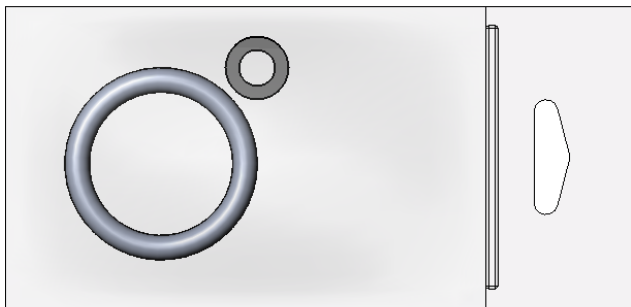
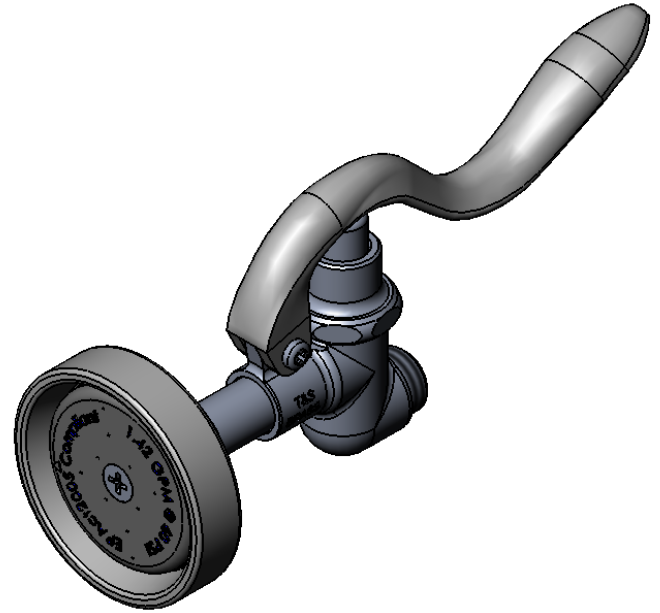
Job Name _____ Date _____

Model Specified _____ Quantity _____

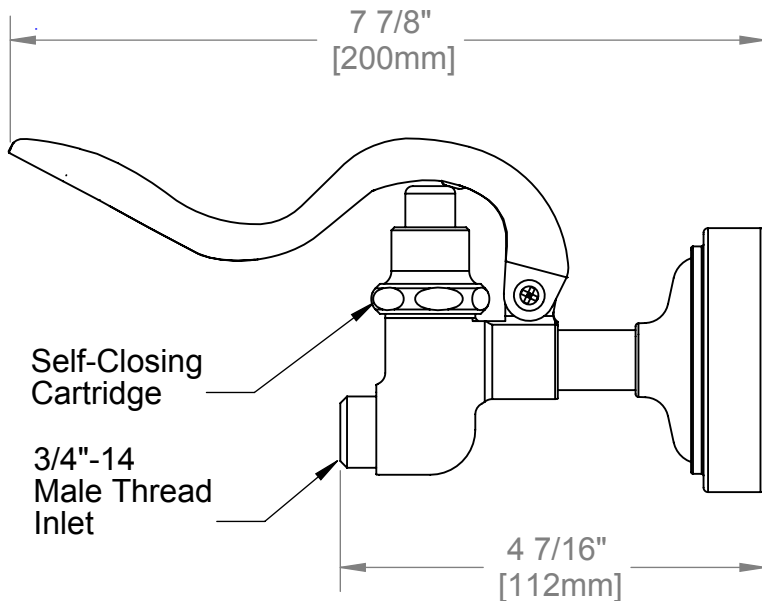
Customer/Wholesaler _____

Contractor _____

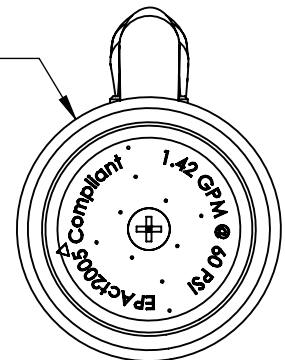
Architect/Engineer _____



Furnished w/ Hose Washer & Hold Down Ring



2 3/4" [70mm] Rubber Bumper



EPA 2005 Compliant

Product Specifications:

Self-Closing Pre-Rinse Spray Valve w/ Rubber Bumper & 1.42 GPM Flow Control Spray Face.

Drawn
DHL

Checked
JRM

Approved
JHB

Scale:

1:2

Date:

8/10/07

Sheet: 1 of 2



T&S BRASS AND BRONZE WORKS, INC.

2 Saddleback Cove / P.O. Box 1088
Travelers Rest, SC 29690



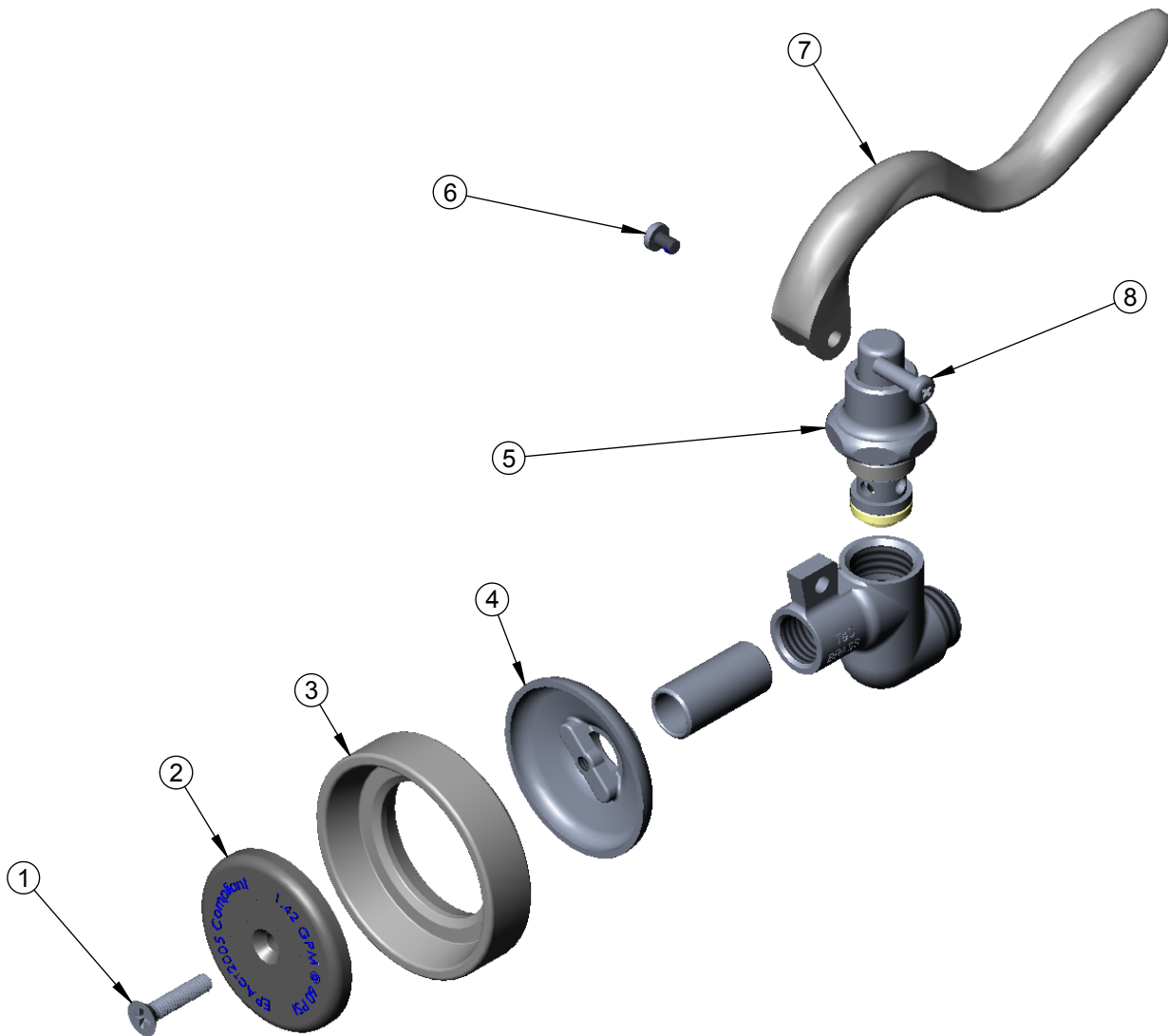
REG. #A2601
ISO #9001

Model No.
B-0107

Item No.

Travelers Rest, SC: 800-476-4103 Simi Valley, CA: 800-423-0150 Fax: 864-834-3518 www.tsbrass.com

ITEM NO.	SALES NO.	DESCRIPTION
1	000913-45	Screw
2	009845-45	Spray Face, B-0107
3	007861-45	Sprayhead Ring, B-0107
4	000019-40	Spray Cup, B-0107
5	002856-40	Bonnet Asm, B-0107
6	003199-45	Handle Screw, B-0107
7	001120-45	Spray Valve Handle
8	003198-45	Handle Nut, B-0107



Product Specifications:

Self-Closing Pre-Rinse Spray Valve w/ Rubber Bumper
& 1.42 GPM Flow Control Spray Face.

Drawn DHL	Checked JRM	Approved JHB
Scale: 1:2		Date: 8/10/07