



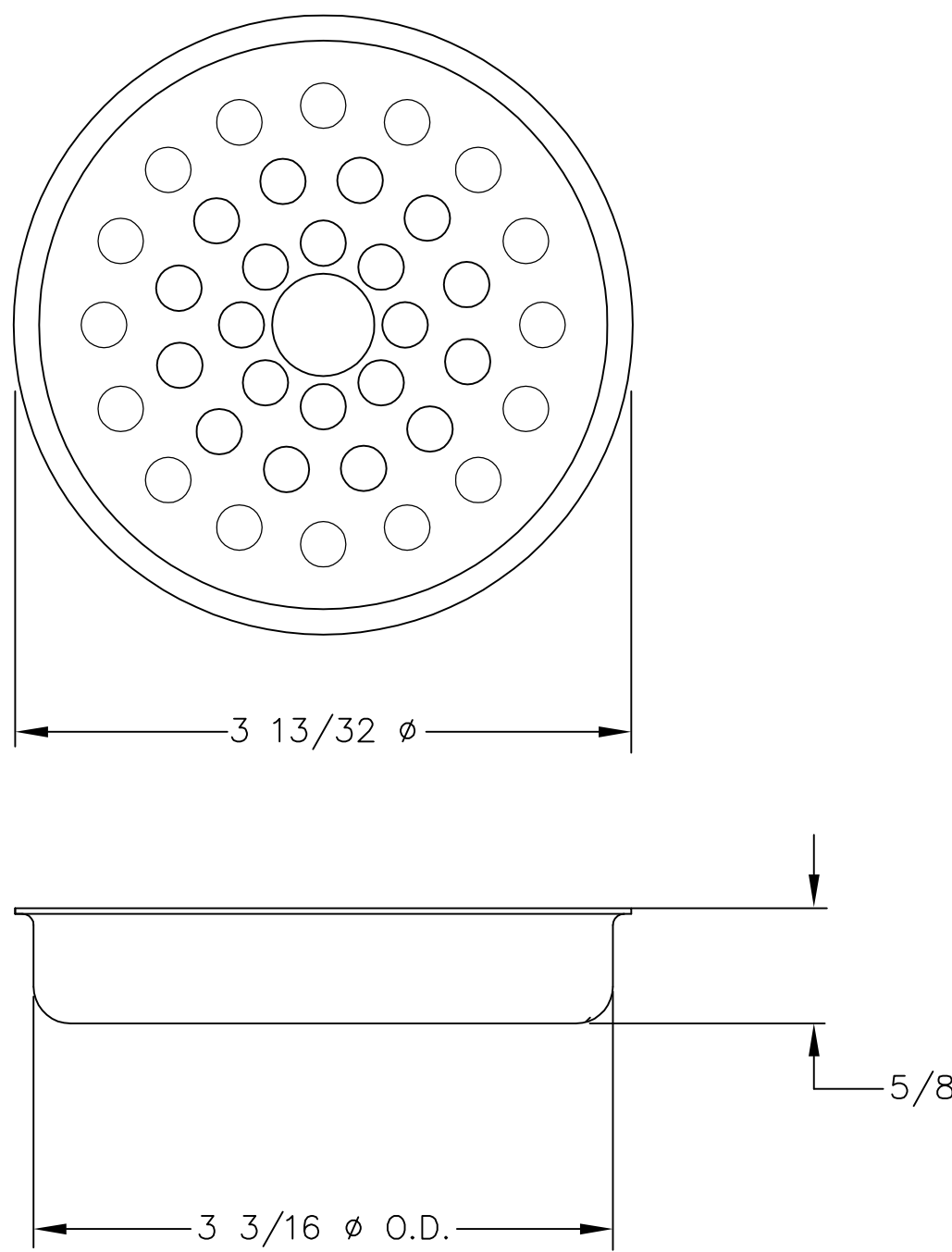
T&S BRASS AND BRONZE WORKS, INC.
 2 SADDLEBACK COVE / P.O. BOX 1088 / TRAVELERS REST, SC 29690
 PHONE 800-476-4103 FAX 864- 834-3518



Model No.
 010387-45
 Item No.:

Job Name: Architect/Engineer Approval:

Notes:



Product Description: CRUMB CUP BASKET STRAINER	Drawn: WJS	Checked DMA	Scale: 1 : 1
	Approved MVW		Date: 1/30/98