



T&S BRASS AND BRONZE WORKS, INC.
 2 Saddleback Cove / P.O. Box 1088
 Travelers Rest, SC 29690



REG. #A2601
 ISO #9001

Model No.
B-0131-B

Item No.

Travelers Rest, SC: 800-476-4103 Simi Valley, CA: 800-423-0150 Fax: 864-834-3518 www.tsbrass.com

This Space for Architect/Engineer Approval

Job Name _____ Date _____

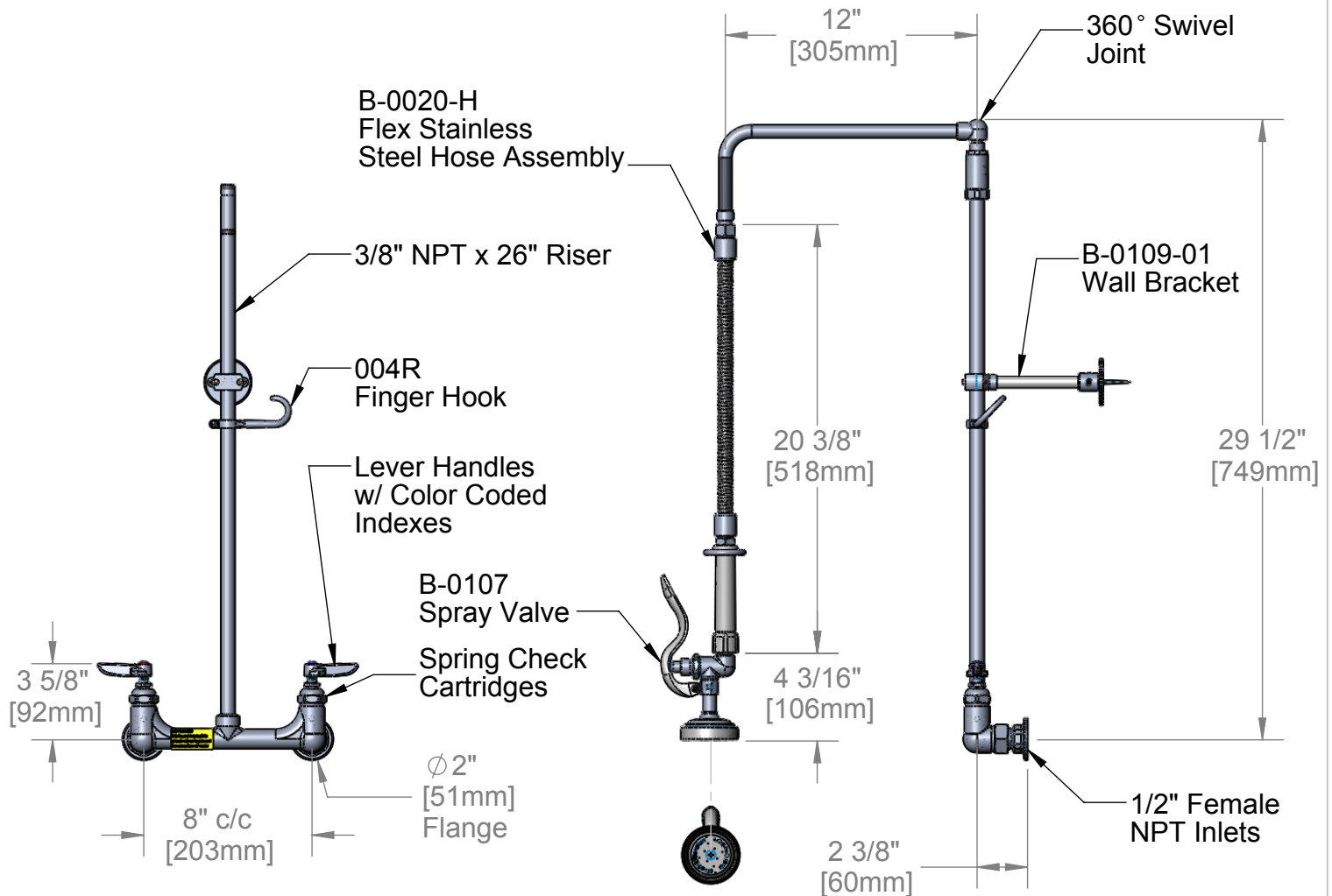
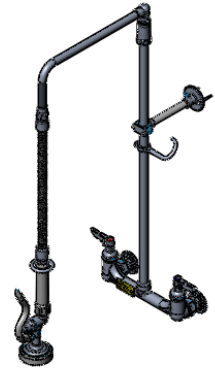
Model Specified _____ Quantity _____

Customer/Wholesaler _____

Contractor _____

Architect/Engineer _____

EPAct 2005 COMPLIANT



Product Specifications:

Pre-Rinse Unit w/ Lever Handles, 1/2" NPT Female Inlets, 26" Riser, B-0020-H Flex Hose, B-0107 Spray Valve & Wall Bracket

Drawn KJG	Checked GEF	Approved JHB
Scale: 1:8	Date: 5/16/08	

Sheet: 1 of 2



T&S BRASS AND BRONZE WORKS, INC.

2 Saddleback Cove / P.O. Box 1088
Travelers Rest, SC 29690



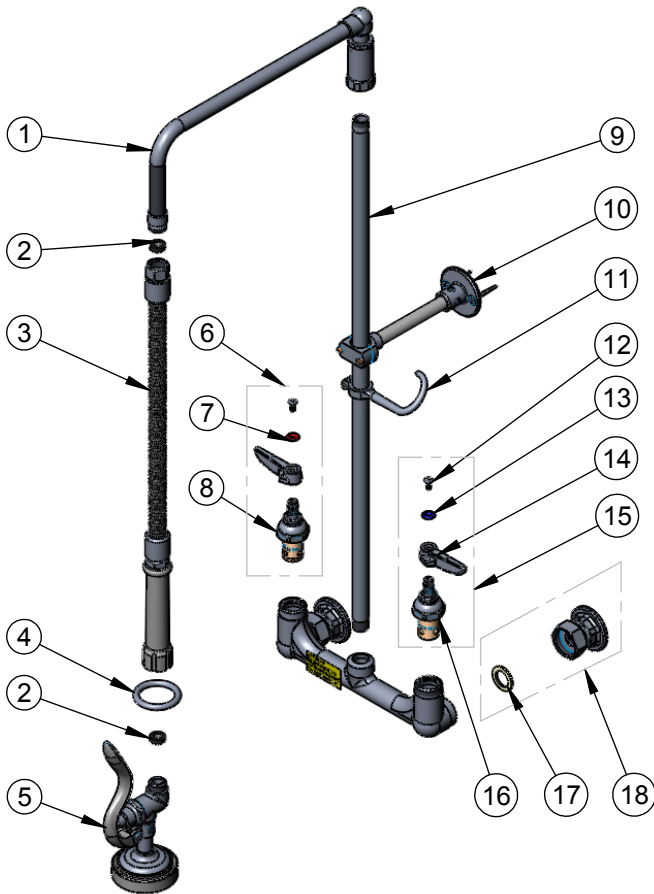
REG. #A2601
ISO #9001

Model No.

B-0131-B

Item No.

Travelers Rest, SC: 800-476-4103 Simi Valley, CA: 800-423-0150 Fax: 864-834-3518 www.tsbrass.com



ITEM NO.	SALES NO.	DESCRIPTION
1	002882-40	L-Tube Assembly, 12"
2	010476-45	#27 Washer
3	B-0020-H	Flex Stainless Steel Hose
4	000907-45	Spray Valve Hold Down Ring
5	B-0107	Spray Valve Asm
6	002712-40	Hot Eterna Spindle Assembly w/ Spring Check, Handle, Index & Screw
7	001661-45	Red Index-HW
8	012443-40	Hot Eterna Spindle Assembly w/ Spring Check
9	000373-40	3/8" NPT, 26" Length Riser
10	B-0109-01	6" Wall Bracket Assembly
11	004R	Finger Hook Assembly
12	000922-45	Lever Handle Screw
13	001660-45	Blue Index-CW
14	001638-45	Lever Handle
15	002711-40	Cold Eterna Spindle Assembly w/ Spring Check, Handle, Index & Screw
16	012442-40	Cold Eterna Spindle Assembly w/ Spring Check
17	001019-45	Coupling Nut Washer
18	00AA	Flange Assembly, 00AA

Product Specifications:

Pre-Rinse Unit w/ Lever Handles, 1/2" NPT Female Inlets, 26" Riser, B-0020-H Flex Hose, B-0107 Spray Valve & Wall Bracket

Drawn KJG	Checked GEF	Approved JHB
Scale: NTS		Date: 5/16/08