



**T&S BRASS AND BRONZE WORKS, INC.**  
 2 Saddleback Cove / P.O. Box 1088  
 Travelers Rest, SC 29690

Model No.  
**012447-25**

Item No.

Travelers Rest, SC: 800-476-4103 • Simi Valley, CA: 800-423-0150 • Fax: 864-834-3518 • www.tsbrass.com



**ADA Compliant**

This Space for Architect/Engineer Approval

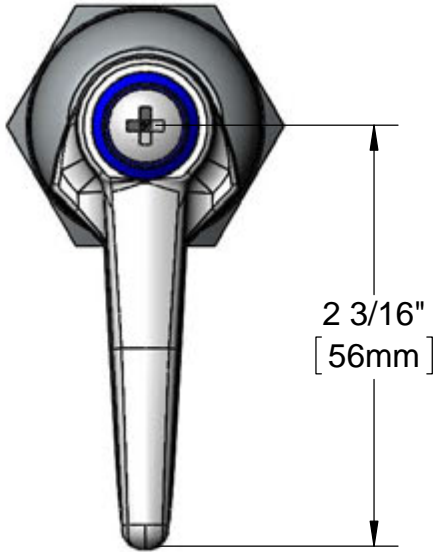
Job Name \_\_\_\_\_ Date \_\_\_\_\_

Model Specified \_\_\_\_\_ Quantity \_\_\_\_\_

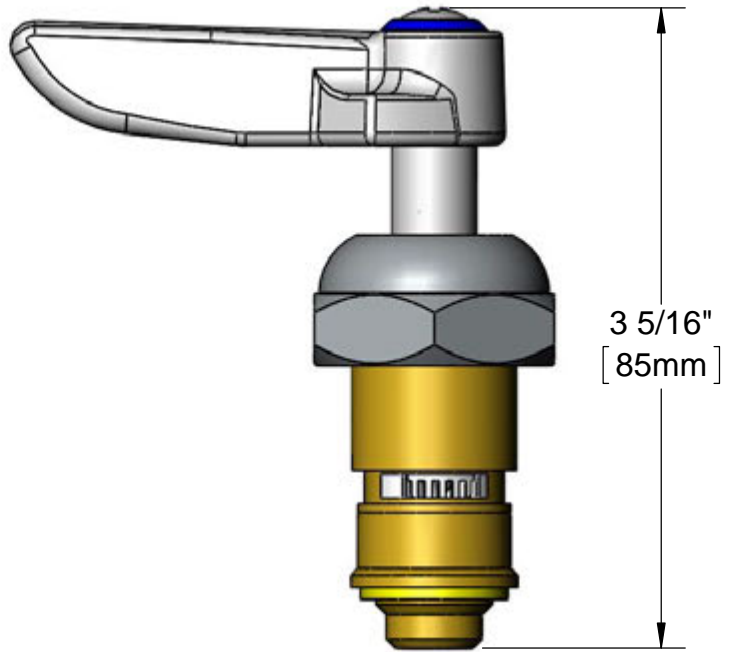
Customer/Wholesaler \_\_\_\_\_

Contractor \_\_\_\_\_

Architect/Engineer \_\_\_\_\_



Bottom Gasket



Product Specifications:  
 Cerama Cartridge, LTC w/ Check Valve, Lever Handle,  
 Index (Blue) & Screw

Drawn  
**DHL**

Checked  
**DMH**

Approved  
**JHB**

Scale:  
**1:1**

Date:  
**3/18/13**