



T&S BRASS AND BRONZE WORKS, INC.

2 SADDLEBACK COVE / P.O. BOX 1088 / TRAVELERS REST, SC 29690

PHONE 800-476-4103

FAX 864- 834-3518



REG. #A2601
ISO #9002

Sales No.

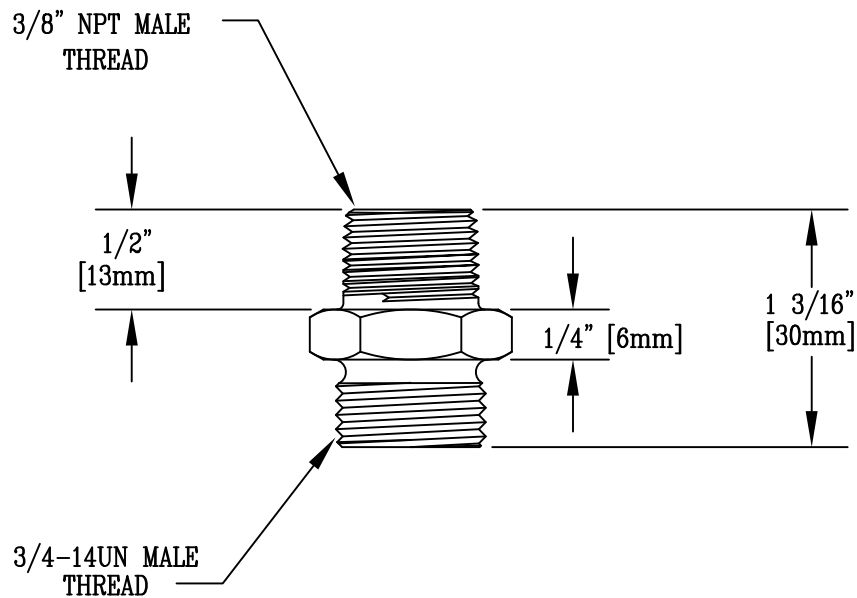
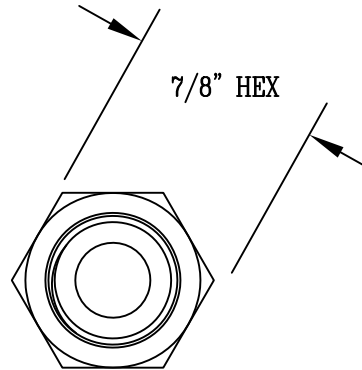
053A

Item No.:

Job Name:

Architect/Engineer Approval:

Notes:



Product Description:

Drawn:

Checked

Scale:

WJS

DMA

1 : 1

Approved

Date:

MVW

3/16/98

ADAPTER, 3/8" NPT MALE x 3/4-14UN MALE
(CHROME-PLATED BRASS)