



# T&S BRASS AND BRONZE WORKS, INC.

2 Saddleback Cove / P.O. Box 1088  
Travelers Rest, SC 29690



REG. #A2601  
ISO #9001

Model No.

**B-0108-C**

Item No.

Travelers Rest, SC: 800-476-4103 Simi Valley, CA: 800-423-0150 Fax: 864-834-3518 www.tsbrass.com

This Space for Architect/Engineer Approval

Job Name \_\_\_\_\_ Date \_\_\_\_\_

Model Specified \_\_\_\_\_ Quantity \_\_\_\_\_

Customer/Wholesaler \_\_\_\_\_

Contractor \_\_\_\_\_

Architect/Engineer \_\_\_\_\_

## EPAct2005 COMPLIANT

Non-Slip Ergonomic Santoprene  
Grip w/ Built-in Heat Dissipation  
Channels  
Crush-Resistant w/ Delrin Waterways

Click here to buy now!



**1-866-285-1252**

Extra Washer For Hose Connections

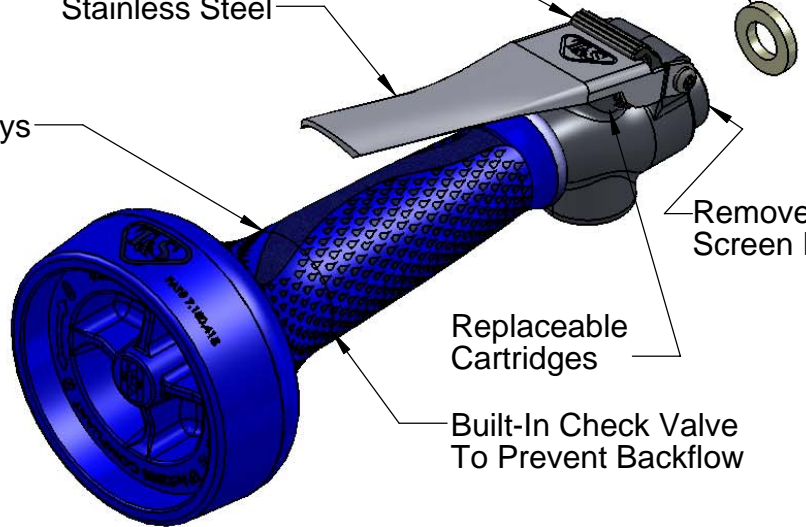
One-Handed Metal Trigger  
Lock w/ Added Anti-  
Rotational Feature

Surgical-Grade Polished  
Stainless Steel

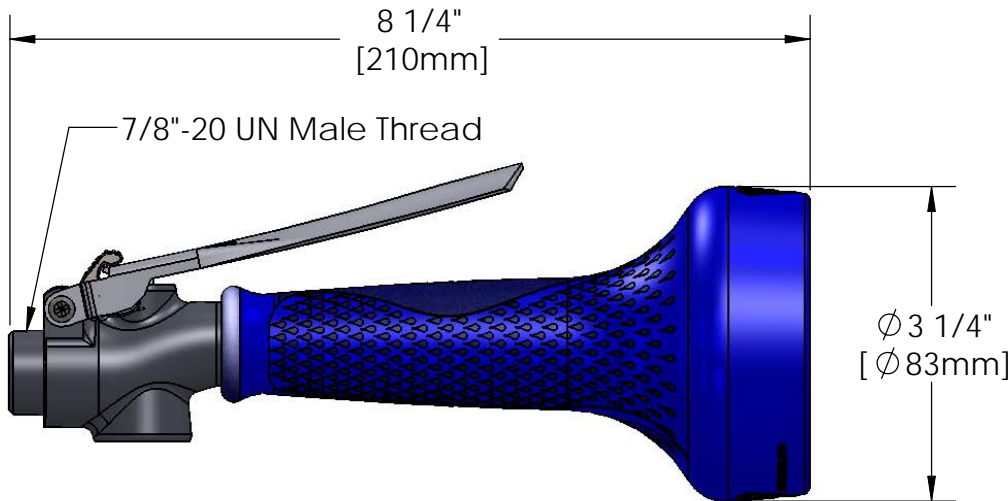
Removeable  
Screen Filter

Replaceable  
Cartridges

Built-In Check Valve  
To Prevent Backflow



0.65 GPM @ 60 PSI  
Optional B-0108  
1.48 GPM Available



### Product Specifications:

**0.65 GPM Spray Valve w/ Ergo-Grip,  
Replaceable Spray Face, &  
Integrated One-Handed Trigger Lock**

Drawn	Checked	Approved
<b>JRM</b>	<b>DMH</b>	<b>JHB</b>
Scale:		Date:
<b>1:2</b>		<b>12/04/09</b>



# T&S BRASS AND BRONZE WORKS, INC.

2 Saddleback Cove / P.O. Box 1088  
Travelers Rest, SC 29690



REG. #A2601  
ISO #9001

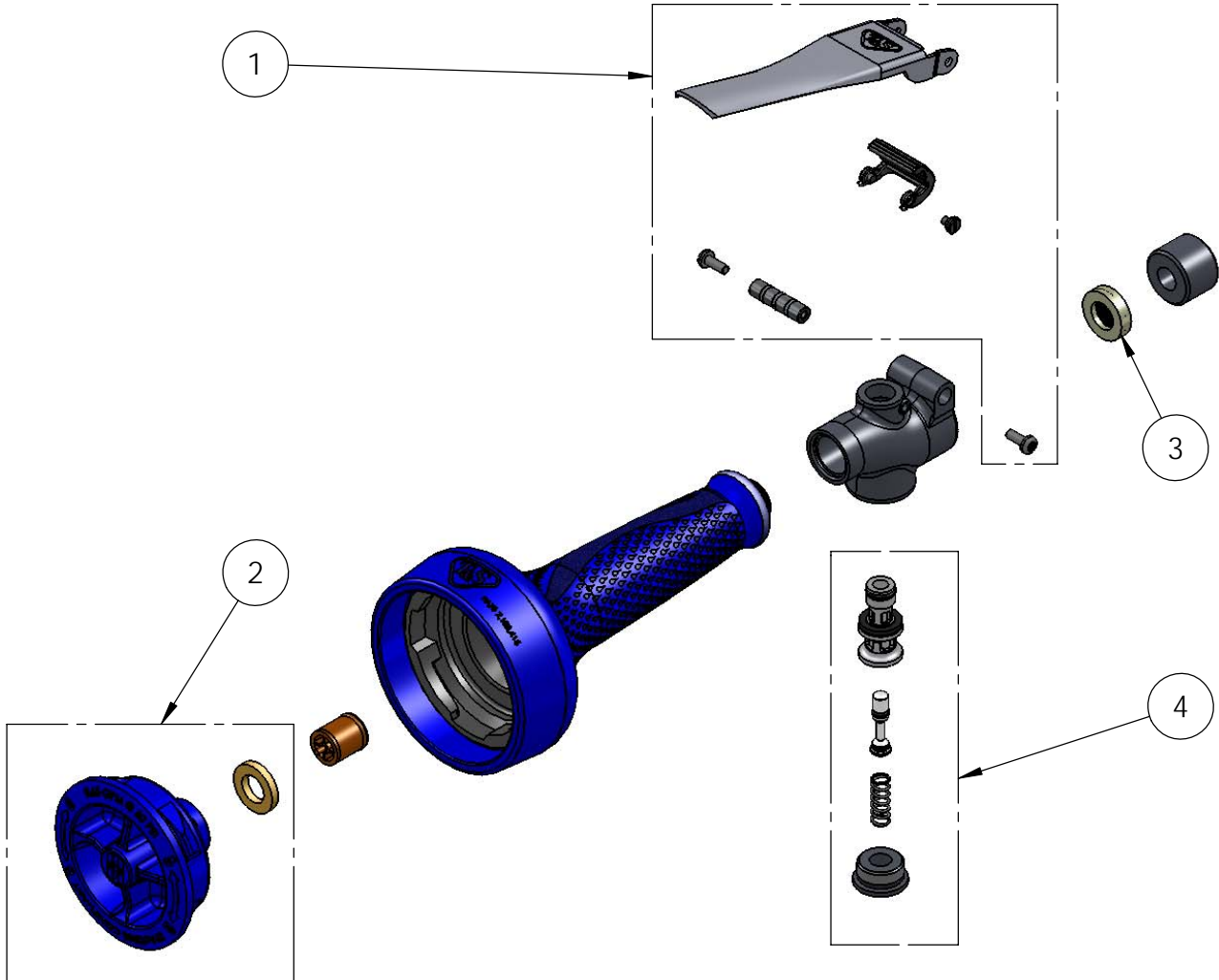
Model No.

**B-0108-C**

Item No.

Simi Valley, CA: 800-423-0150 Fax: 864-834-3518 www.tsbrass.com

ITEM NO.	SALES NO.	DESCRIPTION
1	108T-RK	Trigger Repair Kit
2	108CSF-RK	Spray Face Repair Kit
3	108S-RK	Inlet Screen/Washer Repair Kit
4	108V-RK	Valve Repair Kit



Note:  
Individual Items in Repair Kits  
are not Sold Separately

Product Specifications:  
**0.65 GPM Spray Valve w/ Ergo-Grip,  
Replaceable Spray Face, &  
Integrated One-Handed Trigger Lock**

Drawn <b>JRM</b>	Checked <b>DMH</b>	Approved <b>JHB</b>
Scale: <b>NTS</b>		Date: <b>12/04/09</b>