



**T&S BRASS AND BRONZE WORKS, INC.**

2 Saddleback Cove / P.O. Box 1088  
Travelers Rest, SC 29690

Model No.

**B-0107-J**

Item No.

Travelers Rest, SC: 800-476-4103 • Simi Valley, CA: 800-423-0150 • Fax: 864-834-3518 • www.tsbrass.com

This Space for Architect/Engineer Approval

Job Name \_\_\_\_\_ Date \_\_\_\_\_

Model Specified \_\_\_\_\_ Quantity \_\_\_\_\_

Customer/Wholesaler \_\_\_\_\_

Contractor \_\_\_\_\_

Architect/Engineer \_\_\_\_\_

**EPA Act 2005 Compliant**



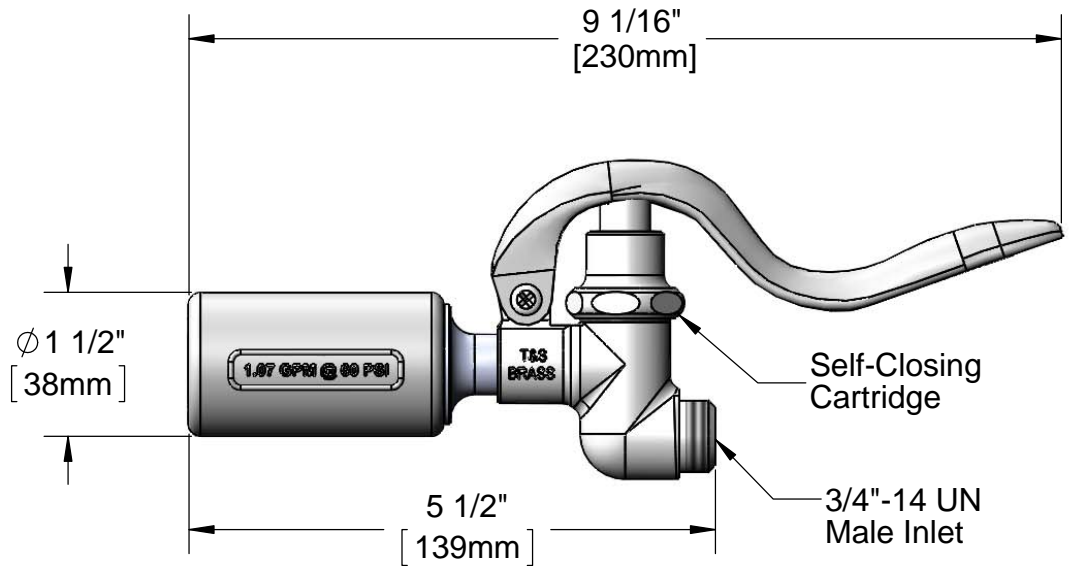
Click here to buy now!



**1-866-285-1252**



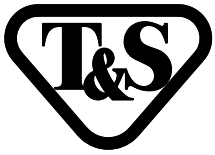
Hose Washer &  
Hold Down Ring  
(Included)



Flow Rate: 1.07 GPM (4.1 Lpm) @ 60 PSI  
Spray Force: 7.2 Ozf (204 Gramf)

Product Specifications:  
Self-Closing Pre-Rinse Spray Valve w/ 1.07 GPM Spray Nozzle

Drawn <b>GEF</b>	Checked <b>JRM</b>	Approved <b>JHB</b>
Scale: <b>1:3</b>		Date: <b>02/21/14</b>



**T&S BRASS AND BRONZE WORKS, INC.**

2 Saddleback Cove / P.O. Box 1088

Travelers Rest, SC 29690

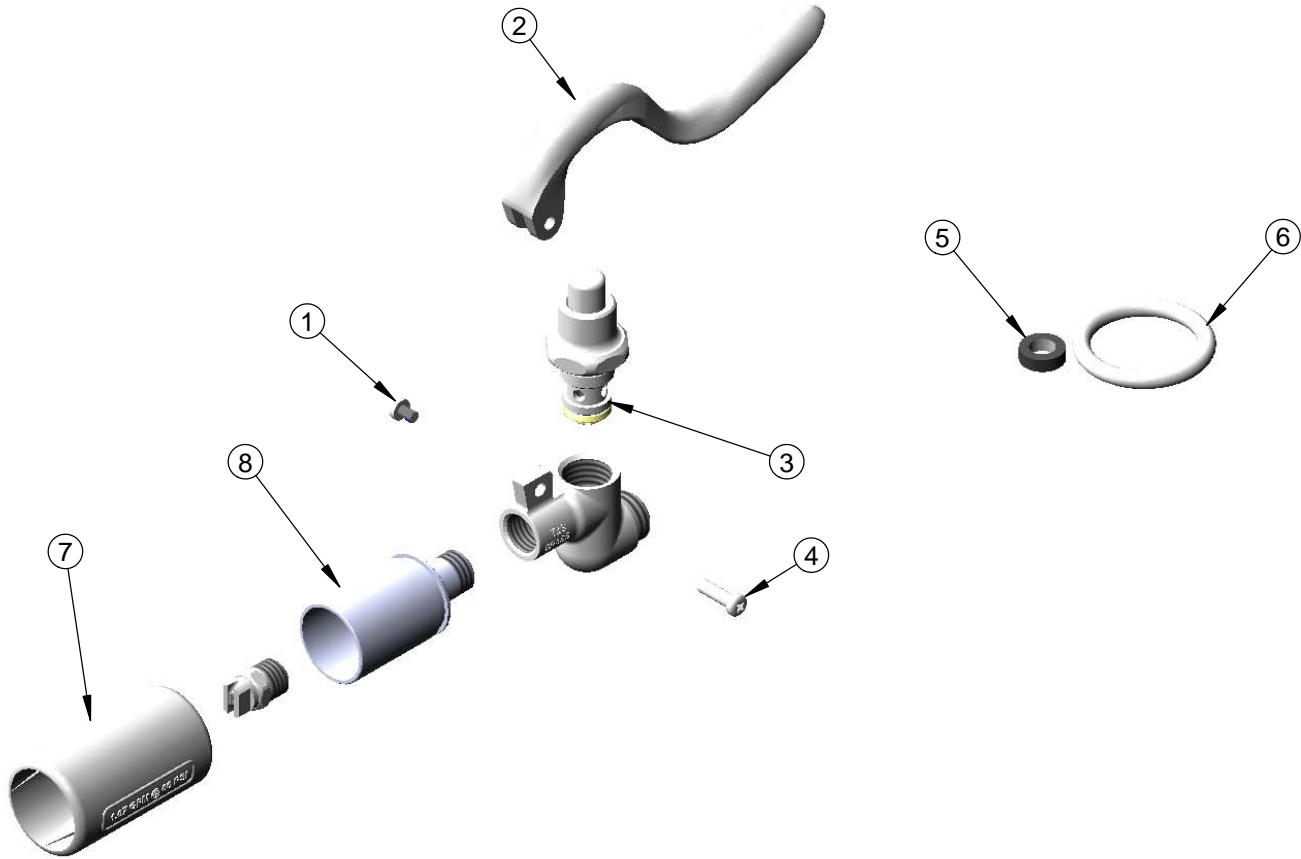
Model No.

**B-0107-J**

Item No.

Travelers Rest, SC: 800-476-4103 • Simi Valley, CA: 800-423-0150 • Fax: 864-834-3518 • www.tsbrass.com

ITEM NO.	SALES NO.	DESCRIPTION
1	003199-45	Spray Valve Handle Screw
2	001120-45	Spray Valve Handle
3	002856-40	Spray Valve Bonnet
4	003198-45	Spray Valve Handle Nut
5	010476-45	#27 Washer
6	000907-45	Ring, Spray Valve Hold Down
7	018292-45	Shield, Low Flow 1.07 GPM
8	003128-25	Low Flow Nozzle Holder



Product Specifications:  
Self-Closing Pre-Rinse Spray Valve w/ 1.07 GPM Spray Nozzle

Drawn

**GEF**

Checked

**JRM**

Approved

**JHB**

Scale:

**NTS**

Date:

**02/21/14**