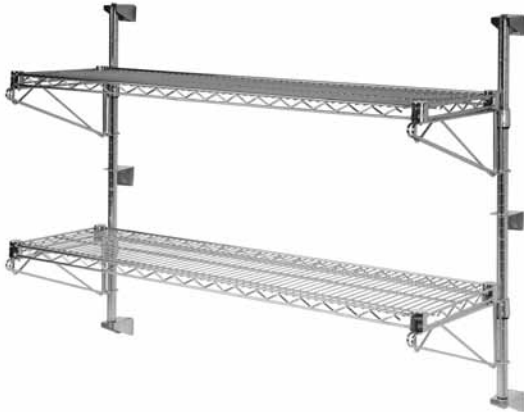


POST-TYPE AND DIRECT WALL MOUNTS

For Wire Shelves

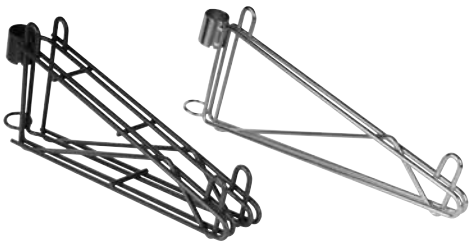


Ideal for storing items conveniently overhead or above work surfaces

Accommodate all 14" (35.5 cm), 18" (45.7 cm), 21" (53.0 cm), and 24" (61.0 cm) wide shelves. Wire lugs on brackets fit corner collar openings on shelves. Chrome plated shelf caps are included to cover openings in tops of shelves.

Choice of single or double supports. Double supports are used for continuous runs of shelving. Single supports are used at each end of a shelf. Available in chromate finish or green epoxy coated.

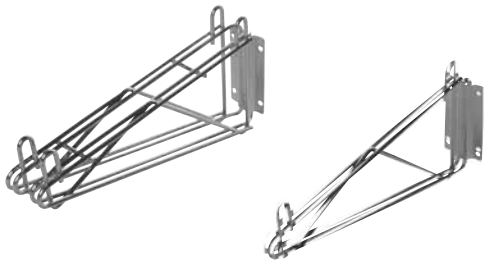
Post-Type Mounts



- **Versatile:** Post-type mounting system can meet your exact needs for wall shelving. Posts and supports are available to hold anything from a single small shelf to many tiers of shelving running continuously along a wall.

- **Fast, Secure Assembly:** Post has grooves along its entire length at 1" (25mm) intervals. Tapered plastic split-sleeves lock around any groove, and matching taper in opening of shelf collar creates secure positioning.

- **Adjustable:** Shelf supports and shelves can be positioned or repositioned on the post in 1" (25mm) increments.

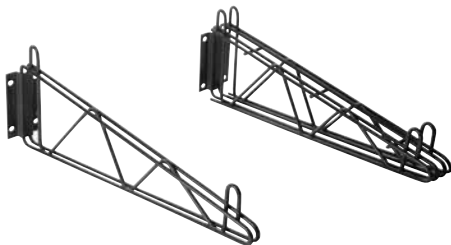


Direct Mounts

- **One-piece construction:** Brackets are securely welded to the mounting plate for greater durability.

- **Easy Installation:** Because mounting plate is welded to the bracket, it is much easier to align and install bracket to a wall.

- **Save Space:** The back of the shelf is within a fraction of an inch from the wall.



Available for 12" wide shelving

POST-TYPE AND DIRECT WALL MOUNTS For Wire Shelves

Job _____

Dimensions

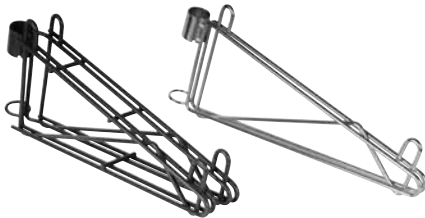
Post-Type Wall Mounts Each post assembly includes one post and 2 mounting brackets (top and bottom). One intermediate bracket is supplied with 33" posts and 2 are supplied with 54" and 63" posts for greater security. *Hardware to mount brackets to wall is NOT included. Please select according to type of wall.* **Order shelves separately.**



Posts

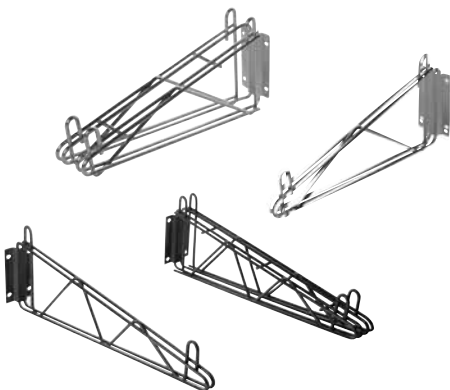
Post Height (in.)	(cm)	Description	Item No. Chromate	Item No. Green Epoxy
13	33.0	Post for single tier	FWPS13CH	FWPS13GN
24	61.0	Post for 2 tiers	FWPS24CH	FWPS24GN
33	83.8	Post for 2 tiers	FWPS33CH	FWPS33GN
54	137.2	Post for 3 tiers	FWPS54CH	FWPS54GN
63	160.0	Post for 4 tiers	FWPS63CH	—

Shelf Brackets- Post Mounted



Shelf Width (in.)	(cm)	Description	Item No. Chromate	Item No. Green Epoxy
14	35.6	Single Bracket	FPMB14SCH	FPMB14SGN
18	45.7	Single Bracket	FPMB18SCH	FPMB18SGN
21	53.0	Single Bracket	FPMB21SCH	—
24	61.0	Single Bracket	FPMB24SCH	FPMB24SGN
14	35.6	Double Bracket	FPMB14DCH	FPMB14DGN
18	45.7	Double Bracket	FPMB18DCH	FPMB18DGN
21	53.0	Double Bracket	FPMB21DCH	—
24	61.0	Double Bracket	FPMB24DCH	FPMB24DGN

Direct Wall Mounts Each consists of a shelf support welded to a mounting plate with two chrome plated shelf caps. Use single brackets at shelf ends and double brackets for adjoining shelves. *Hardware to mount brackets to wall is NOT included. Please select according to type of wall.* **Order shelves separately.**



Direct Wall Mounts

Shelf Width (in.)	(cm)	Description	Item No. Chromate	Item No. Green Epoxy
12	30.5	Single Bracket	FWB12SCH	FWB12SGN
14	35.6	Single Bracket	FWB14SCH	FWB14SG
18	45.7	Single Bracket	FWB18SCH	FWB18SG
21	53.3	Single Bracket	FWB21SCH	FWB21SGN
24	61.0	Single Bracket	FWB24SCH	FWB24SGN
12	30.5	Double Bracket	FWB12DCH	FWB12DGN
14	35.6	Double Bracket	FWB14DCH	FWB14DG
18	45.7	Double Bracket	FWB18DCH	FWB18DG
21	53.3	Double Bracket	FWB21DCH	FWB21DGN
24	61.0	Double Bracket	FWB24DCH	FWB24DGN