



Aluminum Dunnage Racks

Stationary & Mobile

Stationary Units

Approved for use in freezers, coolers, displays, as well as packaging and storage areas. These heavy duty all-welded aluminum racks keep product organized and off of the floor. A tremendous selection of standard sizes are available that fit a wide variety of applications and allow you to maximize your space. Weight capacities range between 2,000 and 3,000 pounds.



Mobile Units

Ideal for almost any storage application. These versatile mobile racks eliminate wasted storage space. Their sanitary all-weld construction eliminates cracks and crevices that trap dirt. These units easily move loads up to 1200 pounds with their quiet and smooth rolling 5" polyurethane plate casters. Two locking casters allow you to secure unit when loading or unloading. Optional handle is available to make pushing unit easier.

Built to Last

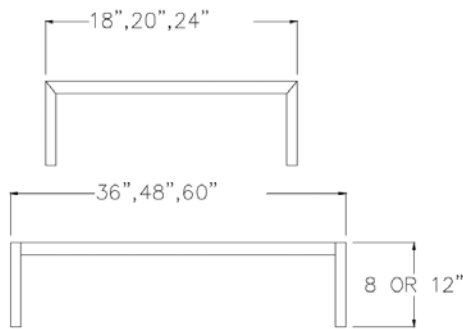
Each rack carries a Lifetime Guarantee against rust and corrosion as well as a 5 Year guarantee against material defects and workmanship.

FOCUS ALUMINUM DUNNAGE RACKS – STATIONARY & MOBILE

Job _____

Stationary Units - Specifications

- **Material:** High tensile extruded aluminum tube, 1.5" x 1.75" x 0.07" wall thickness, uniform throughout. Primary aluminum, type 6063-T5 alloy.
- **Construction:** All heli-arc welded. All seams welded, feet capped and welded.
- **Weight Capacity:** see table
- **NSF Certified**



Focus Item #	Size	Wt. Cap.	# of Support Bars	Ship Wt.(lbs)
FHADR36188	36" x 18" x 8"	3000 lbs	4	8.8
FHADR361812	36" x 18" x 12"	3000 lbs	4	9.8
FHADR362012	36" x 20" x 12"	3000 lbs	4	10.0
FHADR36248	36" x 24" x 8"	2500 lbs	5	10.5
FHADR362412	36" x 24" x 12"	2500 lbs	5	11.0
FHADR48188	48" x 18" x 8"	2500 lbs	4	11.0
FHADR481812	48" x 18" x 12"	2500 lbs	4	12.0
FHADR48208	48" x 20" x 8"	2500 lbs	4	11.0
FHADR482012	48" x 20" x 12"	2500 lbs	4	12.0
FHADR48248	48" x 24" x 8"	2500 lbs	5	13.5
FHADR482412	48" x 24" x 12"	2500 lbs	5	14.0
FHADR60188	60" x 18" x 8"	2000 lbs	4	13.0
FHADR601812	60" x 18" x 12"	2000 lbs	4	13.5
FHADR602012	60" x 20" x 12"	2000 lbs	4	14.0
FHADR60248	60" x 24" x 8"	2000 lbs	5	16.5
FHADR602412	60" x 24" x 12"	2000 lbs	5	18.0

Mobile Units - Specifications

- **Material:** High tensile extruded aluminum tube, 1.5" x 1.5" x 0.07" wall thickness, uniform throughout. Primary aluminum, type 6063-T5 alloy.
- **Construction:** All heli-arc welded.
- **Weight Capacity:** Maximum distributed load capacity is 1200 lbs.
- **Castors:** Platform type with 1-1/4" x 5" diameter wheel, thermoplastic rubber tread and ball bearing axle. Two swivel with brakes and two rigid.
- **NSF Certified**

Focus Item #	Size (l x w)	Wt. Cap.	# of Support Bars	Ship Wt.(lbs)
FMADR2420	24" x 20"	1200 lbs	4	17.0
FMADR3620	36" x 20"	1200 lbs	4	19.0
FALHDL20	Optional Handle for 20" units			4.0
FMADR3624	36" x 24"	1200 lbs	5	20.0
FMADR4824	48" x 24"	1200 lbs	5	22.0
FALHDL24	Optional Handle for 24" units			4.0

