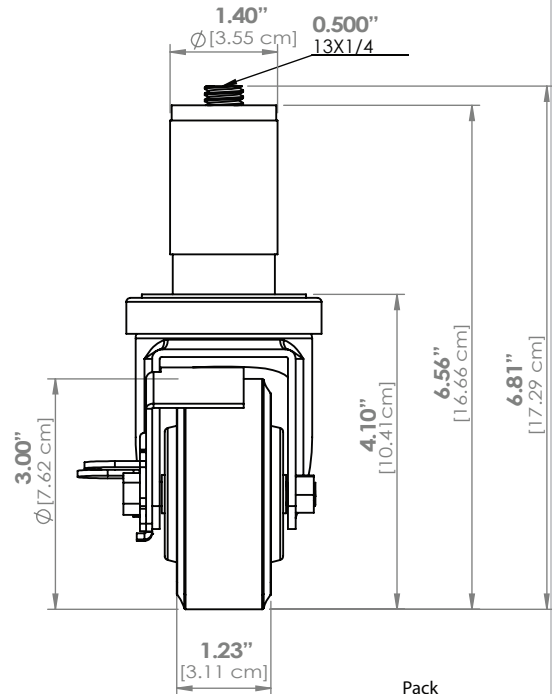
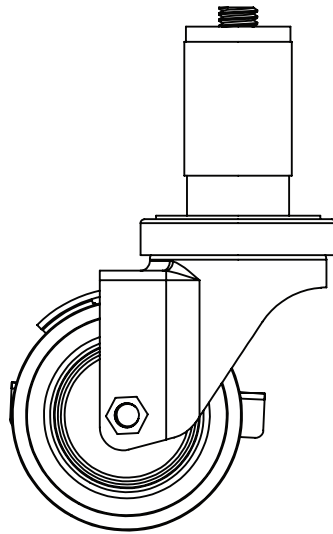
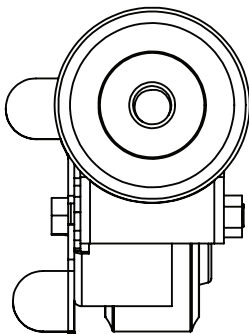




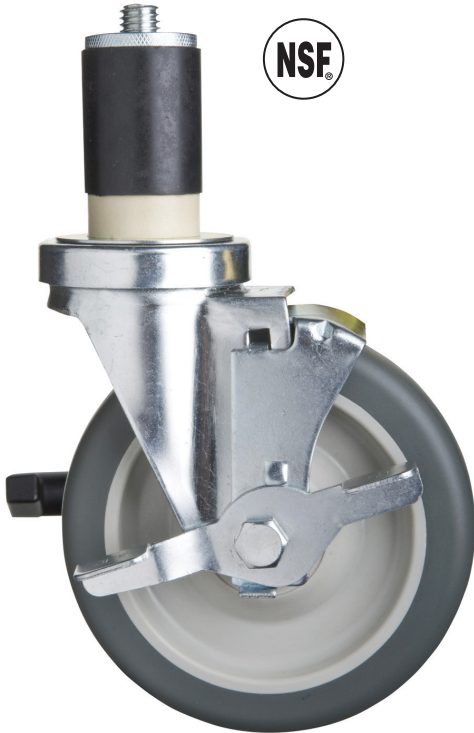
3" POLYURETHANE EXPANDABLE STEM CASTERS [FECST3]

- **Design:** 3" (7.6 cm) diameter, 1" (2.5 cm) face, heavy-duty, non-marking polyurethane wheel with rubber stem casters that expand inside worktable legs when tightened for a snug fit.
- **Load Rating:** Each caster has a load rating of 200 lbs. (91 kg).



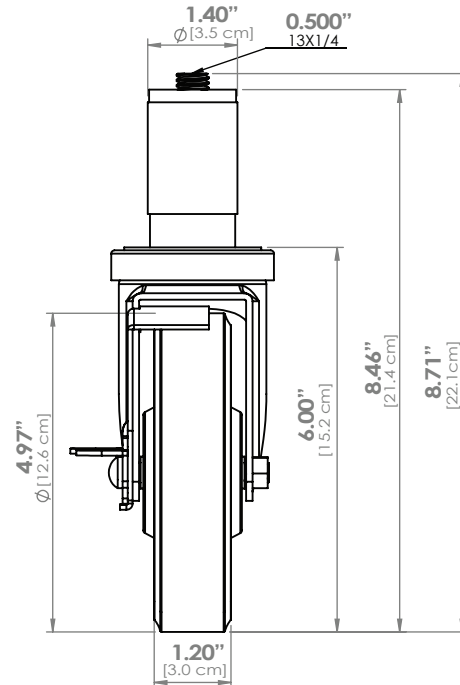
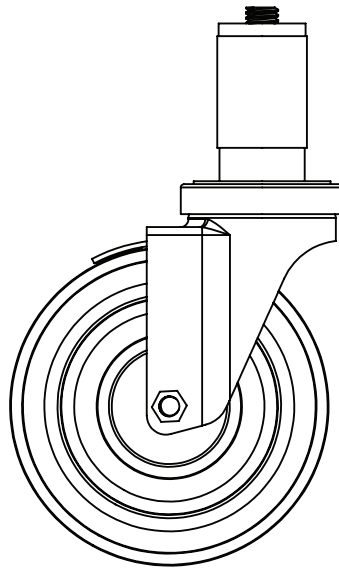
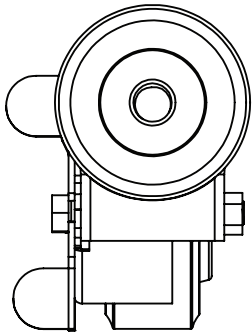
Item #	Description	Pack
FECST3*	Set of 4 each 3" (7.6 cm) expandable stem casters with brakes	4 sets
FECST3E	Individual 3" (7.6 cm) expandable stem caster with brake	4

* Shipped in full color trilingual merchandising carton.



5" POLYURETHANE EXPANDABLE STEM CASTERS FOR WORKTABLES [FECST5]

- **Design:** 5" (12.7 cm) diameter, 1" (2.5 cm) face, heavy-duty, non-marking polyurethane wheels with rubber stems casters that expand inside worktable legs when tightened for a snug fit.
- **Load Rating:** Each caster has a load rating of 250 lbs. (113 kg).



Item #	Description	Pack
FECST5*	Set of 4 each 5" (12.7 cm) expandable stem casters with brakes	4 sets
FECST5E	Individual 5" (12.7 cm) expandable stem caster with brake	4

* shipped in full color trilingual merchandising carton

5" POLYURETHANE EXPANDABLE STEM CASTERS