

## Airpots/Thermal Pitcher



**Model 2.2 liter  
Push-Button Airpot**  
Dimensions:  
16.4" H x 6.1" W x 7.9" D  
(42cm H x 16cm W x 20cm D)



**Model 3.8 liter  
Lever-Action Airpot**  
Dimensions:  
17.6" H x 6.3" W x 9" D  
(44.7cm H x 16cm W x 23cm D)



**Model 2.5 liter  
Lever-Action Airpot**  
Dimensions:  
14.6" H x 6.3" W x 9" D  
(37cm H x 16cm W x 23cm D)



**Model 1.9 liter  
Thermal Pitcher**  
Dimensions:  
11.3" H x 6.5" W x 5.5" D  
(28.7cm H x 16.5cm W x 14cm D)

### Features

#### Push-Button Airpots

- Brew-through insert.
- Just close the lid after brewing—dispenses up to 4 ounces at the first pump.
- Glass insulation keeps beverage hot for hours.
- Attractive, chrome finish with black trim.
- Available in 2.2 liter (74 oz.) and 2.5 liter (84 oz.)

#### Lever-Action Airpots

- Stainless steel lining ensures hot coffee for hours.
- Brew-through insert.
- Available in 2.5 liter (84 oz.), 3.0 liter (102 oz.) and 3.8 litre (128 oz.)

#### Thermal Pitcher

- Stainless steel lining ensures hot coffee for hours.
- Brew-through lid feature.
- Available in 1.9 liter (64 oz.)

For current specification sheets and other information, go to [www.bunn.com](http://www.bunn.com).

### Related Products

#### BUNN Advantage Coffee-iser

SET No. : SET00.0076

The Advantage Coffee-iser with graphic canopy adds stopping power and positions your product to increase coffee sales and profits.

For push-button and lever-action airpots. See page A3.7 for more information.



#### Universal Airpot Racks

for push-button and lever-action airpots. See page A3.9 for more information.



#### Airpot Racks

for push-button airpots only. See page A3.8 for more information.



#### Model

Push-Button Airpot  
Lever-Action Airpot  
Thermal Pitcher

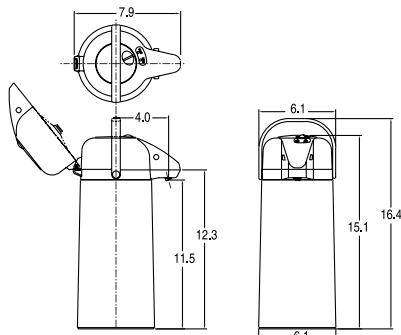
#### Agency Listing



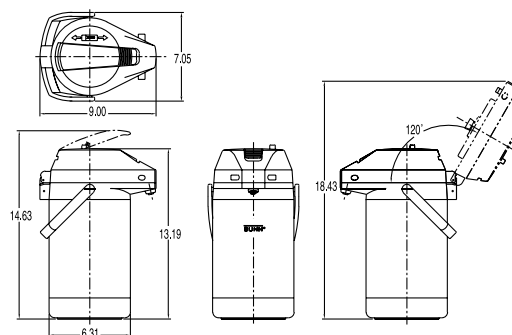
## Dimensions & Specifications

| Model                          | Product #  | Capacity             | Quantity          | Cu. Ft. | Shipping Weight |
|--------------------------------|------------|----------------------|-------------------|---------|-----------------|
| 2.2 liter Push-Button Airpot   | 28696.0002 | 2.2 liters (74 oz.)  | single unit       | 1.3     | 4.5 lbs.        |
| 2.2 liter Push-Button Airpot   | 28696.0000 | 2.2 liters (74 oz.)  | 6 units to a case | 2.8     | 24 lbs.         |
| 2.5 liter Push-Button Airpot   | 13041.0001 | 2.5 liters (84 oz.)  | single unit       | 1.2     | 5 lbs.          |
| 2.5 liter Push-Button Airpot   | 13041.0101 | 2.5 liters (84 oz.)  | 6 units to a case | 2.8     | 25 lbs.         |
| 2.5 liter Lever-Action Airpot* | 32125.0000 | 2.5 liters (84 oz.)  | single unit       | 1.2     | 5.3 lbs.        |
| 2.5 liter Lever-Action Airpot* | 32125.0100 | 2.5 liters (84 oz.)  | 6 units to a case | 2.8     | 32 lbs.         |
| 3.0 liter Lever-Action Airpot* | 32130.0000 | 3.0 liters (102 oz.) | single unit       | 1.2     | 5.8 lbs.        |
| 3.0 liter Lever-Action Airpot* | 32130.0100 | 3.0 liters (102 oz.) | 6 units to a case | 2.8     | 35 lbs.         |
| 3.8 liter Lever-Action Airpot* | 36725.0000 | 3.8 liters (128 oz.) | single unit       | .81     | 7 lbs.          |
| 3.8 liter Lever-Action Airpot* | 36725.0100 | 3.8 liters (128 oz.) | 6 units to a case | 4.9     | 41 lbs.         |
| 1.9 liter Thermal Pitcher      | 39430.0000 | 1.9 liters (64 oz.)  | single unit       | .25     | 3 lbs.          |
| 1.9 liter Thermal Pitcher      | 39430.0100 | 1.9 liters (64 oz.)  | 6 units to a case | 1.5     | 17 lbs.         |

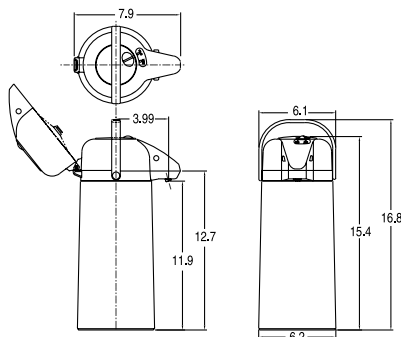
\*Note: Stainless Steel Liner.



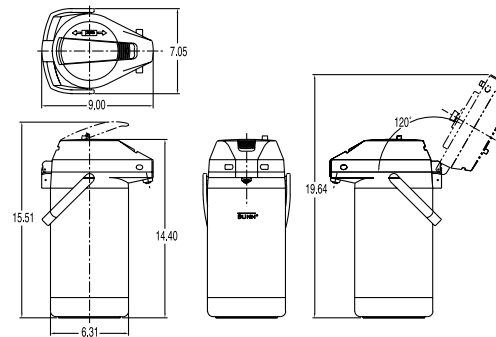
2.2 liter Push-Button Airpot



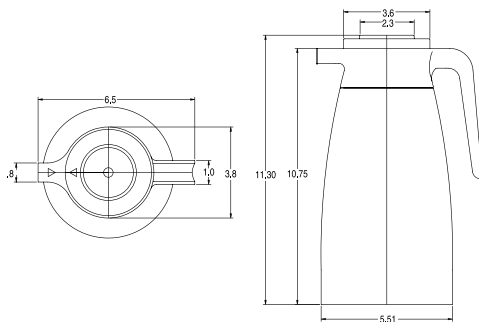
2.5 liter Lever-Action Airpot



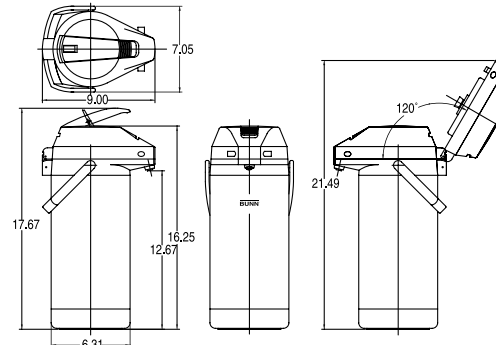
2.5 liter Push-Button Airpot



3.0 liter Lever-Action Airpot



1.9 liter Thermal Pitcher



3.8 liter Lever-Action Airpot

BUNN Corporation - 1400 Stevenson Drive Springfield, Illinois 62703 • 800-637-8606 • 217-529-6601 • Fax 217-529-6644 • www.bunn.com

BUNN® practices continuous product research and improvement. We reserve the right to change specifications and product design without notice. Such revisions do not entitle the buyer to corresponding changes, improvements, additions or replacements for previously purchased equipment.

All dimensions shown in inches. Bunn Corporation owns all copyrights relating to materials in this publication. Please contact Bunn Corporation to request permission to reproduce any portion of this publication.