

# ITCB-DV HV (High Volume)

Height: 35.0" Width: 10.0" Depth: 24.3"  
(88.9cm) (25.4cm) (61.7cm)



- Sleek modernized design language, with rounded angles on the corners and trunk
- Brews into 1.5 gallon and 1.0 gallon BUNN Thermofresh servers for coffee, and TD4T, TDO and TDO-N tea dispensers
- Digital readout displays in English, Spanish, or French --- for easier programming and control
- BUNN Infusion Series technology allows for multiple recipes from one footprint --- with three brew buttons and two batch sizes
- Tea brewing capability built-in with integrated dilution nozzle, software and Quick Brew tea brewing funnel
- Energy-saver mode reduces tank temperature during idle periods
- Exclusive Peak Extraction™ Sprayhead is multi-directional with a 17-hole design to ensure ultimate uniformity of extraction
- Electronic funnel lock prevents removal of each brew funnel until drip- through is complete
- USB programming capable
- Brew counter keeps track of how many batches are brewed
- Pre-infusion and pulse brew for maximum flavor extraction. Cold brew lockout & digital temperature control further ensure top-notch brewing.
- Includes overlay kit for customization of brewer interface
- Hot water faucet (supplied for custom installation)

Servers Sold Separately

Agency:



## Specifications

**Product #:** 52300.0100

**Water Access:** Plumbed

**Interface:** Wireless

**Finish:** Stainless

## Additional Features

## Electrical & Capacity

Volts*	Amps	Watts	Cord Attached	Plug Type	8oz cups/hr 236ml cups/hr	Input H <sub>2</sub> O Temp.	Phase	# Wires plus Ground	Hertz
120	14	1700	Yes	NEMA 5-15P	82	60°F (15.5°C)	1	2	60
120/208	14	2900	-	N/A	136	60°F (15.5°C)	1	3	60
120/240	17	4050	-	N/A	181	60°F (15.5°C)	1	3	60

\*When a BUNN is machine rated 120/208-240V, 120/208V or 120/240V, the higher voltage is the supply voltage needed to power the machine. The 120V is there to supply power to some components rated 120V in the machine, but it is not the supply voltage and would not power the machine if the machine is marked with the before mentioned ratings.

## Plumbing Requirements

PSI	kPa	Fitting Supplied	Water Flow Required (GPM)
20-90	138-621	3/8" Male Flare Fitting	1.25

## CAD Drawings

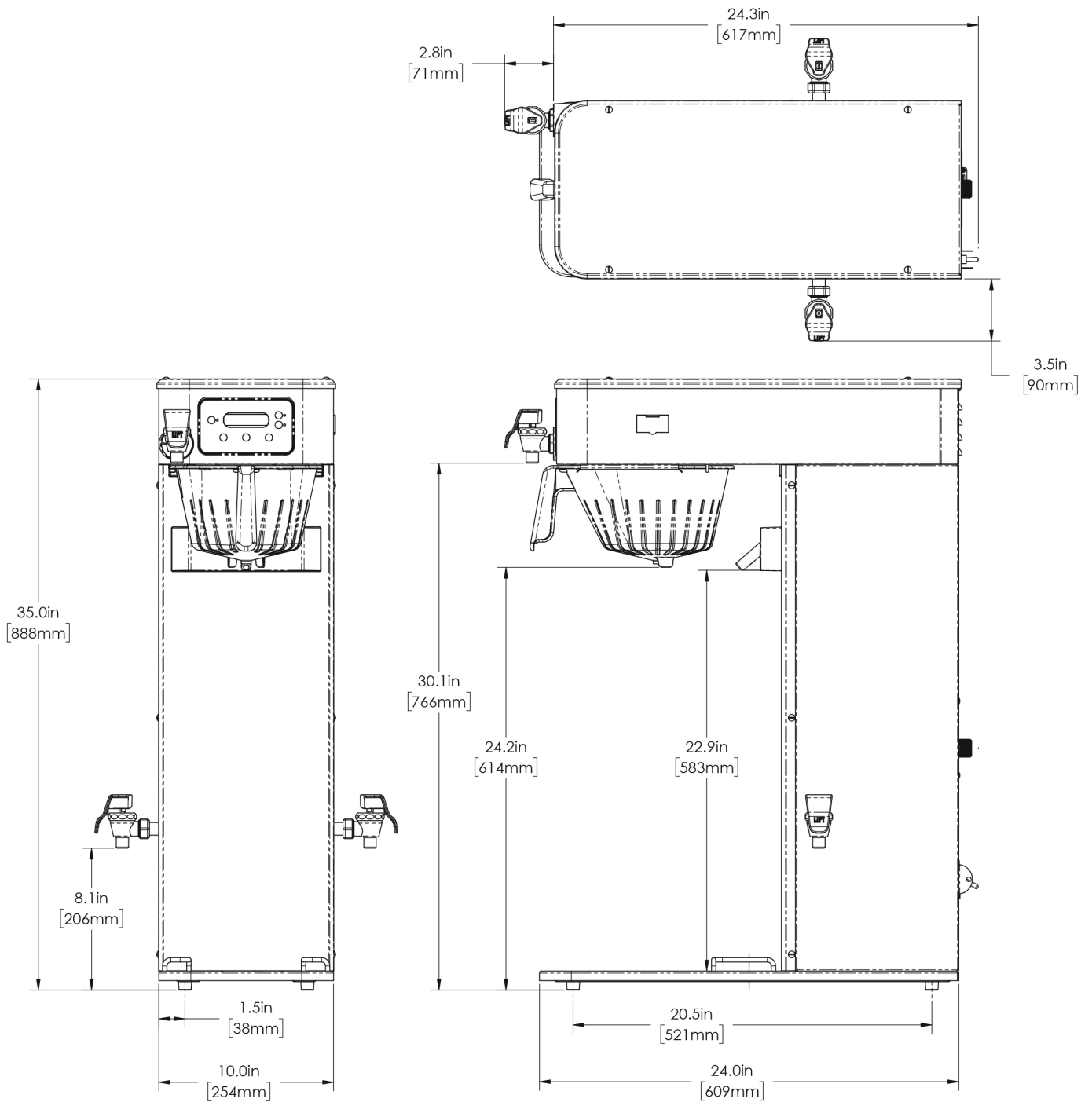
2D	Revit	KLC
●		

**WARNING:** This product can expose you to chemicals including Bisphenol A (BPA), which is known to the State of California to cause birth defects or other reproductive harm. For more information go to [www.P65Warnings.ca.gov](http://www.P65Warnings.ca.gov)



BUNN® reserves the right to change specifications and product design without notice. Such revisions do not entitle the buyer to corresponding changes, improvements, additions or replacements for previously purchased equipment. For most current specifications and other info visit [bunn.com](http://bunn.com).

Last Updated:  
09/14/2022



	Unit			Shipping				
	Height	Width	Depth	Height	Width	Depth	Weight	Volume
English	35.0 in.	10.0 in.	24.3 in.	38.1 in.	14.3 in.	32.3 in.	58.360 lbs	10.139 ft <sup>3</sup>
Metric	88.9 cm	25.4 cm	61.7 cm	96.8 cm	36.2 cm	81.9 cm	26.472 kgs	0.287 m <sup>3</sup>



BUNN® reserves the right to change specifications and product design without notice. Such revisions do not entitle the buyer to corresponding changes, improvements, additions or replacements for previously purchased equipment. For most current specifications and other info visit [bunn.com](http://bunn.com).

Last Updated:  
09/14/2022

# Related Products & Accessories:ITCB-DV HV (High Volume)(52300.0100)



FILTERS, GOURMET 500  
500/1 50/CL

Product #: 20138.1000



WATER FILTER,  
EQHP-10

Product #: 39000.0004



WATER FILTER, EQHP-  
TEA

Product #: 39000.0007



FUNNEL ASSY, SMART  
COFFEE BLK-CLEARED

Product #: 53463.0021

FUNNEL ASSY, TEA  
NATURAL QUICK BREW

Product #: 53463.0023

FUNNEL ASSY, SMART  
COFFEE BLK-CLEARED

Product #: 53463.0038

FUNNEL ASSY, TEA  
NATURAL QUICK BREW

Product #: 53463.0039



STAND ASSY KIT, TF  
SERVER

Product #: 54473.1000



SYSTEM, WQ-55(2)5

Product #: 56000.0004



SYSTEM, WQ-SFTN4000  
(1.5)10 TEA

Product #: 56000.0021



SYSTEM, WEQ-10(1.5)5L

Product #: 56000.0024



SYSTEM, WEQ-10(1.5)5

Product #: 56000.0027



SYSTEM, WEQ-  
SFTN3500(1)10 TEA

Product #: 56000.0030



CARTRIDGE, WQ-55(2)5

Product #: 56000.0104



CARTRIDGE, WEQ-10  
(1.5)5L

Product #: 56000.0121



CARTRIDGE, WEQ-10  
(1.5)5

Product #: 56000.0122



CARTRIDGE, WEQ-  
SFTN3500(1)10 TEA

Product #: 56000.0129



CARTRIDGE, WQ-  
SFTN4000(1.5)10 TEA

Product #: 56000.0133



BUNN® reserves the right to change specifications and product design without notice. Such revisions do not entitle the buyer to corresponding changes, improvements, additions or replacements for previously purchased equipment. For most current specifications and other info visit [bunn.com](http://bunn.com).

Last Updated:  
09/14/2022

# Serving & Holding Options: ITCB-DV HV (High Volume)(52300.0100)



TD4, SIGHT GAUGE  
SWT/UNSWT HDL

Product #:03250.0003



TD4T, SIGHT GAUGE  
NUDGER HDL

Product #:03250.0004



TD4T, BREW THRU LID  
NUDGER HDL

Product #:03250.0005



TD4, BREW THRU LID  
SWT/UNSWT HDL

Product #:03250.0006



TD4T, BREW THRU LID  
NO DECAL NUDGER  
HDL

Product #:03250.0018



AIRPOT, 2.5L GL PB  
SINGLE PK

Product #:13041.0001



AIRPOT, 2.5L SST LA  
SINGLE PK

Product #:32125.0000



AIRPOT, 3.0L SST LA  
SINGLE PK

Product #:32130.0000



TDS-3, 3 GAL

Product #:33000.0000



TDS-3.5, 3.5 GAL

Product #:33000.0023



TDO-4, RESERVOIR

Product #:34100.0000



TDO-5, RESERVOIR

Product #:34100.0001



TDO-4, RESERVOIR  
BREW THRU

Product #:34100.0002



TDO-5, RESERVOIR,  
BREW THRU

Product #:34100.0003



THERMAL CARAFE, BLK  
1.83 L 1PK

Product #:36029.0001



THERMAL CARAFE, ORN  
1.9L 1PK

Product #:36252.0001



TDO-N-3.5, RSVR

Product #:39600.0001



TDO-N-3.5, RSVR W/  
LIFT HANDLE

Product #:39600.0031



TDO-N-3.5, RSVR W/  
PINCH TUBE

Product #:39600.0047



TF SERVER, 1G DSG  
GEN3 NOBASE

Product #:42700.0250



BUNN® reserves the right to change specifications and product design without notice. Such revisions do not entitle the buyer to corresponding changes, improvements, additions or replacements for previously purchased equipment. For most current specifications and other info visit [bunn.com](http://bunn.com).

Last Updated:  
09/14/2022

## Serving & Holding Options:ITCB-DV HV (High Volume)(52300.0100)



TF SERVER, 1G MECH  
GEN3 NOBASE

Product #:44000.0250



BUNN® reserves the right to change specifications and product design without notice. Such revisions do not entitle the buyer to corresponding changes, improvements, additions or replacements for previously purchased equipment. For most current specifications and other info visit [bunn.com](http://bunn.com).

Last Updated:  
09/14/2022