

**Product Specifications**

**Refrigerated Self-Service Case 24"D**

Lengths include end panels

- B32-QS 34-1/2"L x 24"D x 82-3/8"H
- B42-QS 45-1/2"L x 24"D x 82-3/8"H
- B62-QS 66-3/8"L x 24"D x 82-3/8"H
- B82-QS 88-3/8"L x 24"D x 82-3/8"H



MODEL SHOWN: B42-QS

**STANDARD FEATURES**

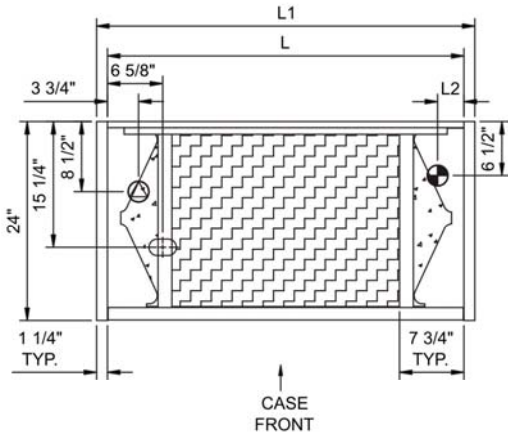
- Breeze™ w/EnergyWise s/c refrigeration
- Compressor air lower front intake and upper front discharge.  
Front panel cannot be blocked
- Condensate pan (self-contained refig. only)
- Integrated average product temperature of 40°F or less
- One year parts & labor; 5 year compressor warranty
- Removable deck pans provide complete access to evaporator coil & refrigeration connections
- Shelving removable and adjustable on 1" centers
- Solid back panel, black
- T-8 top light

Features	Standard	Options
EXTERIOR COLOR	<input type="checkbox"/> Laminated (non-premium) Confirm pattern/grain direction	<input type="checkbox"/> Laminated (premium) Confirm pattern/grain direction
INTERIOR COLOR	<input type="checkbox"/> Black	
LWR LOUVERED FRNT PANEL	<input type="checkbox"/> Painted - Black	
BASE	<input type="checkbox"/> Casters (n/a with remote)	
END PANELS	<input type="checkbox"/> Full end panel w/mirror interior (metal edge matches interior color)	
HEADER STYLE	<input type="checkbox"/> Flat	
UPPER FRONT PANEL	<input type="checkbox"/> Flat front panel	
SHELVING	<input type="checkbox"/> Metal shelves, non-lighted	<input type="checkbox"/> Metal shelves, lighted (T-8)
REFRIGERATION	<input type="checkbox"/> Breeze™ w/EnergyWise s/c refrigeration	
MISCELLANEOUS		<input type="checkbox"/> Second year parts & labor warranty (excludes compressor)

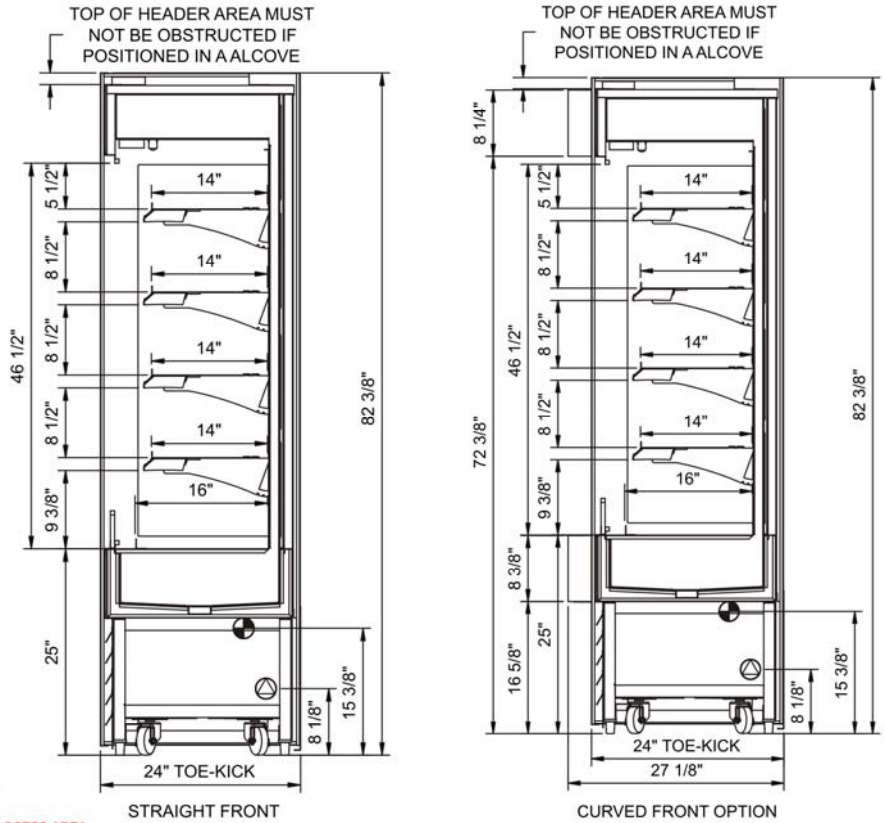
## Product Specifications

<b>Intended Environment:</b> Type I - Designed to operate in ambient conditions of 75°F with 55% relative humidity unless noted otherwise in system information below.	
<b>Zone</b>	<b>Intended Product To Be Displayed</b>
All	Packaged refrigerated products
<b>Integrated Prod Temp ° F</b>	
40	

**PLAN VIEW**



**SIDE VIEW**



**NOTE: ALL DIMENSIONS APPROXIMATE**

- ELECTRICAL JUNCTION BOX (SUPPLIED WITH 6" LEADS OR POWER CORD).
- LOCATION OF DRAIN TUBE FOR REMOTE REF. ONLY (SUPPLIED WITH 3/4" OR 1 1/2" PVC TUBE).
- REFRIGERATION LINE CONNECTION.
- REMOTE FLOOR SINK & UTILITIES ACCESS AREA.
- SELF-CONTAINED CASE SERVICE ACCESS AREA.
- DRY CASE SERVICE ACCESS AREA.

**Model Technical Specifications**

Model	L"	L1"	L2"	System Circuit Volts	Phs	Freq	Amps ***	Watts	Wires	NEMA Plug	SST	BTUH	Ship Wt		
B32-QS	N/A	34.50	3.13	Self-Contained	Circuit #1	110-120	1	60	16.00	1,730	2+G	5-20P or L5-20P	N/A	N/A	900
B42-QS	N/A	45.50	3.13	Self-Contained	Circuit #1	110-120	1	60	16.00	1,635	2+G	5-20P or L5-20P	N/A	N/A	1,000
B62-QS	N/A	66.38	3.13	Self-Contained	Circuit #1	208-240	1	60	12.00	2,425	2+G	6-20P	N/A	N/A	1,150
B82-QS	N/A	88.38	3.13	Self-Contained	Circuit #1	120/230V	1	60	15.97	3,392	3+G	14-20P or L14-20P	N/A	N/A	1,400

\*\*\* Does not include electric defrost on freezer models.

**Important Notes:**

- 1) ELECTRICAL NOTE: If GFCI is required, a GFCI breaker MUST be used in lieu of a GFCI receptacle
- 2) Performance issues (product temperatures, water on floor, etc.) caused by adverse conditions are not covered by warranty.
- 3) Keep unit at least 15' from exterior doors, overhead HVAC vents, or any air curtain disruption.
- 4) End panels must be tightly joined or kept at least 6" away from any structure to prevent condensation.
- 5) Do not expose unit to direct sunlight or any heat source (ovens, fryers, etc.).
- 7) Tile floors, low ceilings, or small rooms will increase noise level.

**Regulatory Approvals:**

All Models	Accordance with AHRI Std 1200 ETL Listed to UL 471 ETL Listed to CAN/CSA 22.2 No. 120 UL Sanitation to NSF Std 7
------------	---



In Accordance with  
**AHRI Std 1200**

**DOE 2012**  
Energy Efficiency  
Compliant