

APPLICATION:

PRODUCT NAME:
JET SPRAY VALVE 2.45 GPM

JOB NAME:

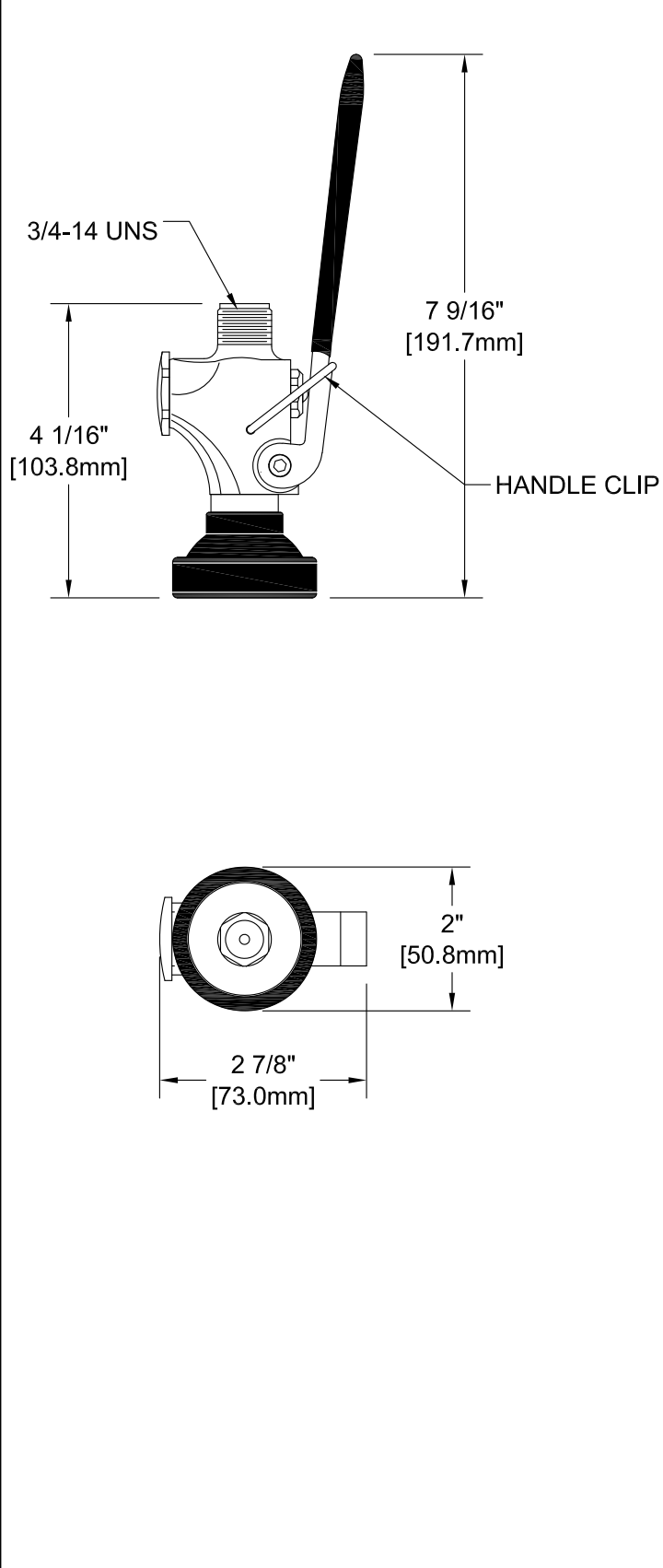
MODEL:

QUANTITY:

ITEM NO.:

10863 JET SPRAY VALVE 2.45 GPM

OPTIONS OR MODIFICATIONS:
 OTHER _____



FEATURES

- SPRAY VALVE**
- * SPRAY NOZZLE THREADED INTO BODY
 - * BRONZE HANDLE - NOT PLASTIC - MEANS FULL "ON"
 - * BLACK DISH GUARD BUMPER
 - * BUILT-IN SPRAY HANDLE CLIP
 - * HIGH VELOCITY JET SPRAY PATTERN
 - * FITS ALL BRANDS

- SYSTEM LIMITS**
- * TEMP: 40°F MIN. TO 160°F MAX.
 - * PRESSURE: 200 PSI MAX. STATIC
 - * 2.65 GPM AT 80 PSI

SHIPPING WEIGHT
* 1.25 LBS



FISHER MANUFACTURING COMPANY
TOLL FREE: 800-421-6162 - FAX: 800-832-8238
information@fisher-mfg.com - www.fisher-mfg.com