

Model : TGM-22RV(B)

ELECTRICAL DATA	
Voltage	115/60/1
Plug Type	Ⓜ NEMA 5-15P
Full Load Amperes	7.6
Compressor HP	1/4
Cord Length ft.	6
Refrigerant	R-134A
DIMENSIONAL DATA	
# of Doors	1
Net Capacity cu. ft.	22
Ext. Length Overall in.	28 ³ / ₄ (732mm)
Ext. Depth Overall in.*	27 ⁵ / ₈ (702mm)
Ext. Height Overall in.	79 ⁷ / ₈ (2028mm)
Int. Length Overall in.	24 ¹ / ₈ (613mm)
Int. Depth Overall in.	23 ⁵ / ₈ (600mm)
Int. Height Overall in.	62 ¹ / ₈ (1580mm)
Net Weight lbs.	225
Gross Weight lbs.	243
# of Shelves	4
Shelf Size (LxD) in.	25 ¹ / ₂ x 19 ³ / ₈
Bottle Capacity	280 (full)

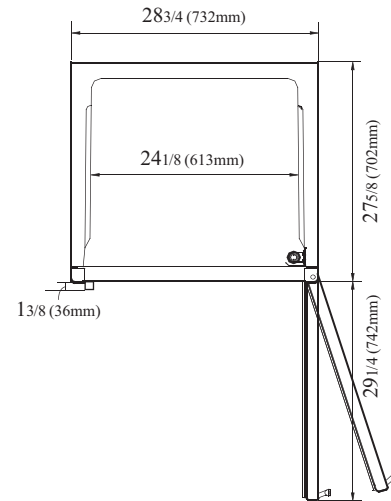
Design and specifications subject to change without notice.
Actual shipping weight may differ due to extra packing materials for product protection.
* Depth does not include 1-3/8" for door handle.

■ **WARRANTY : 2 Year Parts and Labor Warranty
Additional 3 Year Warranty on Compressor**

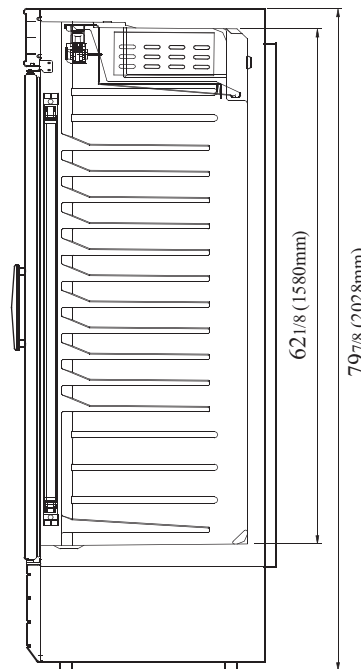
- **White color cabinet & black color frame on door**
- **White and black color cabinet available**
- **Gravity feed shelf available (optional)**
- **Price tag channel shelf available (optional)**

PLAN VIEW

(unit : inch)

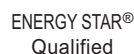


PLAN VIEW



SIDE VIEW

Ver.201501



- Turbo Air : 800-627-0032
- GK : 800-500-3519
- Warranty : 800-381-7770
- AC : 888-900-1002

