

Heavy Duty Premium Slicers



GS-12M (Manual)



GS-12A (Automatic)

≡ FEATURES / BENEFITS ≡

- **1/2 HP KNIFE MOTOR**
Powerful 1/2HP knife motor assures peak performance when slicing the toughest products.
- **1/8 HP POWERFUL CHUTE MOTOR**
Powerful torque chute drive motor provides a clean cut on tough products (GS-12A).
- **POWERFUL GEAR DRIVEN KNIFE MOTOR**
German Knife's heavy duty gear drive system provides years of maintenance free reliability without down time. No belts to slip or break.
- **HALF-PERMANENTLY LUBRICATED WORM GEARS**
Worm gears are made of Nytratron that is self-lubricated plastic made in Germany for high speed equipment.
- **ELECTRONIC CONTROL PANEL**
Variable 9 speeds chute drive from 20 to 60 strokes per minute (GS-12A).
- **SELF-DIAGNOSIS FUNCTION (GS-12A ONLY)**
- **STAINLESS STEEL RECEIVING PLATE**
- **STAINLESS STEEL FOR FOOD ZONE**
Stainless steel food contact zone provides easy to clean surfaces and won't chip or peel.
- **OIL LUBRICATION SYSTEM ON TOP AND BOTTOM SLIDE SHAFT**
Oil lubrication system on top and bottom slide shaft provide smooth sliding for the chute compared with competing brands.
- **ERGONOMIC STYLE CHUTE HANDLE**
Comfortable and stable ergonomic style grip on the chute handle provides easy glide manual operation.
- **KNIFE BLADE**
Knife made in Germany holds the cutting edge longer requires less sharpenings, resists corrosion and provides precise and more uniform cuts.
- **HEAVY STAINLESS STEEL END WEIGHT**
Heavy end weight lets you slice tiny pieces to the end and eliminates waste.
- **OPERATOR SIDE END WEIGHT ROD**
By placing the weight rod on the operator side of the chute, the product is held tighter for slicing.
- **TOP MOUNT KNIFE SHARPENER**
- **SAFE KNIFE CLEANING**
German Knife heavy duty slicers are equipped with a permanently attached knife ring guard and interlock knife cover.
- **SLICE THICKNESS ADJUSTMENT**
Precise slice thickness adjustment let you slice from tissue thin to 1" thick.

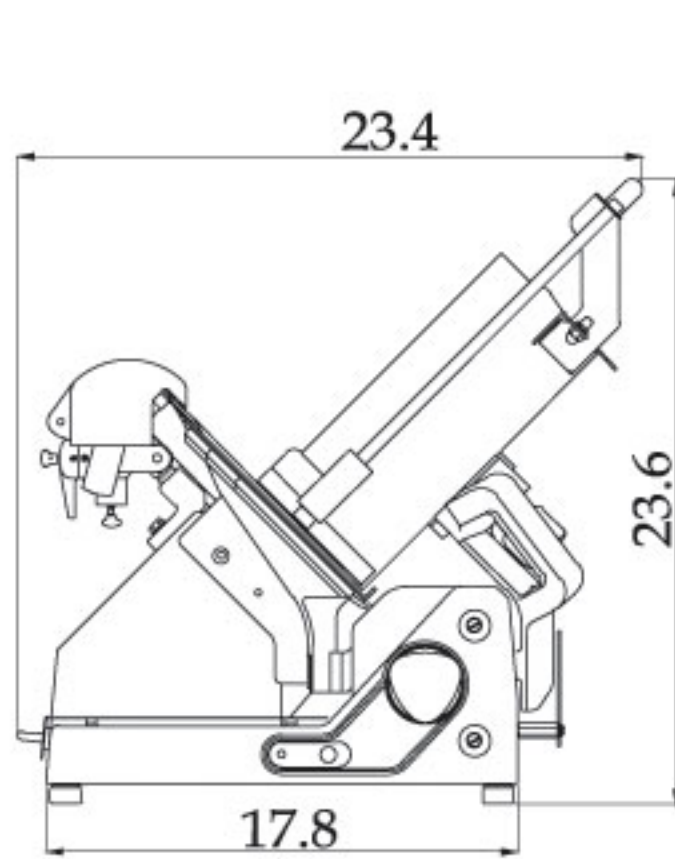
MODEL	GS-12M	GS-12A	
DIMENSION	Foot Print	17 ³ / ₄ x22 ³ / ₈	17 ³ / ₄ x22 ³ / ₈
	Overall Width	25 ⁵ / ₈	25 ⁵ / ₈
	Overall Depth	23 ³ / ₈	23 ³ / ₈
	Overall Height W/Feet	23 ⁵ / ₈	27 ³ / ₈
MOTOR	Knife Motor	1/2HP·1ph·AC115V·60Hz(GS-12A)	
		1/2HP·1ph·AC115V·60Hz(GS-12M)	
	Chute Motor	1/8HP·90W·DC·AC115V(GS-12A)	
Speed		Max 60 slices/min	
Diameter of Knife	12	12	
Slices Thickness	tissue thin~1 thick		
Net Weight	130 lbs	173 lbs	
Shipping Weight	153 lbs	203 lbs	
Box Dimensions(LxDxH)	29 ¹ / ₂ x28 ¹ / ₄ x27 ¹ / ₂	29 ¹ / ₂ x28 ¹ / ₄ x31 ¹ / ₂	

■ **VEGETABLE HOPPER AVAILABLE**

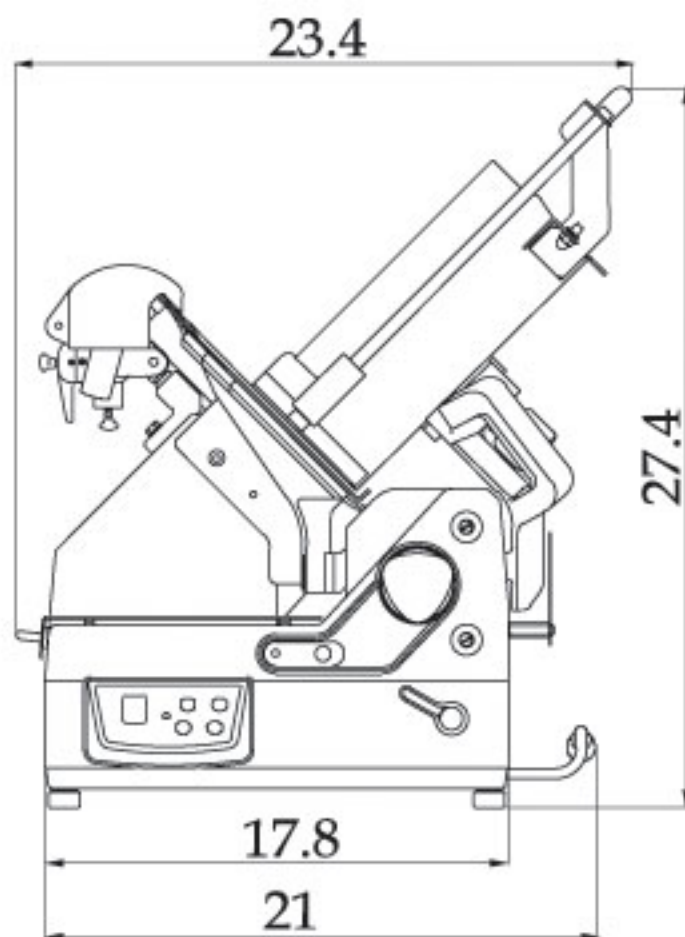
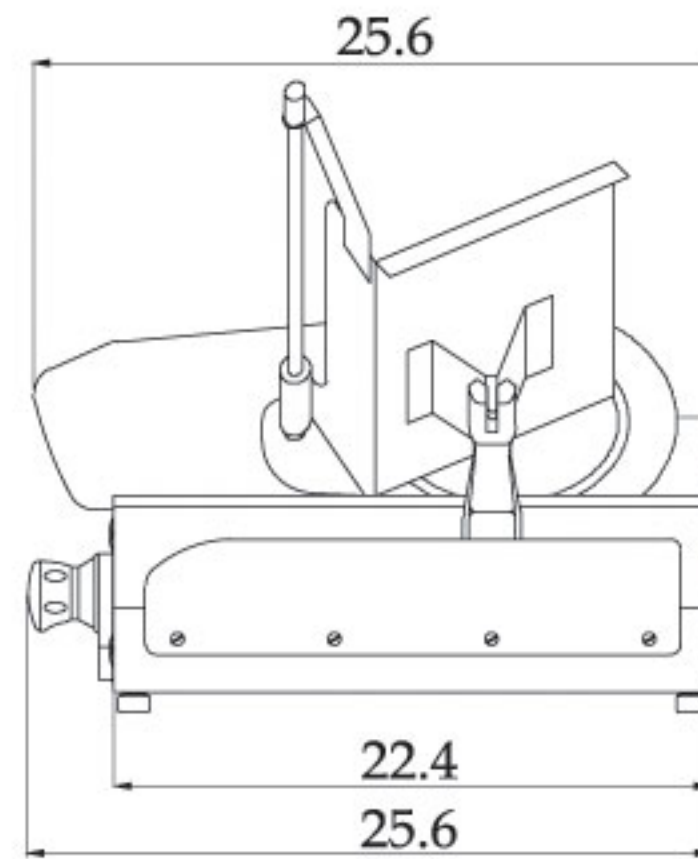
*Design and specifications subject to change without notice.

■ **WARRANTY : 2 Years Labor and Parts Warranty**

(unit : inch)



GS-12M VIEW (Manual)



GS-12A VIEW (Automatic)

