

Equipment Stands/Over Shelves

Stainless Steel Equipment
Equipment Stands
Over Shelves



EQUIPMENT STAND

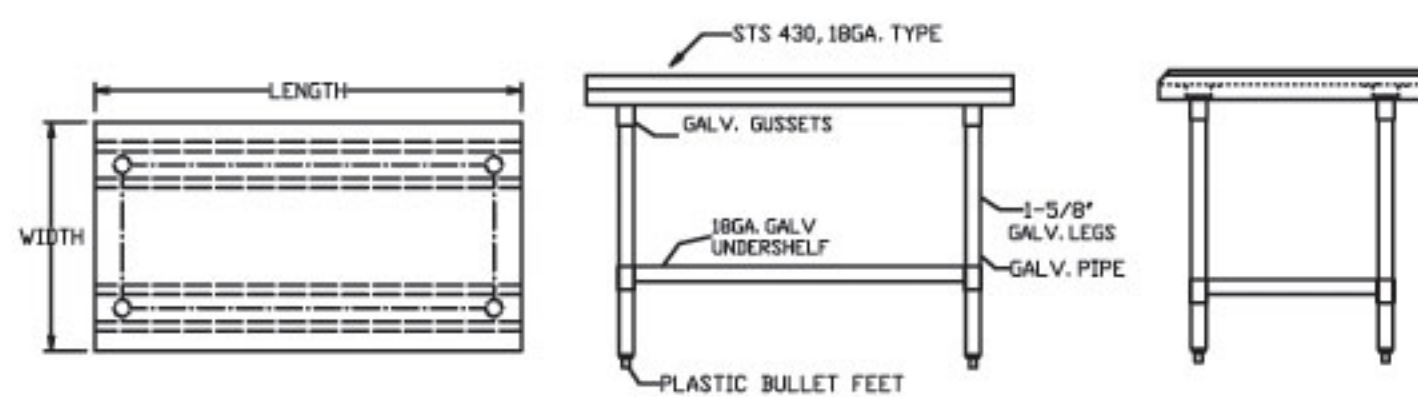
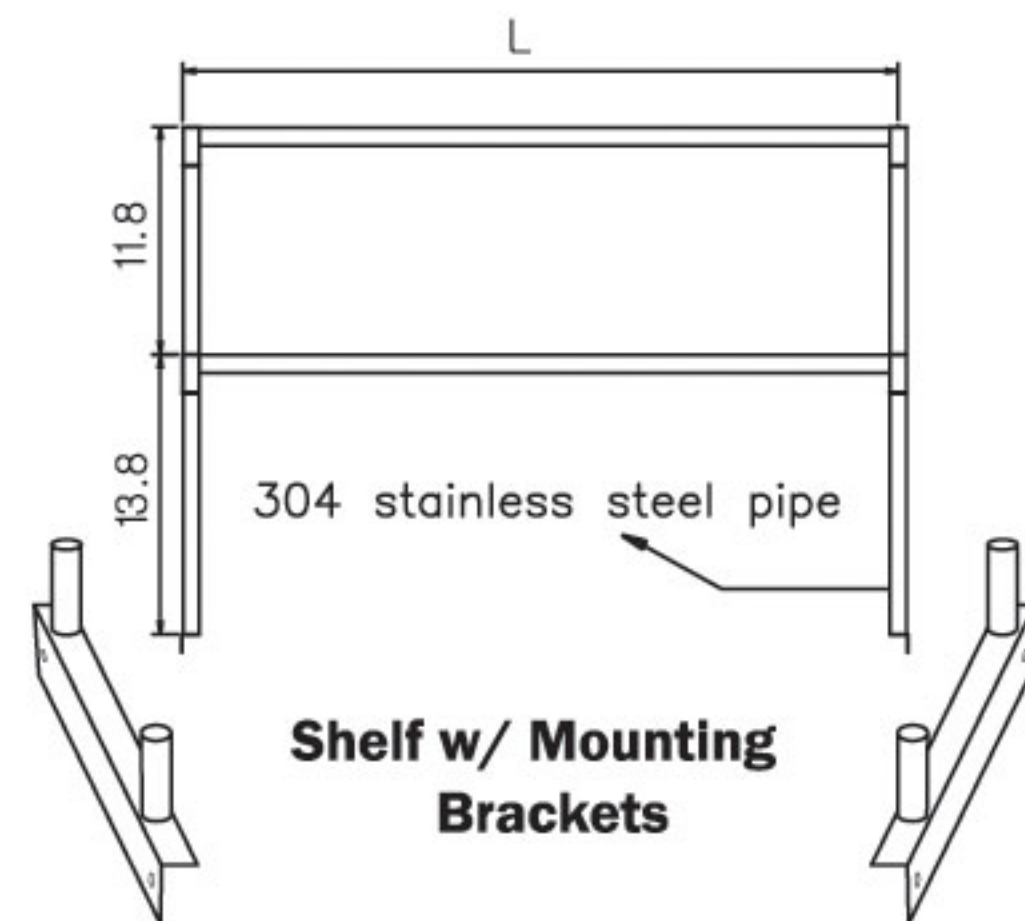


OVER SHELF

FEATURES / BENEFITS

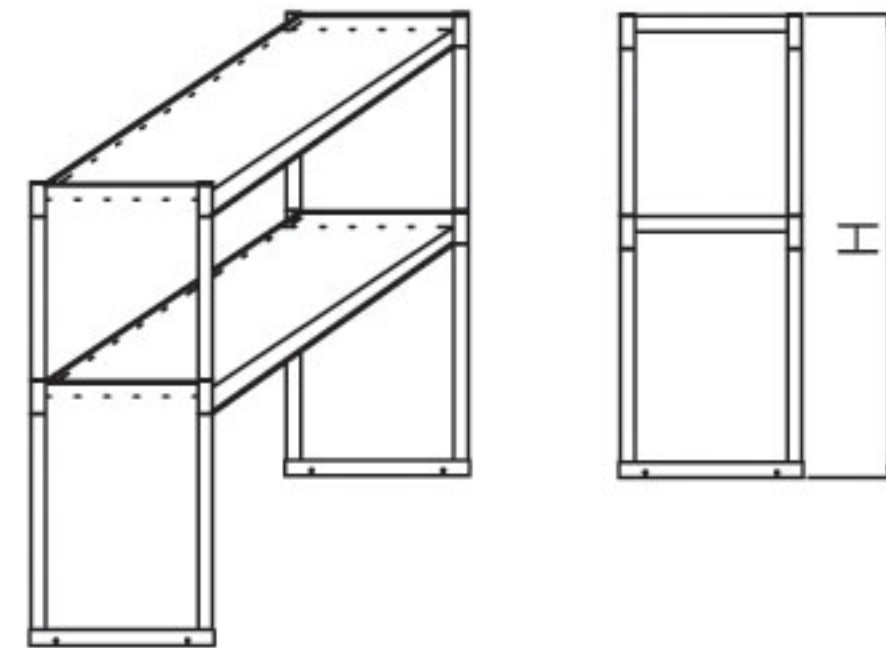
(FOR EQUIPMENT STANDS)

- EASY TO ASSEMBLE
- ALL EDGES ARE FINISHED TO PROVIDE SAFETY
- H/L FINISHED STAINLESS STEEL TOP
- TOP REINFORCED WITH WELDED "HAT" CHANNEL FRAME
- SOUND-DEADENING TAPE BETWEEN CHANNEL FRAME AND TOP
- GUSSETS ARE RECESSED INTO CHANNEL FRAME TO PREVENT LATERAL MOVEMENT
- GALVANIZED LEGS, UNDER SHELF AND GUSSETS ARE STANDARD ON ALL MODELS
- ADJUSTABLE ABS BULLET FEET



EQUIPMENT STAND VIEW

(unit : inch)



OVER SHELF VIEW

(unit : inch)

Model	Ga.	W	L	H	Net Weight
TSE-2812	18	28	12	24	25
TSE-2818	18	28	18	24	31
TSE-2824	18	28	24	24	36
TSE-2836	18	28	36	24	47
TSE-2848	18	28	48	24	58
TSE 2860	18	28	60	24	69
TSE-2872	18	28	72	24	86

(unit : inch)

Model	Ga.	W	L	H	Net Weight
TSOS-3	18	12 ³ / ₄	36	23 ¹ / ₂	25
TSOS-4	18	12 ³ / ₄	48	23 ¹ / ₂	28
TSOS-4R	18	12 ³ / ₄	48 ¹ / ₄	23 ¹ / ₂	28
TSOS-5	18	12 ³ / ₄	60	23 ¹ / ₂	31
TSOS-6	18	12 ³ / ₄	72	23 ¹ / ₂	35
TSOS-6R	18	12 ³ / ₄	72 ⁵ / ₈	23 ¹ / ₂	35

* Please confirm at the time of the purchase. * Information and specifications are subject to change without notice.
* All net weights are approximated. *Crafting fee will be added for shipping via common carriers.