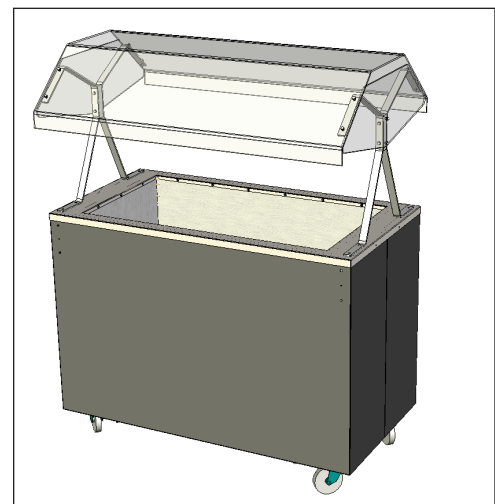
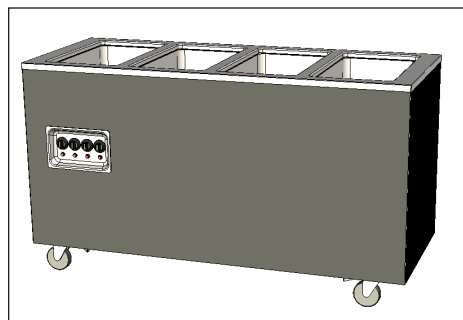
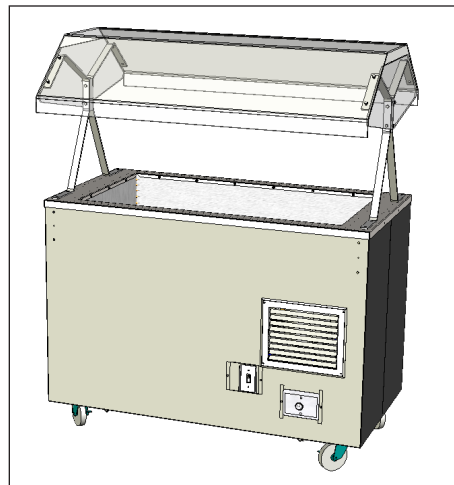


Operator's Manual

DELUXE AFFORDABLE PORTABLE BUFFET EQUIPMENT STANDARD AFFORDABLE PORTABLE BUFFET EQUIPMENT

- Hot Food Stations (Standard or Deluxe)
- Refrigerated Cold Stations
- Non Refrigerated Cold Stations
- Utility Stations
- Cashier Station



Thank you for purchasing this Vollrath Affordable Portable Buffet Equipment. Before operating the unit, read and familiarize yourself with the following operating and safety instructions. SAVE THESE INSTRUCTIONS FOR FUTURE REFERENCE. Save the original box and packaging. Use this packaging to ship the unit if repairs are needed.

SAFETY PRECAUTIONS

To ensure safe operation, read the following statements and understand their meaning. This manual contains safety precautions which are explained below. Please read carefully.

WARNING

Warning is used to indicate the presence of a hazard that *can* cause *severe* personal injury, death, or substantial property damage if the warning is ignored.

CAUTION

Caution is used to indicate the presence of a hazard that *will* or *can* cause *minor* personal injury or property damage if the caution is ignored.

NOTE

Note is used to notify people of installation, operation, or maintenance information that is important but not hazard-related.

For Your Safety!

These precautions should be followed at all times. Failure to follow these precautions could result in injury to yourself and others.

To reduce risk of injury or damage to the unit:

- Plug only into grounded electrical outlets matching the nameplate rated voltage.
- Unit should only be used in a flat, level position.
- Unplug unit and let it cool before cleaning or moving.
- Do not spray controls or outside of unit with liquids or cleaning agents.
- Unplug when not in use.
- Keep unit and power cord away from open flames, electric burners or excessive heat.
- Do not operate unattended.
- Closely supervise units operating in public areas and/or around children.
- Do not use food pans deeper than 4" (10 cm).
- Do not operate if unit has been damaged or is malfunctioning in any way.
- Do not place any objects inside the air intake or exhaust panels.
- Do not place weight on controls.
- Do not operate hot well without water.

FUNCTION AND PURPOSE

This unit is intended and designed to keep food at proper serving temperatures. Hot food stations are not intended or designed to cook raw food or to reheat prepared food. Cold food stations are not intended or designed to cool or chill food. Food must be prepared and placed in food stations at proper serving temperatures.

UNPACKING THE EQUIPMENT AND INITIAL SETUP

Carefully remove crating or packaging materials from the unit. Dispose of all packaging, materials in an environmentally responsible manner.

ELECTRICAL POWER CORD (SOME MODELS)

Free the power cord from its secure shipping location. It is usually coiled inside the cabinet.

NOTE:

When moving or transporting this unit use caution to not damage the electrical power cord.

LIGHTING INFORMATION (SOME MODELS)

If lighting is used, it is recommended that plastic coated type lamps or equivalent are used to reduce the possibility of breakage.

BREATH GUARD INSTALLATION (SOME MODELS)

Some units are shipped with a breath guard not installed. To install the breath guard follow these steps:

1. Install the breath guard uprights (A) to the studs (B) securing with cap nuts (C) as shown. See Figure 1. Repeat for all four uprights.

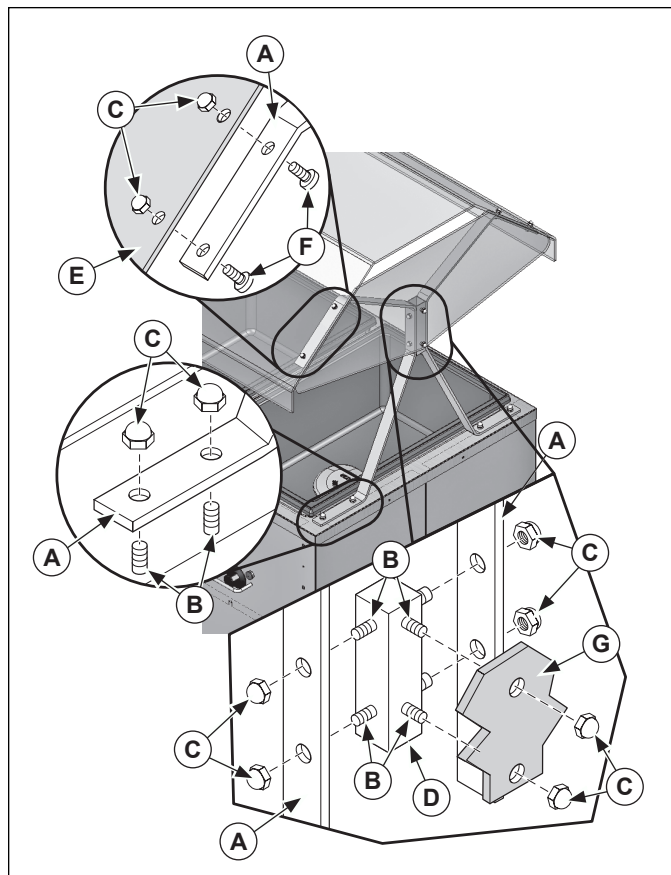


Figure 1. Breath Guard Installation

2. Install the breath guard support tube (D) between the uprights (A) securing with cap nuts (C) as shown. Repeat on the other side.
3. Install the top breath protector (E) securing with screws (F) and cap nuts (C) as shown. Repeat for all four mounting locations.
4. Install the side breath protector (G) to the support tube (D) securing with cap nuts (C) as shown. Repeat on the other side.



UNIT INSTALLATION

This unit is to be used on a flat, level surface. If this unit has controls and drains they need to be accessible at all times of operation. If the unit has a vent the vent needs to face an open area so that air can circulate.

NOTE:

Do not move the unit by pushing or pulling on the breath guard.

There must be a minimum of 24" (61 cm) of space between one side of solid surfaces and on two sides for heating units.

There must be a minimum of 24" (61 cm) of space between the vents and any solid surfaces for units with vents.

Sufficient airflow must be allowed around the unit. Blocking the airflow could cause the unit to overheat.

OPERATION

	WARNING
	<p>Burn Hazard. Do not touch heating surfaces, liquid, or food while unit is heating or operating.</p>
<p>Hot food, steam and liquids can burn skin. Allow the hot liquid, spillage pans and trays to cool before handling. Use gloves, mitts or pot holders if it is necessary to handle hot pans.</p>	

	WARNING
	<p>Electrical Shock Hazard. Keep water and other liquids from entering the inside of the unit. Liquid inside the unit could cause an electrical shock. Do not damaged power cord.</p>
<p>Do not over fill wells, pans or trays. Liquid could contact the electrical components and cause a short circuit or an electrical shock. Unplug unit before performing service, draining or removing spillage pans and trays. Do not spray water or cleaning products. Do not use a power cord that has been modified or damaged.</p>	

DELUXE HOT STATION CONTROLS AND OPERATION

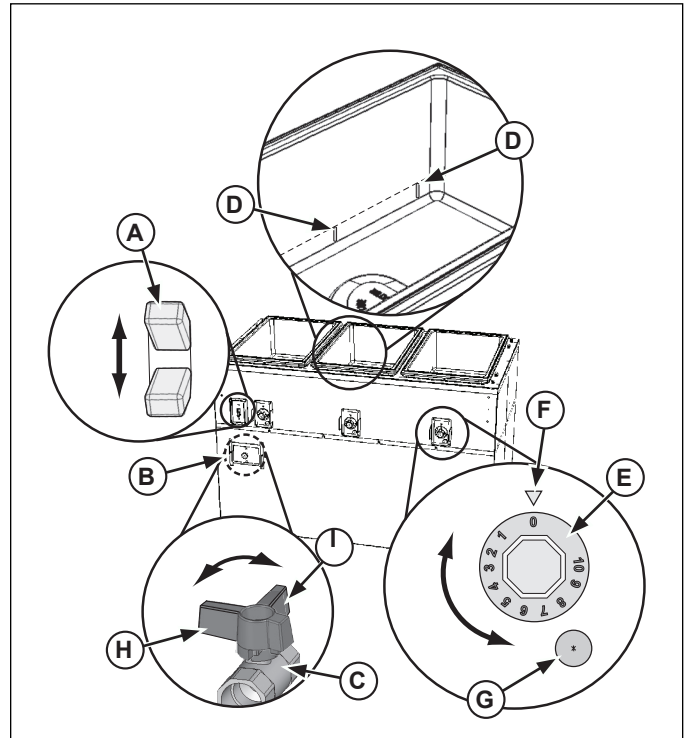


Figure 2. Deluxe Hot Station Controls

- (A) ON/OFF switch.** Set switch to the up position for "ON". Set switch to the down position for "OFF". The switch will illuminate when in the "ON" position.
- (B) ACCESS DOOR** for drain valve. Open or remove to access the drain valve.
- (C) DRAIN VALVE.** Used to empty water from the well(s).
- (D) WATER LEVEL MARKS.** Used to indicate the correct water level.
- (E) TEMPERATURE CONTROL dial.** Used to set or adjust the temperature of the well. The larger the number the higher the temperature, the smaller the number the lower the temperature. The "0" position is off.
- (F) DIAL REFERENCE indicator.** Used to show what position the temperature control is set at.
- (G) LOW WATER light.** Illuminates when the well needs water. If the light illuminates during operation, clean fresh water must be added to the well.
- (H) DRAIN VALVE CLOSED position.** When the valve is in this position the drain is closed.
- (I) DRAIN VALVE OPEN position.** When the valve is in this position the drain valve is open.

ENGLISH

1. Open the valve access door (B) and check that the drain valve (C) is in the closed position (H). See Figure 2.
2. Fill the well to the correct level marks (D) with clean fresh water. Correct level is about 1" (2.5 CM) of water. Do not over fill.
3. Plug electrical power cord into a grounded outlet matching the nameplate rated voltage.
4. Preheat the water in the wells by covering wells with empty food containers or covers. Turn the power switch (A) to the "ON" position and set the heat control(s) (E) to the maximum setting. Preheat for 45 minutes. The water will be boiling.
5. Remove empty food containers or covers. Place containers rated for hot food that contain hot food into the preheated wells. Do not use food pans deeper than 4" (10 cm).
6. Place covers on food containers. Leave covers on food containers unless serving food.
7. Set the heat control(s) (E) to maintain proper hot holding temperature for food safety. Regularly check food temperature.

NOTE:

Monitor food temperature closely for food safety. The United States Public Health Service recommends that hot food be held at a minimum of 140 °F (60 °C) to help prevent bacteria growth. Maintain correct water level and temperature setting. Periodically remove food container and check the water level. Add water if needed.

8. When finished using the unit. Turn the temperature control(s) (E) to "0" setting, turn the power switch (A) to the "OFF" position and unplug unit. When removing hot food containers from unit use gloves, mitts or pot holders to protect hands.
9. Allow the unit and water to cool completely.
10. Open access the access door (B).
11. Place a suitable container directly under the drain valve (C). Turn the drain valve (C) to the open position (I) monitoring the flow of liquid going into the container. Use caution to avoid spills that may create a slippery condition. Turn drain valve (C) to the closed position (H) off before the container is full. Dispose of the drained water. This procedure may need to be repeated.
12. Turn drain valve (C) to the closed position (H) and close the access door (B).

DELUXE REFRIGERATED CONTROLS AND OPERATION

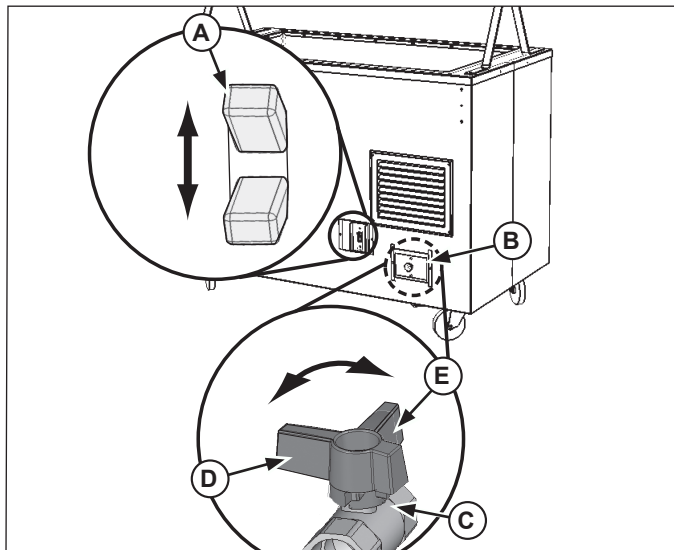


Figure 3. Deluxe Cold Pan Controls

- (A) **ON/OFF** switch. Set switch to the up position for "ON". Set switch to the down position for "OFF". The switch will illuminate when in the "ON" position.
- (B) **ACCESS DOOR** for drain valve. Open or remove to access the drain valve.
- (C) **DRAIN VALVE**. Used to empty water from the well(s).
- (D) **DRAIN VALVE CLOSED** position. When the valve is in this position the drain is closed.
- (E) **DRAIN VALVE OPEN** position. When the valve is in this position the drain valve is open.

1. Open the valve access door (A) and check that the drain valve is in the closed position (D). See Figure 2.
2. Plug electrical power cord into a grounded outlet matching the nameplate rated voltage.
3. Turn the power switch (A) to the "ON" position. This unit does not have an adjustable temperature setting. Allow the unit to run for approximately 30 minutes. For the best performance when using ice with this unit, allow unit to run for approximately 2 hours before adding ice. This will help the ice remain solid.
4. Place containers of properly chilled food into the pre-chilled unit.
5. Regularly check the food temperature.

NOTE:

Monitor food temperature closely for food safety. The United States Public Health Service recommends that hot food be held at a maximum of 41 °F (5 °C) to help prevent bacteria growth.

6. When finished using the unit turn the power switch to the off position.
7. Open access the access door (B).
8. If unit requires that water be drained place a suitable container directly under the drain valve (C). Turn the drain valve (C) to the open position (E) monitoring the flow of liquid going into the container. Use caution to avoid spills that may create a slippery condition. Turn drain valve (C) to the closed position (D) off before the container is full. Dispose of the drained water. This procedure may need to be repeated.
9. Turn drain valve (C) to the closed position (D) and close the access door (B).



STANDARD HOT STATION CONTROLS AND OPERATION

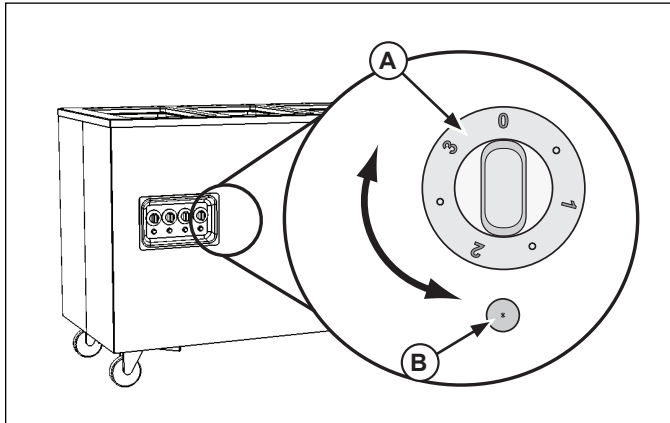


Figure 4. Standard Hot Well Controls

- (A) TEMPERATURE CONTROL** dial. Used to set or adjust the temperature of the well. The higher the number the higher the temperature, the lower the number the lower the temperature. The “0” position is off.
- (B) POWER** light. Illuminates when the well is in the heating mode.
1. Place spillage pans in the well opening.
 2. Fill each spillage pan with 2 quarts (approximately) of clean fresh water. Do not over fill.
 3. Plug electrical power cord into a grounded outlet matching the nameplate rated voltage.
 4. Preheat the water in the wells by covering wells with empty food containers or covers. Turn the temperature control (A) to the maximum heat setting. See Figure 4. Preheat for 60 minutes.
 5. Place containers rated for hot food that contain hot food into the preheated unit. Do not use food pans deeper than 4” (10 cm).
 6. Place covers on food containers. Leave covers on food containers unless serving food.
 7. Set the heat control to maintain proper hot holding temperature for food safety. Regularly check the food temperature. Adjust temperature controls as necessary.

NOTE:

Monitor food temperature closely for food safety. The United States Public Health Service recommends that hot food be held at a minimum of 140 °F (60 °C) to help prevent bacteria growth. Maintain correct water level and temperature setting. Periodically remove food container and check the water level. Add water in needed.

8. When finished using the unit turn the heat control (A) to the “0” setting and unplug unit.
9. When removing hot food containers from unit use gloves, mitts or pot holders to protect hands.
10. Allow the unit and water to cool completely.
11. Remove the spillage pans and dispose of the water.

STANDARD NON-REFRIGERATED CONTROLS AND OPERATION

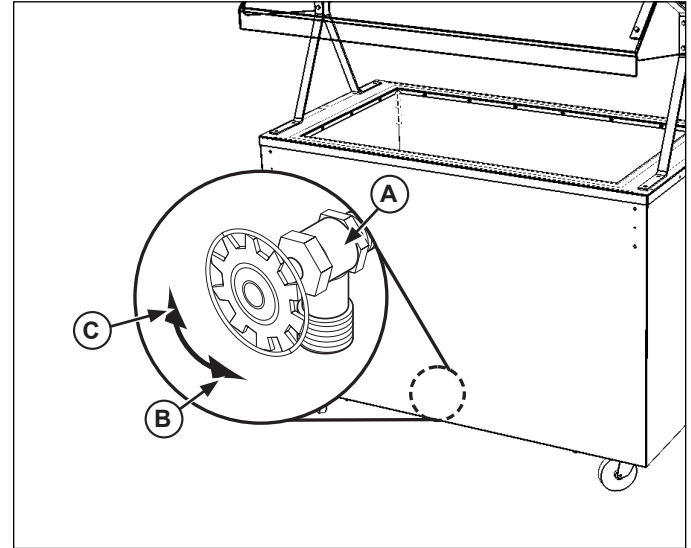


Figure 5. Standard Cold Controls

- (A) DRAIN VALVE.** Used to empty water from the well(s).
- (B) DRAIN VALVE OPEN** position. When the valve is in this position the drain is Open.
- (C) DRAIN VALVE CLOSED** position. When the valve is in this position the drain valve is closed.
1. Place ice into the non-refrigerated well. For best performance allow unit to cool for approximately 1 hour before using.
 2. Place containers of properly chilled food into the pre-chilled unit.
 3. Regularly check the food temperature.
- NOTE:**
Monitor food temperature closely for food safety. The United States Public Health Service recommends that hot food be held at a maximum of 41 °F (5 °C) to help prevent bacteria growth.
4. When finished using the unit remove food from the cold well.
 5. Place a suitable container directly under the drain valve (A) or over a floor drain. Turn the drain valve (A) to the open position (B) monitoring the flow of liquid going into the container. Use caution to avoid spills that may create a slippery condition. Turn drain valve (A) to the closed position (C) before the container is full. Dispose of the drained water. Repeat this procedure if necessary.
 6. Turn drain valve (A) to the closed position (C).

UTILITY STATIONS AND CASHIER STATIONS

Utility stations and cashier stations are intended for display of nonperishable items or equipment.

CLEANING

To maintain the appearance and increase the service life, clean your induction range daily.

	WARNING
	<p>Burn Hazard. Do not touch heating surfaces, liquid, or food while unit is heating or operating.</p>
<p>Hot food, steam and liquids can burn skin. Allow the hot liquid, spillage pans and trays to cool before handling. Use gloves, mitts or pot holders if it is necessary to handle hot pans.</p>	

	WARNING
	<p>Electrical Shock Hazard. Keep water and other liquids from entering the inside of the unit. Liquid inside the unit could cause an electrical shock.</p>
<p>Do not spray water or cleaning products. Liquid could contact the electrical components and cause a short circuit or an electrical shock.</p>	

1. Turn off and unplug the unit.
2. Begin cleaning after hot well units have completely cooled or cold well units have been drained.
3. Wipe the unit exterior with a clean damp cloth.
4. Do not use abrasive materials, scratching cleansers or scouring pad to clean the unit. These can damage the finish.
5. Thoroughly wipe off any mild soap or chemical cleaners. Residue could corrode the surface of the unit.

TROUBLESHOOTING

Problem	It might be caused by	Course of Action
Switch does not light up when in the "ON" position.	Unit is not plugged in.	Plug unit in.
Unit does not get to correct temperature or to a high temperature.	Low or incorrect voltage to unit.	Verify that voltage rating in unit matches the source voltage. If not have qualified electrical personal install proper source voltage.
	No water or incorrect water level.	Add water to correct level.

SERVICE AND REPAIR

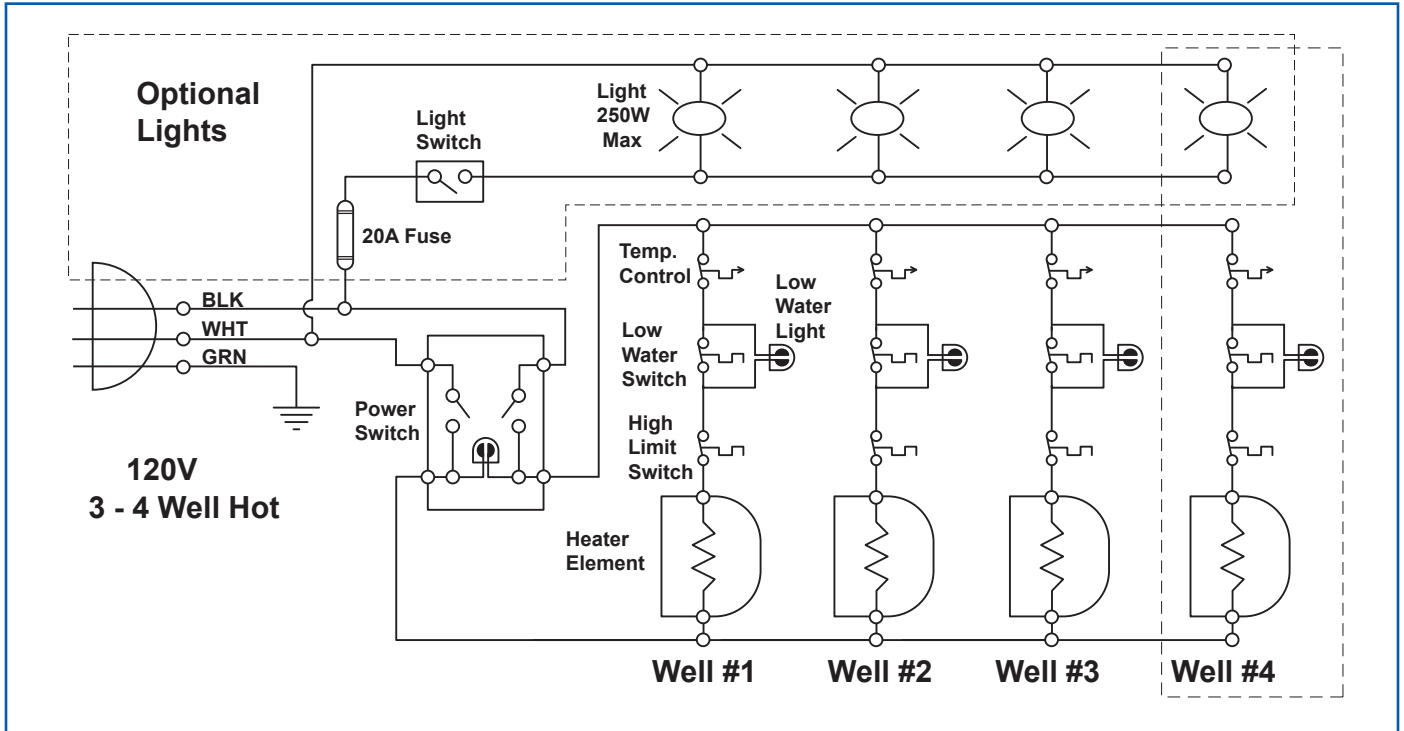
There are no user serviceable parts within this appliance. To avoid serious injury or damage, never attempt to repair the unit or replace a damaged power cord yourself. Do not send units directly to the Vollrath Company. Please contact the qualified professional repair service listed below.

VOLLRATH Repair Service • 1-800-628-0832

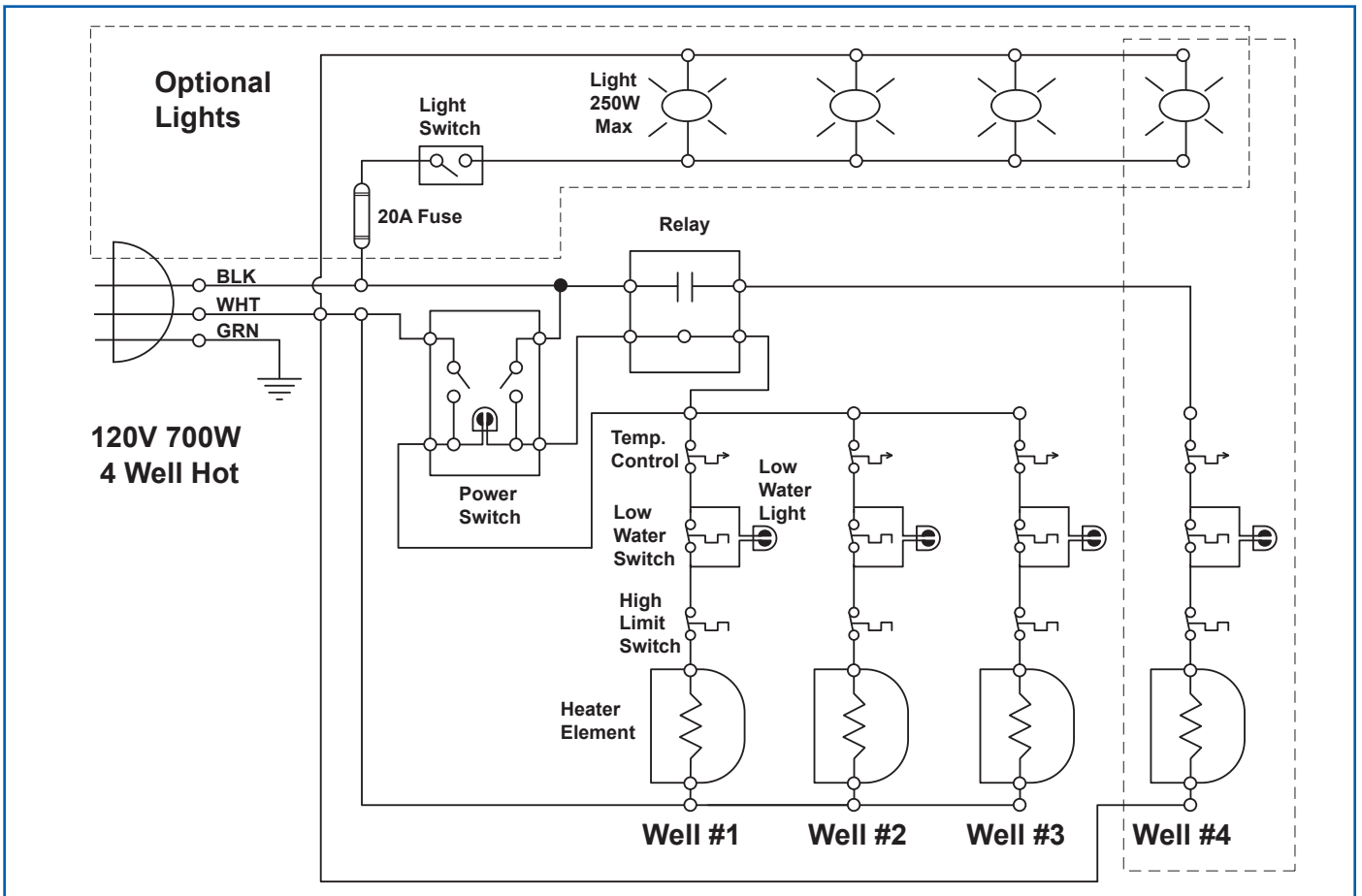
When contacting the Authorized Professional Service Center, please be ready with the model number, serial number, and proof of purchase showing the date the unit was purchased.



WIRING DRAWING ~ 120 VOLT DELUXE 3 - 4 HOT WELL

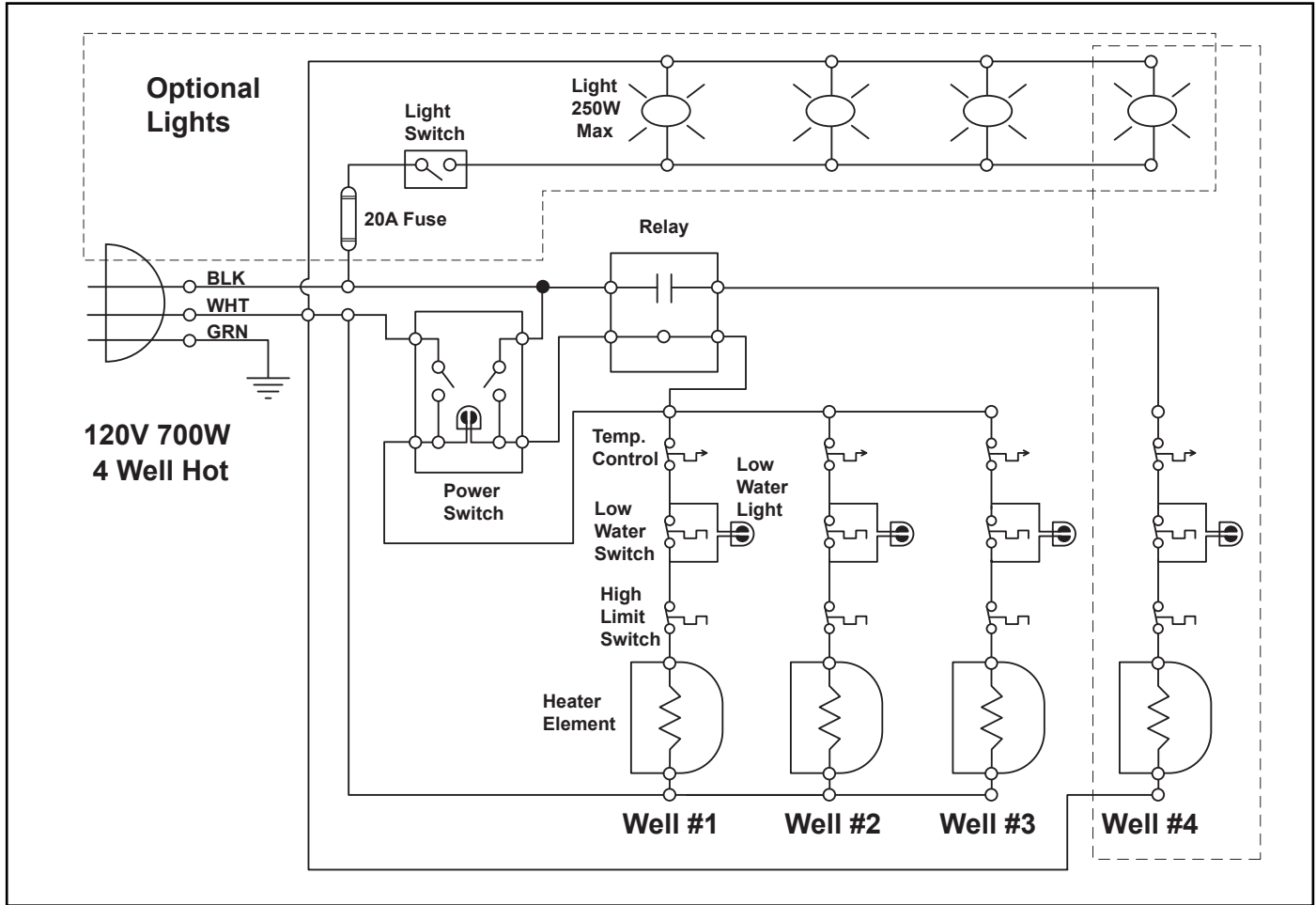


WIRING DRAWING ~ 120 VOLT DELUXE 3 - 4 HOT WELL WITH RELAY



ENGLISH

WIRING DIAGRAM ~ 120/208-240 VOLT DELUXE 3 - 4 HOT WELL



WARRANTY STATEMENT FOR THE VOLLRATH Co. L.L.C.

The Vollrath Company LLC warrants the products it manufactures and distributes against defects in materials and workmanship for a period of one year, except as specifically provided below. The warranty runs 12 months from the date of original installation. (End user receipt)

1. Refrigeration compressors – The warranty period is 5 years.
2. Replacement parts – The warranty period is 90 days.
3. Fry pans and coated cookware – The warranty period is 90 days
4. EverTite™ Riveting System – The warranty covers loose rivets only, forever.
5. Cayenne® Heat Strips – The warranty period is 1 year plus an additional 1 year period on heating element parts only.
6. Ultra and Professional Induction Ranges – The warranty period is 2 years.
7. Mirage and Commercial Induction ranges - The warranty period is 1 year.
8. ServeWell® Induction Workstations – The warranty period is one year on the workstation table and 2 years on induction hobs.
9. Slicers – The warranty period is 10 years on gears and 5 years on belts.
10. Mixers – The warranty period is 2 years.
11. Extended warranties are available at the time of sale.
12. Boxer Mixers – 1 Year exchange Warranty.
13. Vollrath – Redco products – The warranty period is 2 years.
14. Optio / Arkadia product lines – The warranty period is 90 days.
15. All non-stick products (i.e. fry pans and surfaces) are 90 days for the non stick surfaces.

All products in the Jacob's Pride® collection, including the following, have a lifetime warranty:

- NSF Certified One-Piece Dishers
- NSF Certified Spoodle® Utensils
- NSF Certified Heavy-Duty Spoons with Ergonomic Handle
- NSF Certified Heavy-Duty Basting Spoons
- Heavy duty Turners with Ergonomic handle
- One-Piece Tongs*
- Heavy-Duty One-Piece Ladles*
- Nylon Handle Whips
- One-Piece Skimmers
- Tribute®, Intrigue®, and Classic Select® Cookware*

*Jacob's Pride® warranty does not cover Kool-Touch®, non stick coatings and silicone handles.

Items sold having no warranty:

- Meat Grinder Knives
- Light Bulbs in Convection Ovens and Hot Food Merchandiser
- Oven Door Seals
- Oven Door Glass
- Hot Food Merchandisers / Display Case Glass
- Calibration and set up of gas equipment
- Slicer / Dicer blades (table top food prep) – Redco and Vollrath

THIS WARRANTY IS IN LIEU OF ANY OTHER WARRANTIES, EXPRESS OR IMPLIED, INCLUDING ANY IMPLIED WARRANTY OF MERCHANTABILITY OR FITNESS FOR A PARTICULAR PURPOSE

As The Vollrath Company LLC's only responsibility and the purchaser's only remedy, for any breach of warranty, The Vollrath Company LLC will repair or, at its discretion, replace the defective product or part without charge, except as otherwise provided below:

- For refrigeration compressors and the second year of the warranty on Cayenne® Heat Strips and mixers, The Vollrath Company LLC will provide the repaired or replacement part only; and the buyer will be responsible for all labor charges incurred in performing the repair or replacement.
- To obtain warranty service, the buyer will be responsible to return to The Vollrath Company LLC any product (other than gas equipment that is permanently installed) weighing less than 110 lbs. or located outside of a 50-mile radius of a certified technician designated by The Vollrath Company LLC to perform warranty repairs. If a Vollrath Technician cannot be contacted check the website for service contact points (Refer to the Product Catalogue for weights and sizes).
- No remedy will be available for products that have been damaged by accident, carelessness, improper installation, lack of proper setup or supervision when required, neglect, improper use, installation or operation contrary to installation and operating instructions or other causes not arising out of defects in materials or workmanship. At the buyer's request, The Vollrath Company LLC will repair and or replace such products at a reasonable cost.
- No remedy will be available for slicers where blade has not been sharpened (Refer to owner's manual for sharpening instructions).
- No remedy will be available for mixers damaged by changing gears while unit is running or overloading, in either case as determined by a Vollrath Certified Technician.
- Warranty work must be authorized in advance by The Vollrath Company LLC. See the operating and safety instructions for each product for detailed warranty claim procedures.
- No remedy will be available for product returned and found to be acceptable to the product specification.
- No remedy will be available under any warranty not registered as required below.

LIMITATION OF LIABILITY:

THE VOLLRATH COMPANY LLC SHALL HAVE NO LIABILITY FOR INCIDENTAL OR CONSEQUENTIAL DAMAGES OF ANY KIND, WHETHER BASED UPON NEGLIGENCE OR OTHER TORT, BREACH OF WARRANTY, OR ANY OTHER THEORY.



WARRANTY PROCEDURE

On all warranty calls, the following process and information is required:

- All warranty claims will start with a call to Vollrath Technical Service support line.(800-628-0832).
- A technical support professional will work to diagnose the issues, and provide the details for the service solution.
- Name and phone number of person calling
- Business name, street address, city, state and zip
- Model and serial number
- Date of purchase and proof of purchase (Receipt)
- Name of dealer where unit was purchased

NOTE: Vollrath will not accept products sent without the proper procedure being followed.

Important:

TO MAKE A CLAIM FOR ANY REMEDY UNDER THIS WARRANTY, YOU MUST REGISTER YOUR WARRANTY.

REGISTER TODAY

ONLINE: Register your warranty on-line now at www.Vollrathco.com

NO WEB ACCESS: If you do not have access to the web, kindly register by completing the warranty registration form and faxing it to The Vollrath Co. LLC office in the country of purchase.

WARRANTY REGISTRATION			
BUSINESS NAME _____			
KEY CONTACT NAME _____		EMAIL _____	
STREET ADDRESS _____			
CITY _____		STATE _____	ZIP CODE _____
COUNTRY _____		PHONE _____	FAX _____
MODEL _____		ITEM NUMBER _____	
SERIAL NUMBER - - 			
OPERATION TYPE			
<input type="checkbox"/> Limited Service Restaurant	<input type="checkbox"/> Full Service Restaurant	<input type="checkbox"/> Bars and Taverns	<input type="checkbox"/> Supermarket
<input type="checkbox"/> Convenience Store	<input type="checkbox"/> Recreation	<input type="checkbox"/> Hotel/Lodging	<input type="checkbox"/> Airlines
<input type="checkbox"/> Business/Industry	<input type="checkbox"/> Primary/Secondary School	<input type="checkbox"/> Colleges/University	<input type="checkbox"/> Hospitals
<input type="checkbox"/> Long-Term Care	<input type="checkbox"/> Senior Living	<input type="checkbox"/> Military	<input type="checkbox"/> Corrections
REASON FOR SELECTING OUR PRODUCT			
<input type="checkbox"/> Appearance	<input type="checkbox"/> Full Service Restaurant	<input type="checkbox"/> Availability	<input type="checkbox"/> Sellers Recommendation
<input type="checkbox"/> Ease of Operation	<input type="checkbox"/> Versatility of Use	<input type="checkbox"/> Price	<input type="checkbox"/> Brand
WOULD YOU LIKE TO RECEIVE OUR FULL-LINE CATALOG AND REMAIN ON OUR MAILING LIST?			<input type="checkbox"/> Yes <input type="checkbox"/> No

ENGLISH





www.vollrathco.com

The Vollrath Company, L.L.C.
1236 North 18th Street
Sheboygan, WI 53081-3201
U.S.A.

Main Tel: 800.628.0830
Fax: 800.752.5620

Technical Services: 800.628.0832
Service Fax: 920.459.5462

Canada Service: 800.695.8560

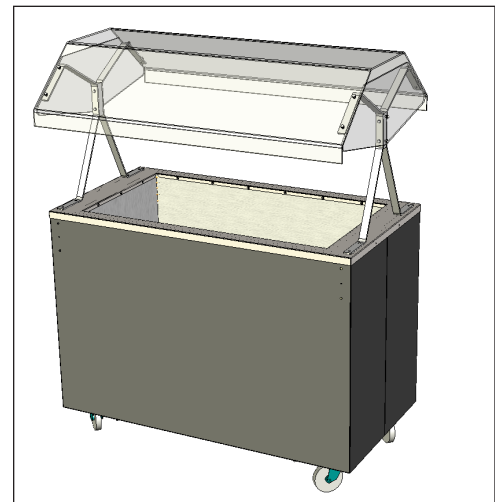
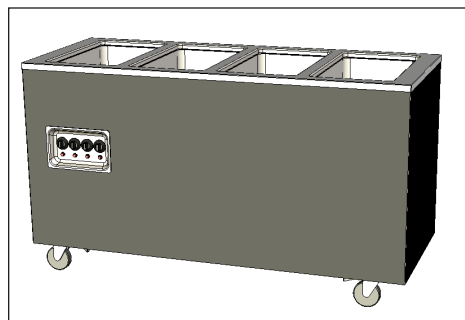
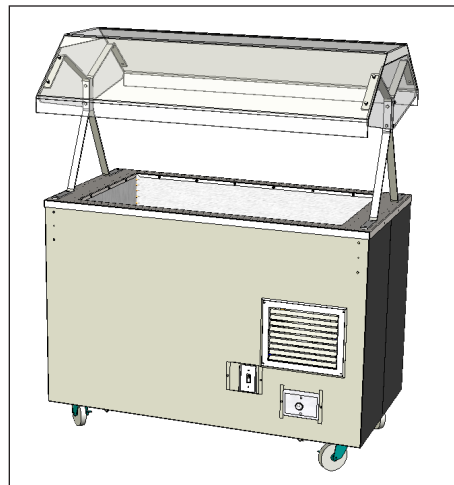
© 2010 The Vollrath Company, L.L.C.



Manual del operador

EQUIPO AFFORDABLE PORTABLE DE LUJO PARA BANQUETES EQUIPO AFFORDABLE PORTABLE ESTÁNDAR PARA BANQUETES

- Estaciones de comida caliente (estándar o de lujo)
- Estaciones frías refrigeradas
- Estaciones frías no refrigeradas
- Estaciones utilitarias
- Estación de caja registradora



Gracias por comprar este equipo Affordable Portable de Vollrath para banquetes. Antes de operar la unidad, lea y familiarícese con las siguientes instrucciones de operación y seguridad. CONSERVE ESTAS INSTRUCCIONES COMO REFERENCIA PARA EL FUTURO. Conserve la caja y embalado originales. Deberá utilizarlos para devolver la unidad en caso de que requiera reparaciones.

PRECAUCIONES DE SEGURIDAD

Para garantizar una operación segura, lea las siguientes afirmaciones y comprenda su significado. Este manual contiene precauciones de seguridad que se explican a continuación. Léalas atentamente.

ADVERTENCIA

Advertencia se usa para indicar la presencia de un peligro que *puede* provocar lesiones personales *graves*, muerte o daños materiales considerables si se ignora el aviso.

PRECAUCIÓN

Precaución se usa para indicar la presencia de un peligro que *provocará* o *puede provocar* lesiones personales o daños materiales leves si se ignora el aviso.

NOTA

Nota se utiliza para indicar información sobre instalación, funcionamiento o mantenimiento que es importante, pero que no reviste peligros.

¡Por su propia seguridad!

Debe acatar estas precauciones en todo momento, ya que si no lo hace podría lesionarse a sí mismo y a otras personas.

Para disminuir el riesgo de lesiones personales o daños en la unidad:

- Enchúfela sólo en tomacorrientes con puesta a tierra cuyo voltaje nominal corresponda al indicado en la placa identificatoria.
- Esta unidad debe utilizarse sólo en posición plana y nivelada.
- Desenchufe la unidad y deje que se enfríe antes de limpiarla o trasladarla.
- No rocíe con líquidos ni agentes de limpieza los controles ni la parte externa de la unidad.
- Desenchúfela cuando no esté en uso.
- Mantenga la unidad y el cable eléctrico lejos de llamas expuestas, quemadores eléctricos o calor excesivo.
- No deje la unidad operando sola.
- Supervise de cerca las unidades en áreas públicas y/o cerca de niños.
- No use fuentes de más de 10 cm (4") de profundidad.
- No opere la unidad si se ha dañado o si funciona defectuosamente de algún modo.
- No coloque ningún objeto dentro de los paneles de entrada o salida de aire.
- No coloque peso en los controles.
- No opere el receptáculo caliente sin agua.

FUNCIÓN Y PROPÓSITO

Esta unidad está diseñada para mantener los alimentos a temperaturas de servicio apropiadas. Las estaciones de alimentos calientes no están diseñadas ni tienen el propósito de cocer alimentos crudos ni de recalentar comida preparada. Las estaciones de alimentos fríos no están diseñadas ni tienen el propósito de enfriar ni helar la comida. La comida debe prepararse y colocarse en las estaciones de alimentos a temperaturas de servicio apropiadas.

DESEMBALADO DEL EQUIPO Y CONFIGURACIÓN INICIAL

Retire cuidadosamente de la unidad la caja o los materiales de embalado. Deseche todos los materiales de embalado de una manera ambientalmente responsable.

CABLE ELÉCTRICO (ALGUNOS MODELOS)

Libere el cable eléctrico de su ubicación segura de despacho. Generalmente viene enrollado dentro del armario.

NOTA:

Tenga cuidado de no dañar el cable eléctrico cuando mueva o transporte esta unidad.

INFORMACIÓN SOBRE ILUMINACIÓN (ALGUNOS MODELOS)

Si se usa iluminación, se recomienda usar lámparas con revestimiento plástico o similares para reducir la posibilidad de rompimiento.

INSTALACIÓN DE LA PROTECCIÓN CONTRA ALIENTO (ALGUNOS MODELOS)

Algunas unidades se despachan sin la protección contra aliento instalada. Siga estos pasos para instalarla:

1. Instale los postes de la protección (A) en los vástagos (B) afianzándolos con los tapones roscados (C) tal como se muestra. Consulte la Figura 1. Repita el procedimiento con los cuatro postes.

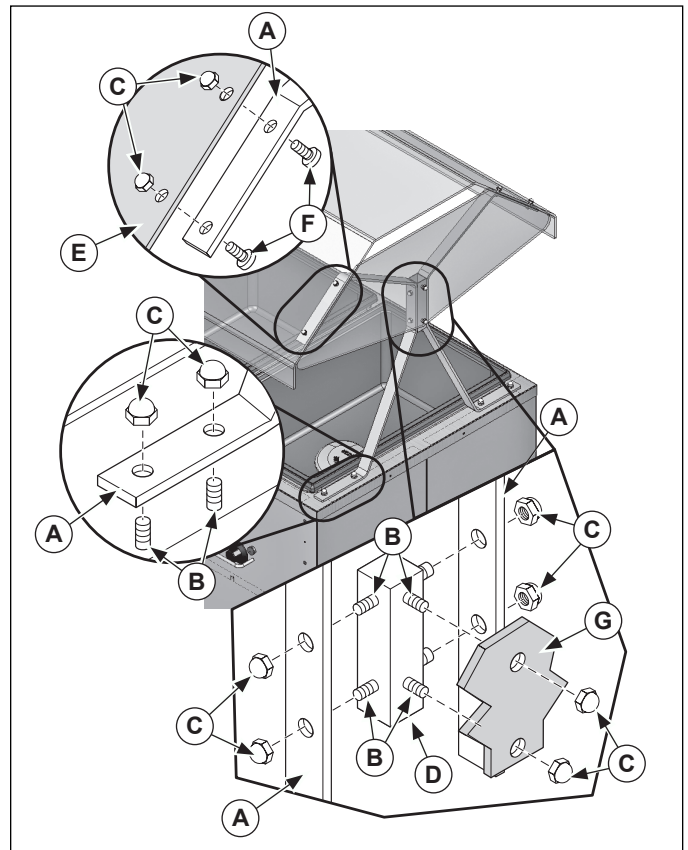


Figura 1. Instalación de la protección contra aliento

2. Instale el tubo de apoyo (D) de la protección contra aliento entre los postes (A) afianzándolo con los tapones roscados (C) tal como se muestra. Repita el procedimiento en el lado opuesto.
3. Instale la protección superior contra aliento (E) afianzándola con los tornillos (E) y los tapones roscados (C) tal como se muestra. Repita este procedimiento en las cuatro ubicaciones de montaje.

4. Instale la protección lateral contra aliento (G) en el tubo de apoyo (D) afianzándola con los tapones roscados (C) tal como se muestra. Repita el procedimiento en el lado opuesto.

INSTALACIÓN DE LA UNIDAD

Esta unidad debe utilizarse en una superficie plana y nivelada. Si tiene controles y drenajes, se debe poder acceder a ellos en todo momento de la operación. Si la unidad tiene un orificio de ventilación, éste debe estar orientado hacia un área abierta de modo que pueda circular el aire.

NOTA:

No mueva la unidad empujando o jalando la protección contra aliento.

Debe haber un espacio mínimo de 61 cm (24") entre un lado de las superficies sólidas y en los dos lados de las unidades de calentamiento.

Debe haber un espacio mínimo de 61 cm (24") entre los orificios de ventilación y toda superficie sólida de las unidades con dichos orificios.

Se debe proporcionar un flujo de aire suficiente alrededor de la unidad. Bloquear el flujo de aire podría sobrecalentarla.

OPERACIÓN

	ADVERTENCIA
	Peligro de quemaduras. No toque las superficies de calentamiento, los líquidos ni la comida calientes cuando la unidad esté calentando o funcionando.
Los alimentos, vapores y líquidos calientes pueden quemar la piel. Deje que el líquido caliente, las bandejas y los recipientes para derrame se enfríen antes de manipularlos. Use guantes, mitones o tomaollas si es necesario para manipular las fuentes calientes.	

	ADVERTENCIA
	Peligro de descarga eléctrica. Evite que ingrese agua o cualquier otro tipo de líquido al interior de la unidad, ya que ello podría causar una descarga eléctrica. No use un cable eléctrico dañado
No llene excesivamente los recipientes, fuentes ni bandejas. El líquido podría hacer contacto con los componentes electrónicos y causar un cortocircuito o descarga eléctrica. Desenchufe la unidad antes de darle servicio, drenar o retirar las bandejas y fuentes para derrame. No rocíe agua ni agentes de limpieza.	

CONTROLES Y OPERACIÓN DE LA ESTACIÓN CALIENTE DE LUJO

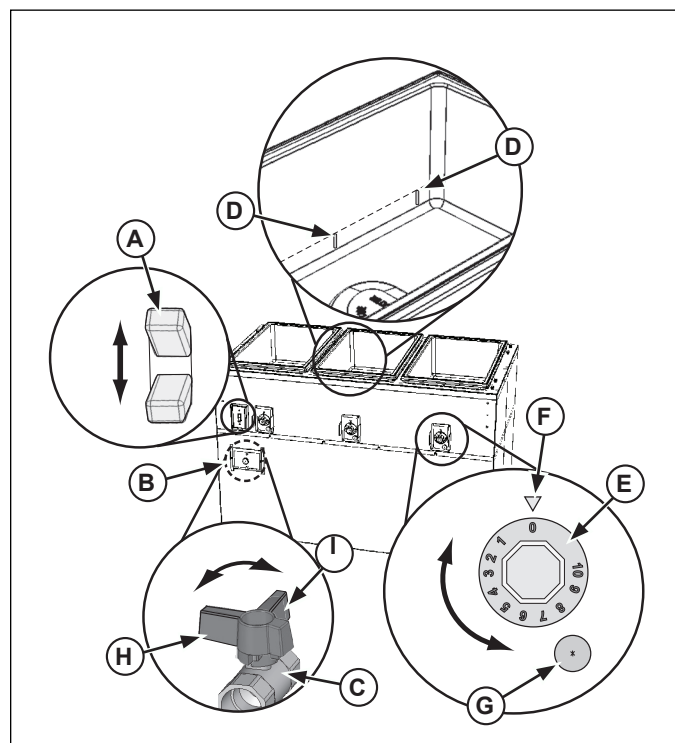


Figura 2. Controles de la estación caliente de lujo

- (A)** Interruptor de **ENCENDIDO/APAGADO**. Mueva el interruptor hacia arriba para encender la unidad. Mueva el interruptor hacia abajo para apagarla. El interruptor se iluminará cuando esté en la posición de encendido.
- (B)** **PUERTA DE ACCESO** para la válvula de drenaje. Ábrala o retírela para acceder a la válvula de drenaje.
- (C)** **VÁLVULA DE DRENAJE**. Se usa para vaciar el agua de el o los recipientes.
- (D)** **MARCAS DEL NIVEL DEL AGUA**. Se usan para indicar el nivel correcto del agua.
- (E)** Selector del **CONTROL DE TEMPERATURA**. Se usa para fijar o ajustar la temperatura del recipiente. Mientras más grande o más pequeño sea el número, más alta o más baja es la temperatura respectivamente. La posición de "0" corresponde a apagado.
- (F)** Indicador de **REFERENCIA DEL SELECTOR**. Se usa para mostrar la posición en que se fijó el control de temperatura.
- (G)** Luz de **NIVEL DE AGUA BAJO**. Se ilumina cuando el recipiente necesita agua. Si la luz se ilumina durante la operación, se debe agregar agua limpia y fresca al recipiente.
- (H)** Posición de **VÁLVULA DE DRENAJE CERRADA**. Cuando la válvula está en esta posición, el drenaje está cerrado.
- (I)** Posición de **VÁLVULA DE DRENAJE ABIERTA**. Cuando la válvula está en esta posición, el drenaje está abierto.

1. Abra la puerta de acceso (B) y verifique que la válvula de drenaje (C) esté en la posición cerrada (H). Consulte la Figura 2.
2. Llene el receptáculo hasta las marcas de nivel correcto (D) con agua limpia y fresca. El nivel correcto es de aproximadamente 2.5 cm (1") de agua. No lo llene excesivamente.
3. Enchufe el cable eléctrico en un tomacorriente con puesta a tierra cuyo voltaje nominal corresponda al indicado en la placa identificatoria.
4. Precaliente el agua en los receptáculos cubriéndolos con tapas o recipientes de alimento vacíos. Gire el interruptor de suministro (A) hasta la posición de encendido "ON" y fije el o los controles de calor (E) en su ajuste máximo. Precaliente el agua durante 45 minutos. El agua debiera hervir.
5. Retire las tapas o los recipientes de alimento vacíos. Coloque en los receptáculos precalentados los recipientes aptos para alimentos calientes que contengan comida caliente. No use fuentes de más de 10 cm (4") de profundidad.
6. Tape los recipientes de alimento. Deje las tapas en los recipientes si no va a servir comida.
7. Fije el o los controles de calor (E) para mantener la temperatura de conservación caliente y los alimentos seguros. Revise regularmente la temperatura de los alimentos.

NOTA:

Supervise estrechamente la temperatura de los alimentos para mantenerlos seguros. El Servicio de Salud Pública de los Estados Unidos (United States Public Health Service) recomienda mantener los alimentos a un mínimo de 60 °C (140 °F) para prevenir el crecimiento de bacterias. Mantenga correctamente el nivel del agua y el ajuste de la temperatura. Retire periódicamente el recipiente para alimentos y revise el nivel del agua. Agregue agua si es necesario.

8. Cuando termine de usar la unidad. Gire el o los controles de temperatura (E) hasta el cero "0", luego el interruptor de suministro (A) hasta la posición de apagado "OFF" y desenchufe la unidad. Use guantes, mitones o tovaallas para protegerse las manos cuando retire recipientes de comida caliente de la unidad.
9. Deje que la unidad y el agua se enfríen totalmente.
10. Abra la puerta de acceso (B).
11. Coloque un recipiente adecuado directamente debajo de la válvula de drenaje (C). Gire la válvula de drenaje (C) hasta la posición abierta (I) supervisando el flujo de líquido que va a ingresar al recipiente. Tenga cuidado de evitar derrames que puedan crear una condición resbalosa. Gire la válvula de drenaje (C) hasta la posición cerrada (H) antes de que el recipiente se llene. Deseche el agua drenada. Es posible que deba repetir este procedimiento.
12. Gire la válvula de drenaje (C) hasta la posición cerrada (H) y cierre la puerta de acceso (B).

CONTROLES Y OPERACIÓN DE LA ESTACIÓN REFRIGERADA DE LUJO

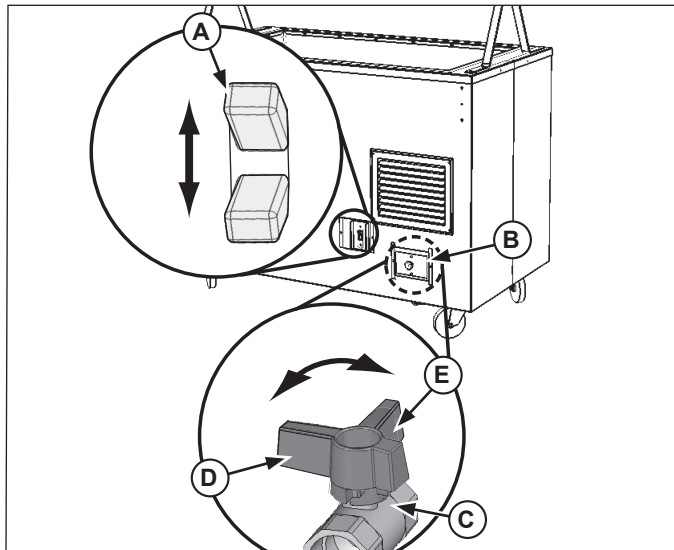


Figura 3. Controles de la fuente fría de lujo

- (A) Interruptor de **ENCENDIDO/APAGADO** Mueva el interruptor hacia arriba para encender la unidad. Mueva el interruptor hacia abajo para apagarla. El interruptor se iluminará cuando esté en la posición de encendido.
- (B) **PUERTA DE ACCESO** para la válvula de drenaje. Ábrala o retírela para acceder a la válvula de drenaje.
- (C) **VÁLVULA DE DRENAJE.** Se usa para vaciar el agua de el o los receptáculos.
- (D) Posición de **VÁLVULA DE DRENAJE CERRADA.** Cuando la válvula está en esta posición, el drenaje está cerrado.
- (E) Posición de **VÁLVULA DE DRENAJE ABIERTA.** Cuando la válvula está en esta posición, el drenaje está abierto.

1. Abra la puerta de acceso (A) y verifique que la válvula de drenaje esté en la posición cerrada (D). Consulte la Figura 2.
2. Enchufe el cable eléctrico en un tomacorriente con puesta a tierra cuyo voltaje nominal corresponda al indicado en la placa identificatoria.
3. Gire el interruptor de suministro (A) hasta la posición de encendido "ON". Esta unidad no tiene un valor de temperatura ajustable. Deje que la unidad funcione durante aproximadamente 30 minutos. Para obtener el mejor rendimiento al usar hielo con esta unidad, déjela funcionar durante aproximadamente 2 horas antes de agregar el hielo. Ello ayudará a mantener el hielo sólido.
4. Coloque los recipientes de alimentos correctamente enfriados en la unidad previamente enfriada.
5. Revise regularmente la temperatura de los alimentos.

NOTA:

Supervise estrechamente la temperatura de los alimentos para mantenerlos seguros. El Servicio de Salud Pública de los Estados Unidos (United States Public Health Service) recomienda mantener los alimentos a un máximo de 5 °C (41 °F) para prevenir el crecimiento de bacterias.

6. Cuando termine de usar la unidad, gire el interruptor de suministro hasta la posición de apagado.
7. Abra la puerta de acceso (B).
8. Si se debe drenar agua de la unidad, coloque un recipiente adecuado directamente debajo de la válvula de drenaje (C). Gire la válvula de drenaje (C) hasta la posición abierta (E) supervisando el flujo de líquido que va a ingresar al recipiente. Tenga cuidado de evitar derrames que puedan crear una condición resbalosa. Gire la válvula de drenaje (C) hasta la posición cerrada (D) antes de que el recipiente se llene. Deseche el agua drenada. Es posible que deba repetir este procedimiento.
9. Gire la válvula de drenaje (C) hasta la posición cerrada (D) y cierre la puerta de acceso (B).



CONTROLES Y OPERACIÓN DE LA ESTACIÓN CALIENTE ESTÁNDAR

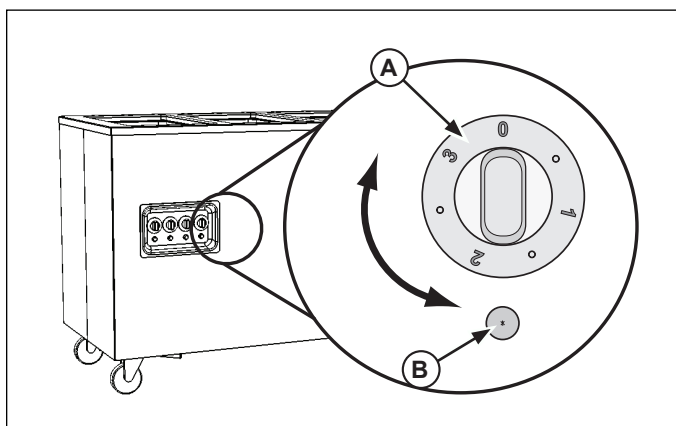


Figura 4. Controles del receptáculo caliente estándar

(A) Selector del **CONTROL DE TEMPERATURA**. Se usa para fijar o ajustar la temperatura del receptáculo. Mientras más alto o más bajo sea el número, más alta o más baja es la temperatura respectivamente. La posición de "0" corresponde a apagado.

(B) Luz de **SUMINISTRO**. Se ilumina cuando el receptáculo está en el modo de calentamiento.

1. Coloque las fuentes para derrame en la abertura del receptáculo.
2. Llene cada fuente con 1.9 litros (2 cuartos de galón aproximadamente) de agua limpia y fresca. No las llene excesivamente.
3. Enchufe el cable eléctrico en un tomacorriente con puesta a tierra cuyo voltaje nominal corresponda al indicado en la placa identificatoria.
4. Precaliente el agua en los receptáculos cubriéndolos con tapas o recipientes de alimento vacíos. Gire el control de temperatura (A) hasta el ajuste máximo de calor. Consulte la Figura 4. Precaliente el agua durante 60 minutos.
5. Coloque en la unidad precalentada los recipientes aptos para alimentos calientes que contengan comida caliente. No use fuentes de más de 10 cm (4") de profundidad.
6. Tape los recipientes de alimento. Deje las tapas en los recipientes si no va a servir comida.
7. Fije el control de calor para mantener la temperatura de conservación caliente y los alimentos seguros. Revise regularmente la temperatura de los alimentos. Ajuste los controles si fuera necesario.

NOTA:

Supervise estrechamente la temperatura de los alimentos para mantenerlos seguros. El Servicio de Salud Pública de los Estados Unidos (United States Public Health Service) recomienda mantener los alimentos a un mínimo de 60 °C (140 °F) para prevenir el crecimiento de bacterias. Mantenga correctamente el nivel del agua y el ajuste de la temperatura. Retire periódicamente el recipiente para alimentos y revise el nivel del agua. Agregue agua si es necesario.

8. Cuando termine de usar la unidad, gire el control de calor (A) hasta el ajuste del cero "0" y desenchufe la unidad.
9. Use guantes, mitones o tomaollas para protegerse las manos cuando retire recipientes de comida caliente de la unidad.
10. Deje que la unidad y el agua se enfríen totalmente.
11. Retire los recipientes para derrame y deseche el agua.

CONTROLES Y OPERACIÓN DE LA ESTACIÓN NO REFRIGERADA ESTÁNDAR

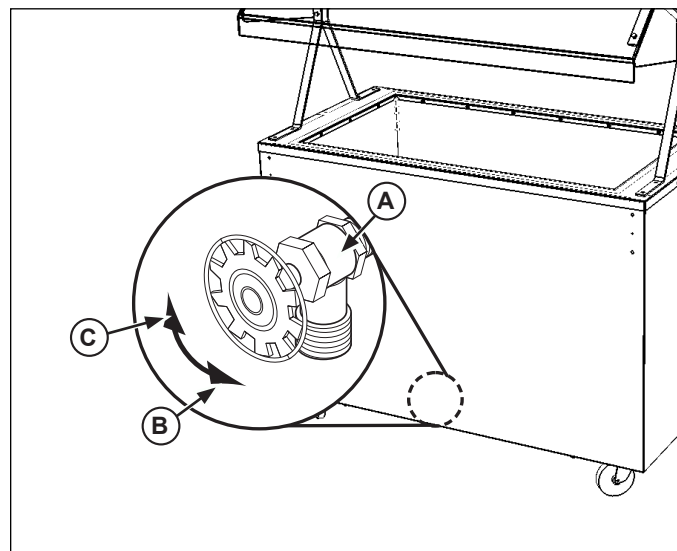


Figura 5. Controles de la estación fría estándar

(A) **VÁLVULA DE DRENAJE**. Se usa para vaciar el agua de o los receptáculos.

(B) Posición de **VÁLVULA DE DRENAJE ABIERTA**. Cuando la válvula está en esta posición, el drenaje está abierto.

(C) Posición de **VÁLVULA DE DRENAJE CERRADA**. Cuando la válvula está en esta posición, el drenaje está cerrado.

1. Coloque hielo en el receptáculo no refrigerado. Para obtener el mejor rendimiento deje que la unidad se enfríe durante aproximadamente 1 hora antes de usarla.
2. Coloque los recipientes de alimentos correctamente enfriados en la unidad previamente enfriada.
3. Revise regularmente la temperatura de los alimentos.

NOTA:

Supervise estrechamente la temperatura de los alimentos para mantenerlos seguros. El Servicio de Salud Pública de los Estados Unidos (United States Public Health Service) recomienda mantener los alimentos a un máximo de 5 °C (41 °F) para prevenir el crecimiento de bacterias.

4. Cuando termine de usar la unidad, retire la comida del receptáculo frío.
5. Coloque un recipiente adecuado directamente debajo de la válvula de drenaje (A) o sobre el drenaje del piso. Gire la válvula de drenaje (A) hasta la posición abierta (B) supervisando el flujo de líquido que va a ingresar al recipiente. Tenga cuidado de evitar derrames que puedan crear una condición resbalosa. Gire la válvula de drenaje (A) hasta la posición cerrada (C) antes de que el recipiente se llene. Deseche el agua drenada. Repita este procedimiento si es necesario.
6. Gire la válvula de drenaje (A) hasta la posición de cerrada (C).

ESTACIONES UTILITARIAS Y DE CAJAS REGISTRADORAS

Las estaciones utilitarias y de cajas registradoras están diseñadas para exhibir artículos o equipos no perecibles.

LIMPIEZA

Para conservar su aspecto hermoso y prolongar su vida útil, limpie diariamente la estufa de inducción.

	<p>ADVERTENCIA</p> <p>Peligro de quemaduras. No toque las superficies de calentamiento, los líquidos ni la comida calientes cuando la unidad esté calentando o funcionando.</p>
<p>Los alimentos, vapores y líquidos calientes pueden quemar la piel. Deje que el líquido caliente, las bandejas y los recipientes para derrame se enfríen antes de manipularlos. Use guantes, mitones o tomaollas si es necesario para manipular las fuentes calientes.</p>	

	<p>ADVERTENCIA</p> <p>Peligro de descarga eléctrica. Evite que ingrese agua o cualquier otro tipo de líquido al interior de la unidad, ya que ello podría causar una descarga eléctrica.</p>
<p>No rocíe agua ni agentes de limpieza. El líquido podría hacer contacto con los componentes electrónicos y causar un cortocircuito o descarga eléctrica.</p>	

1. Apague y desenchufe la unidad.
2. Comience la limpieza una vez que los receptáculos calientes se hayan enfriado completamente o los receptáculos fríos se hayan drenado.
3. Limpie el exterior de la unidad con un paño húmedo y limpio.
4. No emplee materiales abrasivos, limpiadores que rayen ni esponjas metálicas para limpiar la unidad, ya que pueden dañar el acabado.
5. Elimine totalmente los restos de detergente o limpiadores químicos suaves, ya que los residuos podrían corroer la superficie de la unidad.

SOLUCIÓN DE PROBLEMAS

Problema	Podría deberse a	Solución
El interruptor no se ilumina cuando está en la posición de encendido "ON".	La unidad no está enchufada.	Enchúfela.
La unidad no llega a la temperatura correcta o no alcanza la temperatura alta.	Voltaje de la unidad bajo o incorrecto.	Verifique que el voltaje de la unidad coincida con el voltaje nominal indicado en la placa identificatoria. Si no es así, pida a personal eléctrico calificado que instale el suministro de voltaje correcto.
	Sin agua o nivel de agua incorrecto.	Agregue agua hasta el nivel correcto.

SERVICIO Y REPARACIÓN

Este artefacto no tiene piezas que puedan ser reparadas por el usuario. Para evitar lesiones o daños materiales graves, no trate de reparar la unidad ni reemplazar un cable eléctrico por su cuenta. No envíe las unidades directamente a The Vollrath Company. Comuníquese con el servicio de reparación profesional calificado que se menciona a continuación.

Servicio de reparaciones de VOLLRATH • 1-800-628-0832

Al comunicarse con el centro del servicio de reparación profesional autorizado, esté listo para proporcionar el número de modelo, número de serie y el comprobante de compra que muestre la fecha en que adquirió la unidad.



DIAGRAMA DE CABLEADO ~ 120 VOLTIOS, 3 A 4 RECEPTÁCULOS CALIENTES

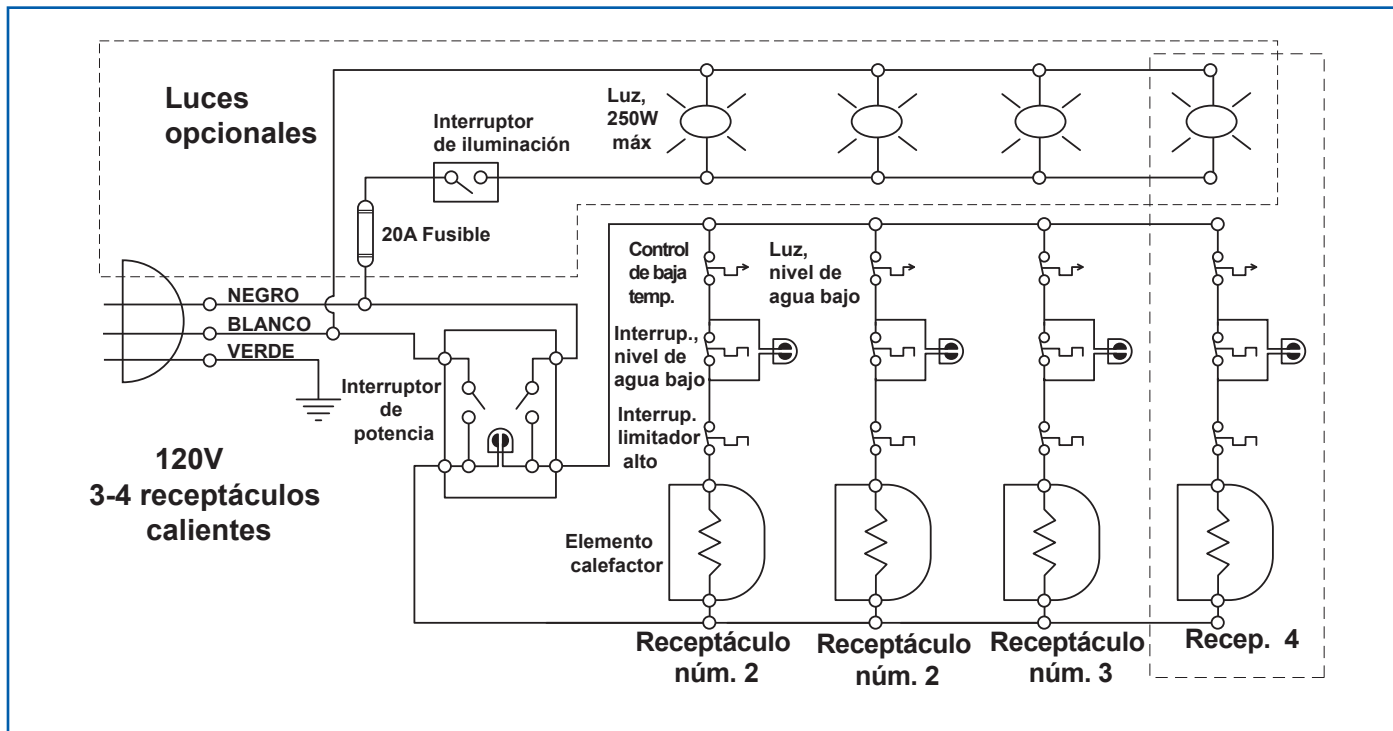


DIAGRAMA DE CABLEADO ~ 120 VOLTIOS, 3 A 4 RECEPTÁCULOS CALIENTES CON RELÉ

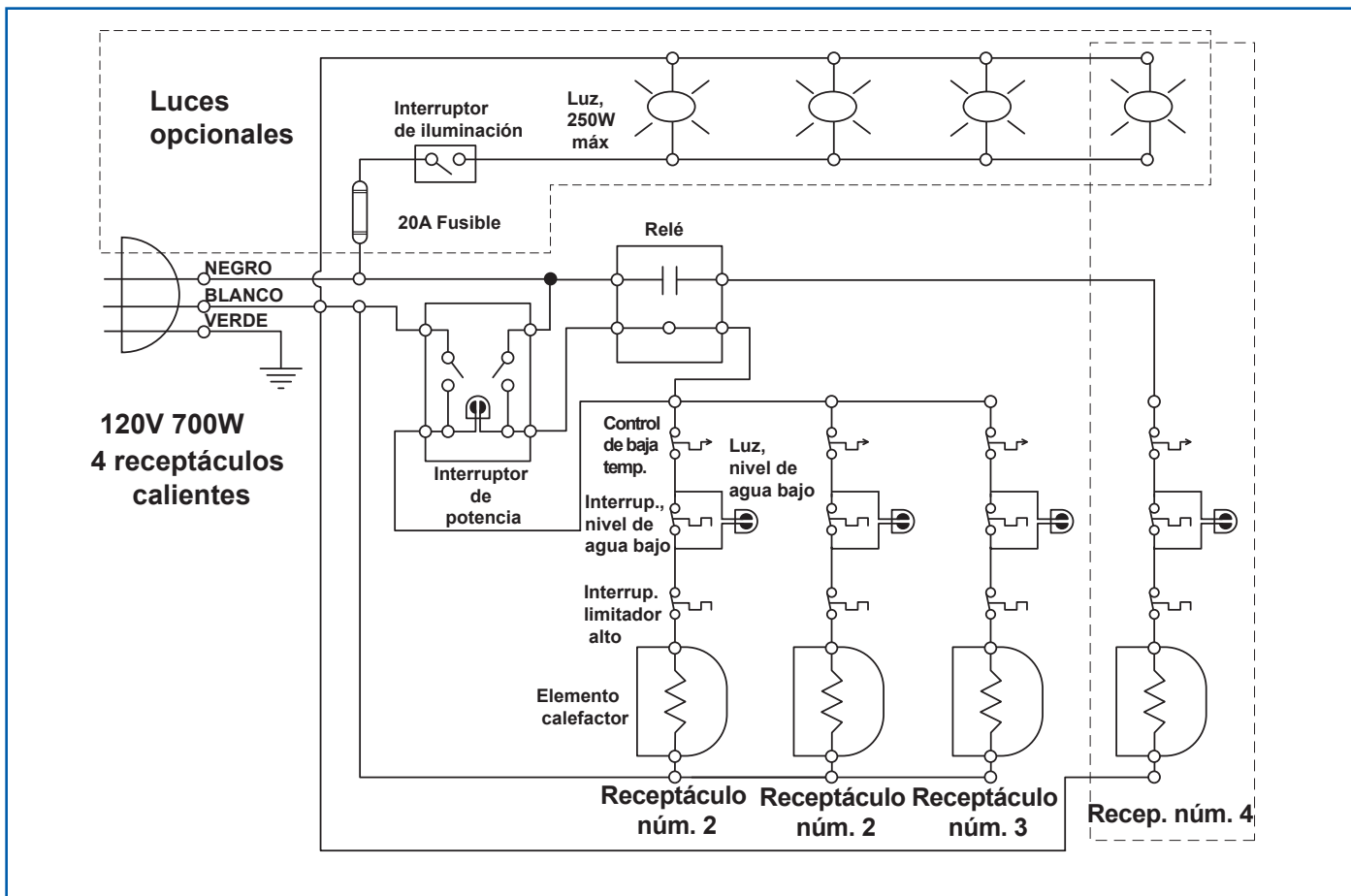
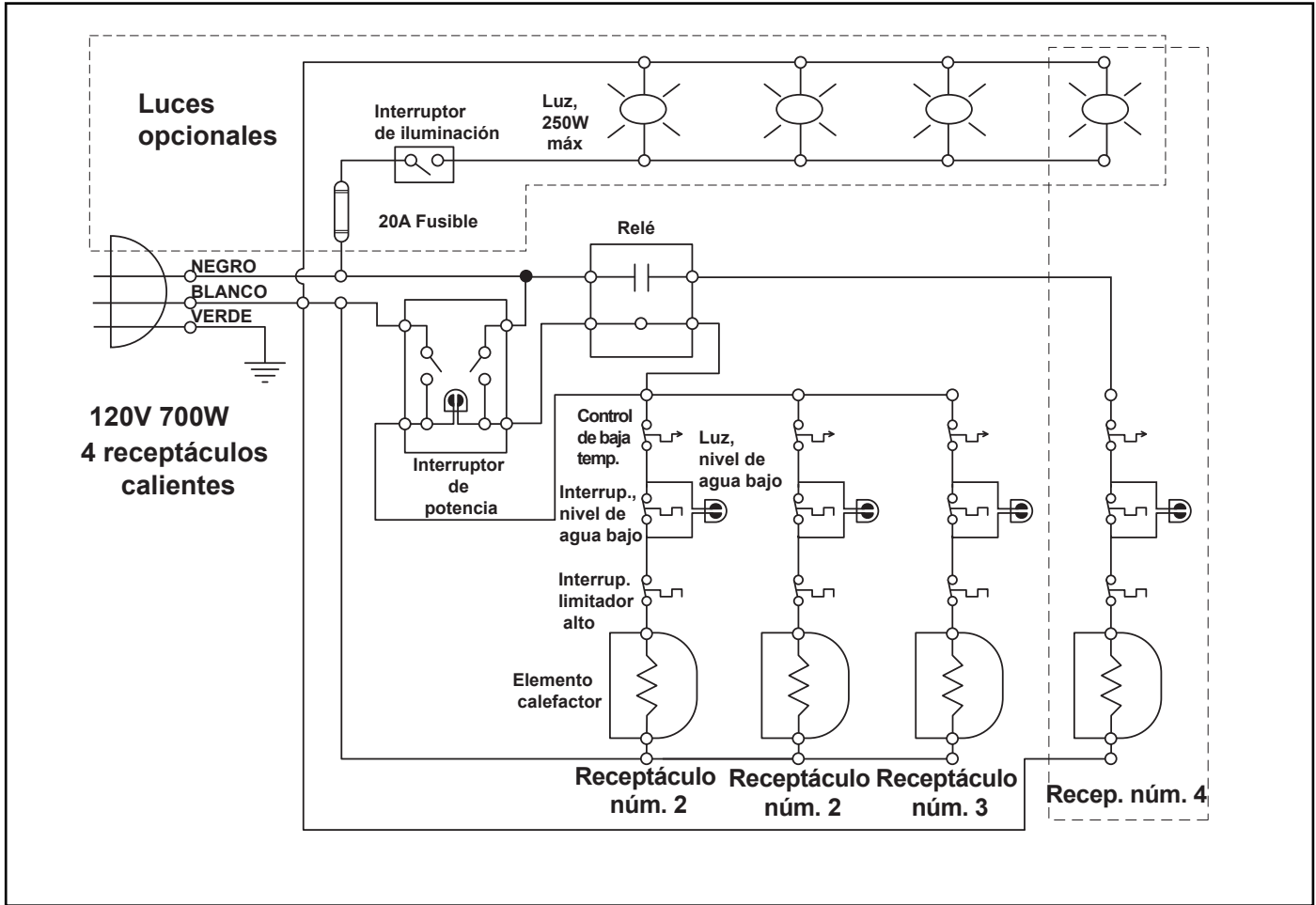


DIAGRAMA DE CABLEADO ~ 120/208-240 VOLTIOS, 3 A 4 RECEPTÁCULOS CALIENTES



CLÁUSULA DE GARANTÍA DE THE VOLLRATH Co. L.L.C.

The Vollrath Company L.L.C. garantiza los productos que fabrica y distribuye contra defectos en materiales y fabricación por un período de un año, salvo según se especifica a continuación: La garantía dura por 12 meses a partir de la fecha de instalación original. (Recibo de usuario final)

1. Compresores de refrigeración – período de garantía de 5 años.
2. Repuestos – período de garantía de 90 días.
3. Sartenes y baterías de cocina recubiertas – período de garantía de 90 días.
4. Sistema de remachado EverTite™ – la garantía cubre los remaches sueltos solamente, para siempre.
5. Tiras calentadoras Cayenne® – período de garantía de 1 año más 1 año adicional para las piezas del elemento calefactor solamente.
6. Estufas de inducción serie Ultra y Profesional – período de garantía de 2 años.
7. Estufas de inducción Mirage y serie Comercial – período de garantía de 1 año.
8. Estaciones de trabajo ServeWell® a inducción – período de garantía de un año para la mesa de la estación de trabajo y 2 años para los quemadores de inducción.
9. Rebanadoras – período de garantía de 10 años para los engranajes y 5 años para las correas.
10. Batidoras – período de garantía de 2 años.
11. Se ofrecen garantías extendidas al momento de la venta.
12. Batidoras de Boxer – intercambio por 1 año.
13. Productos Vollrath – Redco – período de garantía de 2 años.
14. Líneas de productos Optio/Arkadia – período de garantía de 90 días.
15. Todos los productos no adherentes (por ejemplo sartenes y superficies) tienen una garantía de 90 días para las superficies no adherentes.

Todos los productos de la colección Jacob's Pride®, incluyendo los siguientes, tienen garantía vitalicia:

- Porcionadores de una sola pieza certificados por NSF
- Utensilios Spoodle® certificados por NSF
- Cucharas altamente resistentes con mango ergonómico certificadas por NSF
- Cucharas para servir altamente resistentes certificadas por NSF
- Volteadores de servicio pesado con mango ergonómico
- Tenazas de una sola pieza*
- Cucharones de una sola pieza altamente resistentes*
- Batidores con mango de nylon
- Espumaderas de una sola pieza
- Baterías de cocina Tribute®, Intrigue® y Classic Select®*

*La garantía de Jacob's Pride® no cubre los revestimientos Kool-Touch® no adherentes ni los mangos de silicona.

Artículos vendidos sin garantía:

- Cuchillos para moladoras de carne
- Bombillas en hornos de convección y exhibidores de comida caliente
- Sellos para puertas de hornos
- Vidrio para puertas de hornos
- Vidrio para exhibidores de comida caliente/vitrinas de presentación
- Calibración e instalación de equipos a gas
- Hojas de rebanadora/cortadora (preparación en sobremesa) – Redco y Vollrath

ESTA GARANTÍA REEMPLAZA A TODAS LAS DEMÁS GARANTÍAS, EXPRESAS O IMPLÍCITAS, INCLUYENDO GARANTÍAS IMPLÍCITAS DE COMERCIABILIDAD E IDONEIDAD PARA UN FIN O USO EN PARTICULAR

A menos que se indique lo contrario a continuación, la única responsabilidad de The Vollrath Company LLC y la única solución para el comprador, en caso de violación de garantía, The Vollrath Company LLC reparará o, a su criterio, reemplazará el producto defectuoso:

- Para los compresores de refrigeración y el segundo año de garantía para las batidoras y tiras calentadoras Cayenne®, The Vollrath Company LLC proporcionará la pieza reparada o el repuesto solamente; y el comprador asumirá la responsabilidad por todos los gastos de mano de obra en que se incurra en la reparación o reemplazo.
- Para obtener el servicio de garantía, el comprador debe devolver a The Vollrath Company LLC todo producto (que no sea el equipo a gas instalado permanentemente) que pese menos de 50 kg (110 lbs.) o que se encuentre fuera de un radio de 80 km (50 miles) de un técnico de servicio certificado por The Vollrath Company LLC para efectuar reparaciones. Si no es posible comunicarse con un técnico de Vollrath, en el sitio web encontrará los puntos de contacto para obtener servicio. (En el catálogo de productos encontrará los pesos y tamaños de los productos).
- No se ofrece ninguna solución para los productos dañados debido a accidente, descuido, instalación incorrecta, falta de configuración o supervisión correctas cuando era necesario, negligencia, uso incorrecto, instalación u operación contraria a las instrucciones de instalación y operación u otras causas que estén relacionadas con defectos de mano de obra o fabricación. Si el cliente lo solicita, The Vollrath Company LLC reparará y o reemplazará dichos productos a un precio razonable.
- No se ofrece ninguna solución para las rebanadoras cuya hoja no se haya afilado (en el manual del propietario encontrará las instrucciones para afilarla).
- No se ofrece ninguna solución para las batidoras dañadas al cambiar velocidades con la unidad en marcha o al sobrecargarla, ambos casos determinados por un técnico certificado de Vollrath
- El trabajo de garantía debe contar con la aprobación previa de The Vollrath Company LLC. Consulte las instrucciones de operación y seguridad de cada producto para ver los procedimientos de reclamos bajo garantía.
- No se ofrece solución para los productos devueltos que se determine que son aceptables según su especificación.
- No se ofrece ninguna solución bajo una garantía que no esté inscrita según se exige a continuación.

LIMITACIÓN DE GARANTÍA:

THE VOLLRATH COMPANY LLC NO SERÁ RESPONSABLE DE DAÑOS INCIDENTALES O CONSECUENTES DE NINGÚN TIPO, QUE SE BASEN EN NEGLIGENCIA U OTRO AGRAVIO, VIOLACIÓN DE GARANTÍA O CUALQUIER OTRA TEORÍA.





www.vollrathco.com

The Vollrath Company, L.L.C.
1236 North 18th Street
Sheboygan, WI 53081-3201
U.S.A.

Teléfono: 800.628.0830
Fax: 800.752.5620

Tel. de servicio: 800.628.0832
Fax de servicio: 920.459.5462

Canada Service: 800.695.8560

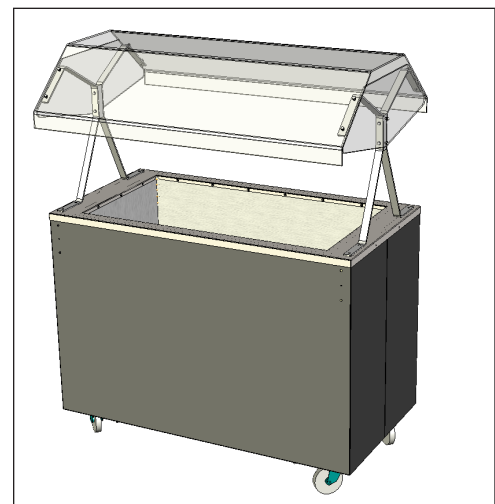
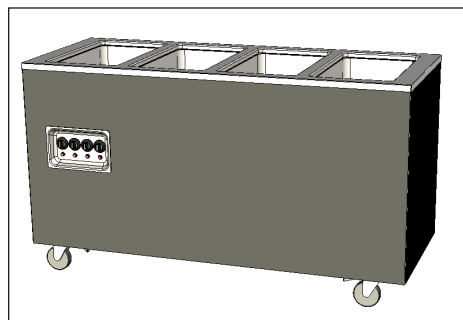
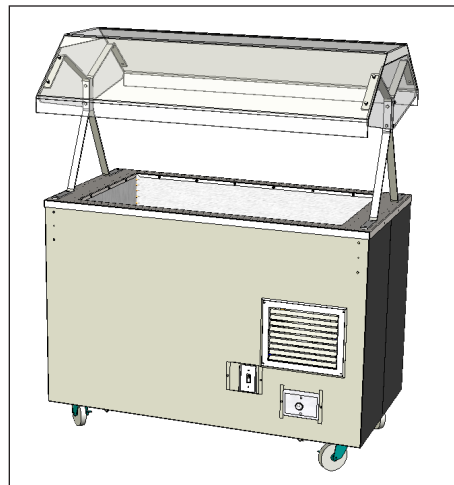
© 2010 The Vollrath Company, L.L.C.



Manuel d'utilisation

ÉQUIPEMENT MOBILE AFFORDABLE PORTABLE DELUXE ÉQUIPEMENT MOBILE AFFORDABLE PORTABLE STANDARD

- Stations plats chauds (Standard ou Deluxe)
- Stations froides réfrigérées
- Stations froides non réfrigérées
- Stations utilitaires
- Station pour caissier



Merci d'avoir acheté cet appareil Affordable Portable Vollrath pour buffet. Avant d'utiliser cet appareil, lisez et familiarisez-vous avec le mode d'emploi et les consignes d'utilisation qui suivent. CONSERVEZ CES INSTRUCTIONS POUR RÉFÉRENCE ULTÉRIEURE. Conservez l'emballage et le carton d'origine. Ils devront être réutilisés pour expédier l'appareil si une réparation est nécessaire.

CONSIGNES DE SÉCURITÉ

Pour garantir un fonctionnement sûr, lisez les avertissements suivants et comprenez leur signification. Ce manuel contient des consignes de sécurité, présentées ci-dessous. Lisez-les attentivement.



AVERTISSEMENT

Un avertissement indique la présence d'un danger qui *peut* causer des blessures graves, un décès ou des dégâts matériels importants s'il est ignoré.



ATTENTION

Une mise en garde indique la présence d'un danger qui *causera* ou *pourra causer* des blessures mineures ou des dégâts matériels si elle est ignorée.

REMARQUE

Une remarque signale des informations importantes sur l'installation, l'utilisation et la maintenance mais ne présentant pas de danger.

Pour votre sécurité !

Ces consignes de sécurité doivent être suivies à tout moment sous peine de blessures.

Pour réduire le risque de blessures et d'endommagement de l'appareil :

- Branchez l'appareil uniquement sur une prise de terre correspondant à la tension nominale de la plaque signalétique.
- Cet appareil doit uniquement être utilisé en position horizontale.
- Débranchez l'appareil et laissez-le refroidir avant de le nettoyer ou de le déplacer.
- Ne vaporisez pas les commandes ou l'extérieur de l'appareil avec des liquides ou des produits nettoyants.
- Débranchez l'appareil lorsque vous ne comptez pas l'utiliser.
- Tenez les plaques à induction et leur cordon d'alimentation à l'écart des flammes nues, des brûleurs électriques ou d'une chaleur excessive.
- N'utilisez pas l'appareil sans le surveiller.
- Surveillez de près les appareils utilisés dans des lieux publics et/ou à proximité d'enfants.
- N'utilisez pas de bacs à aliments de plus de 10 cm (4 po) de profondeur.
- N'utilisez pas l'appareil s'il a été endommagé ou s'il fonctionne mal.
- Ne placez aucun objet derrière les panneaux d'admission ou d'évacuation d'air.
- Ne placez aucun poids sur les commandes.
- N'utilisez pas le compartiment chaud sans eau.

FNCTION ET OBJET

Cet appareil a été conçu pour maintenir les aliments aux températures de service adéquates. Les stations pour aliments chauds ne sont pas prévues pour la cuisson d'aliments crus ou la remise en température de plats préparés. Les stations pour aliments froids ne sont pas prévues ou conçues pour refroidir ou rafraîchir les aliments. Les aliments doivent être préparés et placés dans les stations pour aliments aux températures correctes de service.

DÉBALLAGE ET INSTALLATION INITIALE

Enlevez avec précaution les caisses et le matériel d'emballage de l'appareil. Jetez tout le matériel d'emballage en respectant l'environnement.

CORDON ÉLECTRIQUE (CERTAINS MODÈLES)

Dégagez le cordon d'alimentation de l'endroit où il a été fixé pour l'expédition. Il est généralement enroulé à l'intérieur de l'armoire.

REMARQUE :

Lors du déplacement ou du transport de cet appareil, veillez à ne pas abîmer le cordon électrique.

ÉCLAIRAGE (CERTAINS MODÈLES)

Si un éclairage est utilisé, il est recommandé d'utiliser des lampes revêtues de plastique ou de type équivalent pour réduire le risque de bris.

INSTALLATION DU PARE-HALEINE (CERTAINS MODÈLES)

Certains modèles sont expédiés avec un pare-haleine non installé. Pour installer le pare-haleine, procédez comme suit :

1. Installez les montants du pare-haleine (A) aux goujons (B) en les fixant avec les écrous borgnes (C), comme illustré. Voir la figure 1. Répétez pour les quatre montants.

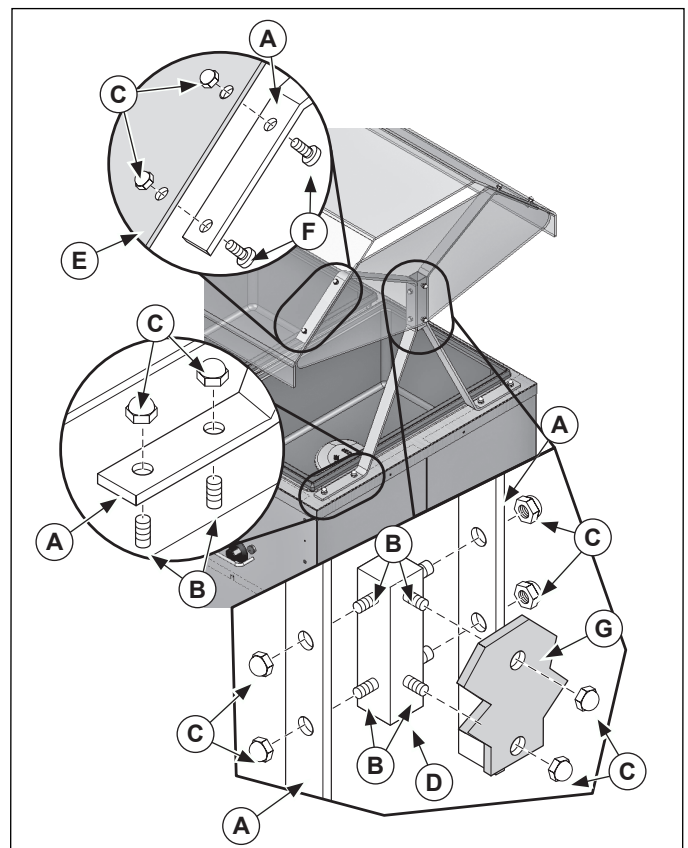


Figure 1. Installation du pare-haleine

2. Installez le tube-support du pare-haleine (D) entre les montants (A) en les fixant avec les écrous borgnes (C), comme illustré. Reprenez de l'autre côté.
3. Installez la protection du pare-haleine (E) en la fixant avec les vis (F) et les écrous borgnes (C). Reprenez aux quatre points de montage.
4. Installez la protection du pare-haleine (G) au tube-support (D) les fixant avec les écrous borgnes (C), comme illustré. Reprenez de l'autre côté.

INSTALLATION

Cet appareil doit uniquement être utilisé sur une surface horizontale. Si cet appareil a des commandes et des trous d'évacuation, ils doivent être accessibles à tout moment de l'utilisation. Si l'appareil a un évent, celui-ci doit être dégagé pour permettre la circulation d'air.

REMARQUE :

Ne déplacez pas l'appareil en poussant ou tirant sur le pare-haleine.

Il doit y avoir un dégagement minimum de 61 cm (24 po) entre les surfaces pleines (un côté) et les modèles chauffants (deux côtés).

Il doit y avoir un dégagement minimum de 61 cm (24 po) entre les événements et toute surface pleine pour les modèles à événements.

Une circulation d'air suffisante doit être assurée autour de l'appareil. Une circulation d'air insuffisante risque d'entraîner la surchauffe de l'appareil.

MODE D'EMPLOI

	AVERTISSEMENT
	Risque de brûlure. Ne touchez pas les surfaces de chauffe, le liquide ou les aliments quand l'appareil chauffe ou fonctionne.
Les aliments, la vapeur et les liquides chauds peuvent causer des brûlures. Laissez refroidir le liquide, les bacs à eau et les plateaux chauds avant manipulation. Utilisez des gants, gants de four ou maniques au besoin pour saisir les bacs chauds.	

	AVERTISSEMENT
	Risque d'électrocution. Empêchez toute infiltration d'eau et autres liquides dans l'appareil. L'infiltration de liquide dans l'appareil risque de causer une électrocution. N'utilisez pas de cordon d'alimentation endommagé.
Ne remplissez pas trop les compartiments, les bacs ou les plateaux. Du liquide risque d'entrer en contact avec les composants électriques et de causer un court-circuit ou une décharge électrique. Débranchez l'appareil avant toute maintenance, vidange ou retrait des bacs à eaux et plateaux. Ne vaporisez pas d'eau ou de produits nettoyants. N'utilisez pas l'appareil si le cordon d'alimentation est abîmé ou a été modifié.	

COMMANDES DE STATION POUR ALIMENTS CHAUDS DELUXE ET MODE D'EMPLOI

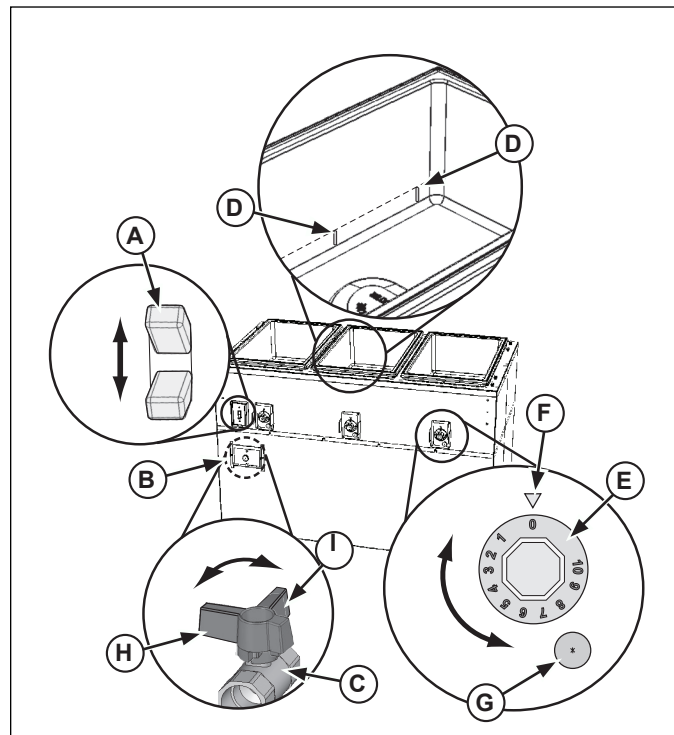


Figure 2. Commandes de station pour aliments chauds Deluxe

- (A)** Interrupteur de marche/arrêt (ON/OFF) Placez l'interrupteur en position relevée pour mettre en marche. Placez l'interrupteur en position abaissée pour arrêter. L'interrupteur s'allume quand il est en position Marche.
- (B)** PORTE D'ACCÈS au robinet de vidange. Ouvrez ou enlevez pour accéder au robinet de vidange.
- (C)** ROBINET DE VIDANGE. Permet de vider l'eau du ou des compartiments.
- (D)** REPÈRES DE NIVEAU D'EAU. Permet d'indiquer le niveau d'eau correct.
- (E)** CADRAN DU THERMOSTAT. Permet de régler la température du bac. Plus le nombre est élevé, plus la température est haute, et inversement. À la position 0, l'appareil est arrêté.
- (F)** POINT DE RÉFÉRENCE DU CADRAN. Permet de montrer à quelle température le thermostat est réglé.
- (G)** VOYANT DE NIVEAU D'EAU BAS. S'allume quand le compartiment a besoin d'eau. Si le voyant s'allume en cours d'utilisation, de l'eau fraîche et claire doit être ajoutée au compartiment.
- (H)** ROBINET DE VIDANGE EN POSITION FERMÉE. Quand le robinet est dans cette position, le trou d'évacuation est fermé.
- (I)** ROBINET DE VIDANGE EN POSITION OUVERTE. Quand le robinet est dans cette position, le robinet de vidange est ouvert.

1. Ouvrez la porte d'accès au robinet (B) et assurez-vous que le robinet de vidange (C) est en position fermée (H). Voir la figure 2.
2. Remplissez le compartiment d'eau fraîche et claire jusqu'au repère de niveau correct (D). Le niveau correct se situe à 2,5 cm (1 po) environ. Ne remplissez pas trop.
3. Branchez le cordon d'alimentation sur une prise de terre indiquant la tension nominale de la plaque signalétique.
4. Préchauffez l'eau dans les compartiments en les couvrant avec des bacs à aliments vides ou des couvercles. Mettez l'interrupteur (A) en position Marche ou tournez le thermostat (E) à la température maximum. Préchauffez pendant 45 minutes. L'eau est portée à ébullition.
5. Enlevez les bacs à aliments vides ou les couvercles. Installez des bacs prévus pour contenir des aliments chauds et chargés d'aliments chauds dans les compartiments préchauffés. N'utilisez pas de bacs à aliments de plus de 10 cm (4 po) de profondeur.
6. Placez les couvercles sur les bacs à aliments. Laissez les couvercles en place jusqu'à ce que vous serviez les aliments.
7. Réglez le ou les thermostats (E) pour maintenir les aliments à la température correcte de maintien au chaud pour préserver la sécurité. Vérifiez régulièrement la température des aliments.

REMARQUE :

Surveillez de près la température des aliments pour maintenir la sécurité des aliments. Les services d'hygiène publique des États-Unis préconisent le maintien des aliments chauds à 60 °C (140 °F) minimum pour éviter la prolifération des bactéries. Maintenez l'eau et la température au niveau correct. Enlevez périodiquement le bac contenant les aliments et vérifiez le niveau d'eau. Ajoutez de l'eau au besoin.

8. Quand vous aurez fini d'utiliser l'appareil : Mettez le ou les thermostats (E) à 0, mettez l'interrupteur (A) en position Arrêt et débranchez l'appareil. Lorsque vous retirez des bacs à aliments chauds de l'appareil, munissez-vous de gants de four ou de maniques pour vous protéger les mains.
9. Laissez complètement refroidir l'appareil et l'eau.
10. Ouvrez la porte d'accès (B).
11. Placez un récipient adapté juste sous le robinet de vidange (C). Ouvrez (I) le robinet de vidange (C) en surveillant le débit de liquide qui finit dans le récipient. Usez de prudence pour éviter les déversements pouvant causer des glissades. Fermez (H) le robinet de vidange (C) avant que le récipient ne soit plein. Jetez l'eau de vidange. Cette procédure devra peut-être être répétée.
12. Fermez (H) le robinet de vidange (C) et fermez la porte d'accès (B).

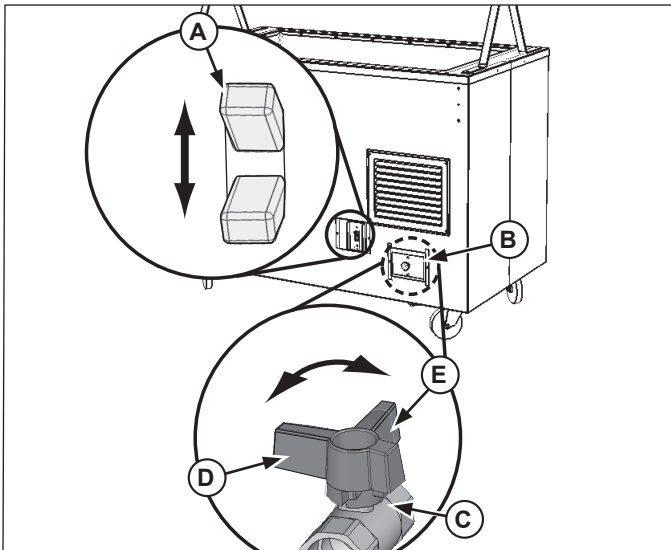
COMMANDES DE STATION RÉFRIGÉRÉE DELUXE ET MODE D'EMPLOI


Figure 3. Commandes de station pour aliments froids Deluxe

- A** **Interrupteur de marche/arrêt.** Placez l'interrupteur en position relevée pour mettre en marche. Placez l'interrupteur en position abaissée pour arrêter. L'interrupteur s'allume quand il est en position Marche.
- B** **PORTE D'ACCÈS** au robinet de vidange. Ouvrez ou enlevez pour accéder au robinet de vidange.
- C** **ROBINET DE VIDANGE.** Permet de vider l'eau du ou des compartiments.
- D** **ROBINET DE VIDANGE EN POSITION FERMÉE.** Quand le robinet est dans cette position, le trou d'évacuation est fermé.
- E** **ROBINET DE VIDANGE EN POSITION OUVERTE.** Quand le robinet est dans cette position, le robinet de vidange est ouvert.

1. Ouvrez la porte d'accès au robinet (A) et assurez-vous que le robinet de vidange est en position fermée (D). Voir la figure 2.
2. Branchez le cordon d'alimentation sur une prise de terre indiquant la tension nominale de la plaque signalétique.
3. Placez l'interrupteur (A) en position Marche. Cet appareil n'a pas de thermostat. Laissez fonctionner l'appareil pendant 30 minutes environ. Pour la meilleure performance en utilisant de la glace avec cet appareil, laissez fonctionner l'appareil pendant 2 heures environ avant d'ajouter de la glace. Ceci permettra à la glace de rester solide.
4. Placez les bacs contenant les aliments correctement réfrigérés dans l'appareil prérefroidi.
5. Vérifiez régulièrement la température des aliments.

REMARQUE :

Surveillez de près la température des aliments pour maintenir la sécurité des aliments. Les services d'hygiène publique des États-Unis préconisent le maintien des aliments chauds à 5 °C (41 °F) maximum pour éviter la prolifération des bactéries.

6. Une fois que vous aurez fini d'utiliser l'appareil, mettez l'interrupteur en position Arrêt.
7. Ouvrez la porte d'accès (B).
8. Si l'appareil doit être vidé de son eau, placez un récipient adapté juste sous le robinet de vidange (C). Ouvrez (E) le robinet de vidange (C) en surveillant le débit de liquide qui finit dans le récipient. Usez de prudence pour éviter les déversements pouvant causer des glissades. Fermez (D) le robinet de vidange (C) avant que le récipient ne soit plein. Jetez l'eau de vidange. Cette procédure devra peut-être être répétée.
9. Fermez (D) le robinet de vidange (C) et fermez la porte d'accès (B).



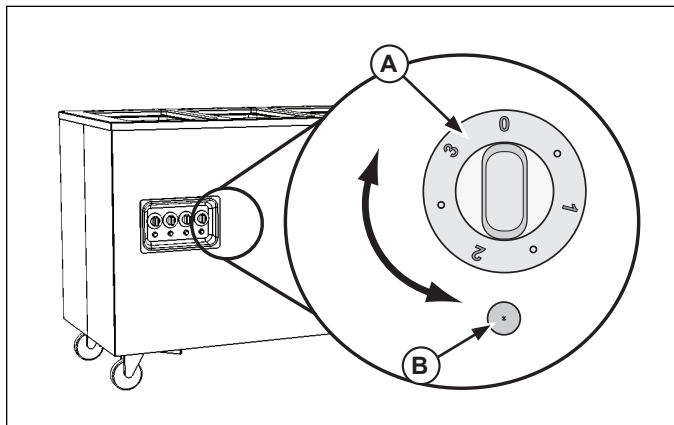
COMMANDES DE STATION POUR ALIMENTS CHAUDS STANDARD
ET MODE D'EMPLOI

Figure 4. Commandes de station pour aliments chauds Standard

- (A) CADRAN DU THERMOSTAT.** Permet de régler la température du bac. Plus le nombre est élevé, plus la température est haute, et inversement. À la position 0, l'appareil est arrêté.
- (B) VOYANT MARCHÉ.** S'allume quand le compartiment est en mode Chauffe.
- Placez les bacs à eau dans l'ouverture du compartiment.
 - Remplissez chaque bac de 2 litres d'eau fraîche et claire environ. Ne remplissez pas trop.
 - Branchez le cordon d'alimentation sur une prise de terre indiquant la tension nominale de la plaque signalétique.
 - Préchauffez l'eau dans les compartiments en les couvrant avec des bacs à aliments vides ou des couvercles. Tournez le thermostat (A) au réglage maximum. Voir la figure 4. Préchauffez pendant 60 minutes.
 - Installez des bacs prévus pour contenir des aliments chauds et chargés d'aliments chauds dans l'appareil préchauffé. N'utilisez pas de bacs à aliments de plus de 10 cm (4 po) de profondeur.
 - Placez les couvercles sur les bacs à aliments. Laissez les couvercles en place jusqu'à ce que vous serviez les aliments.
 - Réglez le thermostat pour maintenir les aliments à la température correcte de maintien au chaud pour préserver la sécurité. Vérifiez régulièrement la température des aliments. Ajustez le thermostat au besoin.

REMARQUE :

Surveillez de près la température des aliments pour maintenir la sécurité des aliments. Les services d'hygiène publique des États-Unis préconisent le maintien des aliments chauds à 60 °C (140 °F) minimum pour éviter la prolifération des bactéries. Maintenez l'eau et la température au niveau correct. Enlevez périodiquement le bac contenant les aliments et vérifiez le niveau d'eau. Ajoutez de l'eau au besoin.

- Une fois que vous aurez fini d'utiliser l'appareil, mettez le thermostat (A) à 0 et débranchez l'appareil.
- Lorsque vous retirez des bacs à aliments chauds de l'appareil, munissez-vous de gants de four ou de maniques pour vous protéger les mains.
- Laissez complètement refroidir l'appareil et l'eau.
- Enlevez les bacs à eau et jetez l'eau.

COMMANDES DE STATION NON RÉFRIGÉRÉE STANDARD ET MODE D'EMPLOI

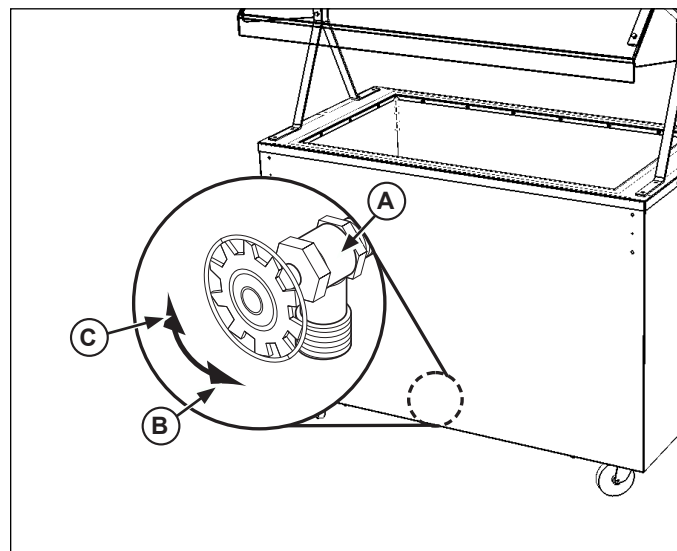


Figure 5. Commandes de station pour aliments froids Standard

- (A) ROBINET DE VIDANGE.** Permet de vider l'eau du ou des compartiments.
- (B) ROBINET DE VIDANGE EN POSITION OUVERTE.** Quand le robinet est dans cette position, le trou d'évacuation est ouvert.
- (C) ROBINET DE VIDANGE EN POSITION FERMÉE.** Quand le robinet est dans cette position, le trou d'évacuation est fermé.
- Mettez de la glace dans le compartiment non réfrigéré. Pour une performance optimale, laissez refroidir l'appareil pendant 1 heure environ avant utilisation.
 - Placez les bacs contenant les aliments correctement réfrigérés dans l'appareil prérefroidi.
 - Vérifiez régulièrement la température des aliments.

REMARQUE :

Surveillez de près la température des aliments pour maintenir la sécurité des aliments. Les services d'hygiène publique des États-Unis préconisent le maintien des aliments chauds à 41 °F (5 °C) maximum pour éviter la prolifération des bactéries.

- Une fois que vous aurez fini d'utiliser l'appareil, retirez les aliments du compartiment froid.
- Placez un récipient adapté juste sous le robinet de vidange (A) ou sur un siphon de sol. Ouvrez (B) le robinet de vidange (A) en surveillant le débit de liquide qui finit dans le récipient. Usez de prudence pour éviter les déversements pouvant causer des glissades. Fermez (C) le robinet de vidange (A) avant que le récipient ne soit plein. Jetez l'eau de vidange. Reprenez cette procédure au besoin.
- Fermez (C) le robinet de vidange (A).

STATIONS UTILITAIRES ET STATIONS POUR CAISSIER

Les stations utilitaires et stations pour caissier sont prévues pour la présentation d'aliments non périssables ou d'équipement.

NETTOYAGE

Pour maintenir l'apparence et augmenter la durée de service de la plaque à induction, nettoyez-la chaque jour.

	AVERTISSEMENT
	<p>Risque de brûlure. Ne touchez pas les surfaces de chauffe, le liquide ou les aliments quand l'appareil chauffe ou fonctionne.</p>
<p>Les aliments, la vapeur et les liquides chauds peuvent causer des brûlures. Laissez refroidir le liquide, les bacs à eau et les plateaux chauds avant manipulation. Utilisez des gants, gants de four ou maniques au besoin pour saisir les bacs chauds.</p>	

	AVERTISSEMENT
	<p>Risque d'électrocution. Empêchez toute infiltration d'eau et autres liquides dans l'appareil. L'infiltration de liquide dans l'appareil risque de causer une électrocution.</p>
<p>Ne vaporisez pas d'eau ou de produits nettoyants. Du liquide risque d'entrer en contact avec les composants électriques et de causer un court-circuit ou une décharge électrique.</p>	

1. Arrêtez et débranchez l'appareil.
2. Commencez à nettoyer une fois les appareils à compartiments chauds entièrement refroidis ou les appareils à compartiments froids vidés.
3. Essuyez l'extérieur de l'appareil avec un chiffon humide propre.
4. N'utilisez pas de produits ou nettoyants abrasifs, ni de tampons récurants pour nettoyer l'appareil sous peine d'endommager la finition.
5. Essuyez bien tout résidu de savon doux ou de nettoyants chimiques. Les résidus risquent de corroder la surface de l'appareil.

DÉPANNAGE

Problème	La cause en est peut-être	Mesure corrective
L'interrupteur ne s'allume pas quand il est en position Marche.	L'appareil n'est pas branché.	Branchez-le.
L'appareil ne chauffe pas à la température correcte ou à une température élevée.	Tension d'alimentation basse ou incorrecte.	Vérifiez si la tension nominale de l'appareil correspond à la tension d'alimentation. Sinon, demandez à un électricien qualifié d'installer une alimentation de la tension correcte.
	Pas d'eau ou niveau d'eau incorrect.	Ajoutez de l'eau jusqu'au niveau correct.

SAV ET RÉPARATIONS

Cet appareil ne contient aucune pièce réparable par l'utilisateur. Pour éviter toute blessure grave ou tout dommage sévère, n'essayez jamais de réparer l'appareil ou de remplacer vous-même un cordon d'alimentation endommagé. N'envoyez aucun appareil directement à la Vollrath Company. Contactez le service de réparation professionnel qualifié indiqué ci-dessous.

Service technique VOLLRATH • 1-800-628-0832

Lorsque vous contacterez le service de réparation professionnel, tenez-vous prêt à fournir le numéro de modèle, le numéro de série et le justificatif d'achat indiquant la date d'achat de l'appareil.



SCHÉMA DE CÂBLAGE ~ 120 V 3 - 4 COMPARTIMENTS CHAUDS

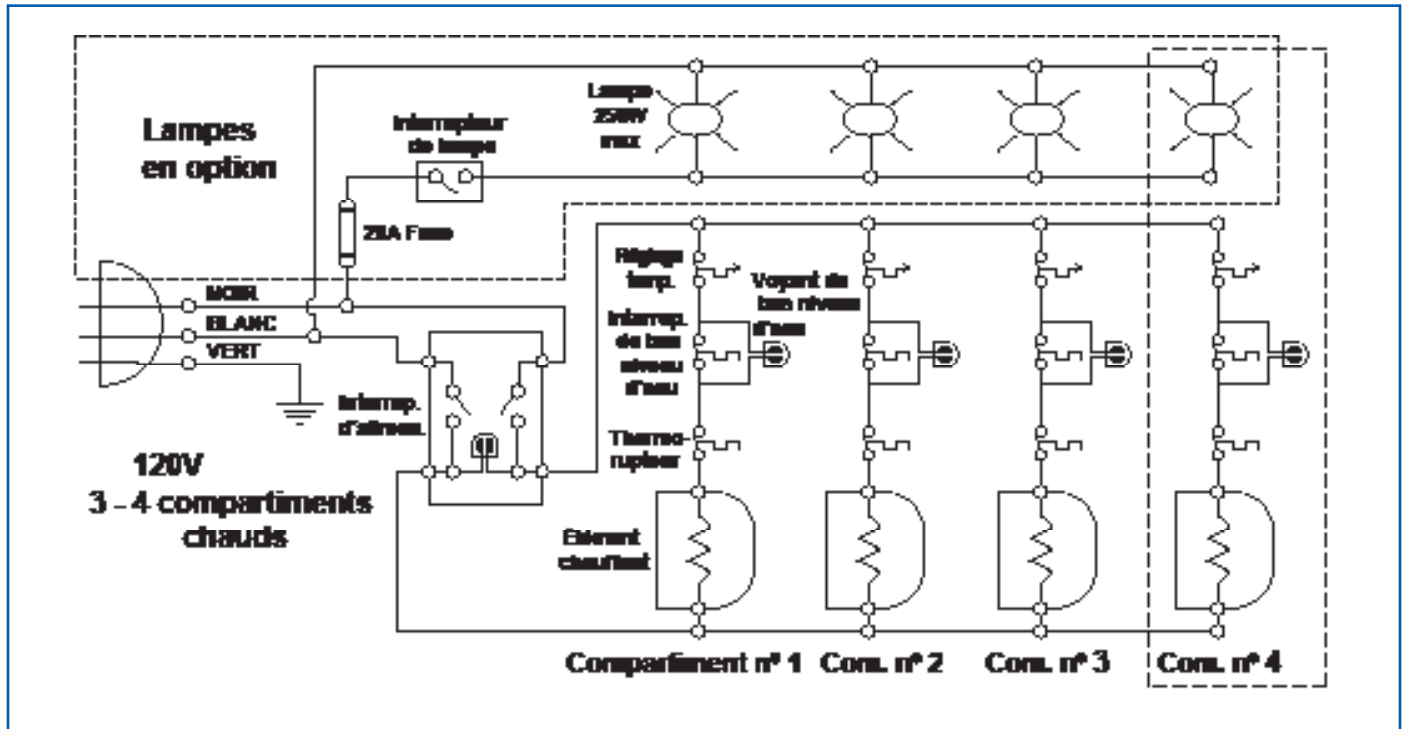


SCHÉMA DE CÂBLAGE ~ 120 V 3 - 4 COMPARTIMENTS CHAUDS AVEC RELAIS

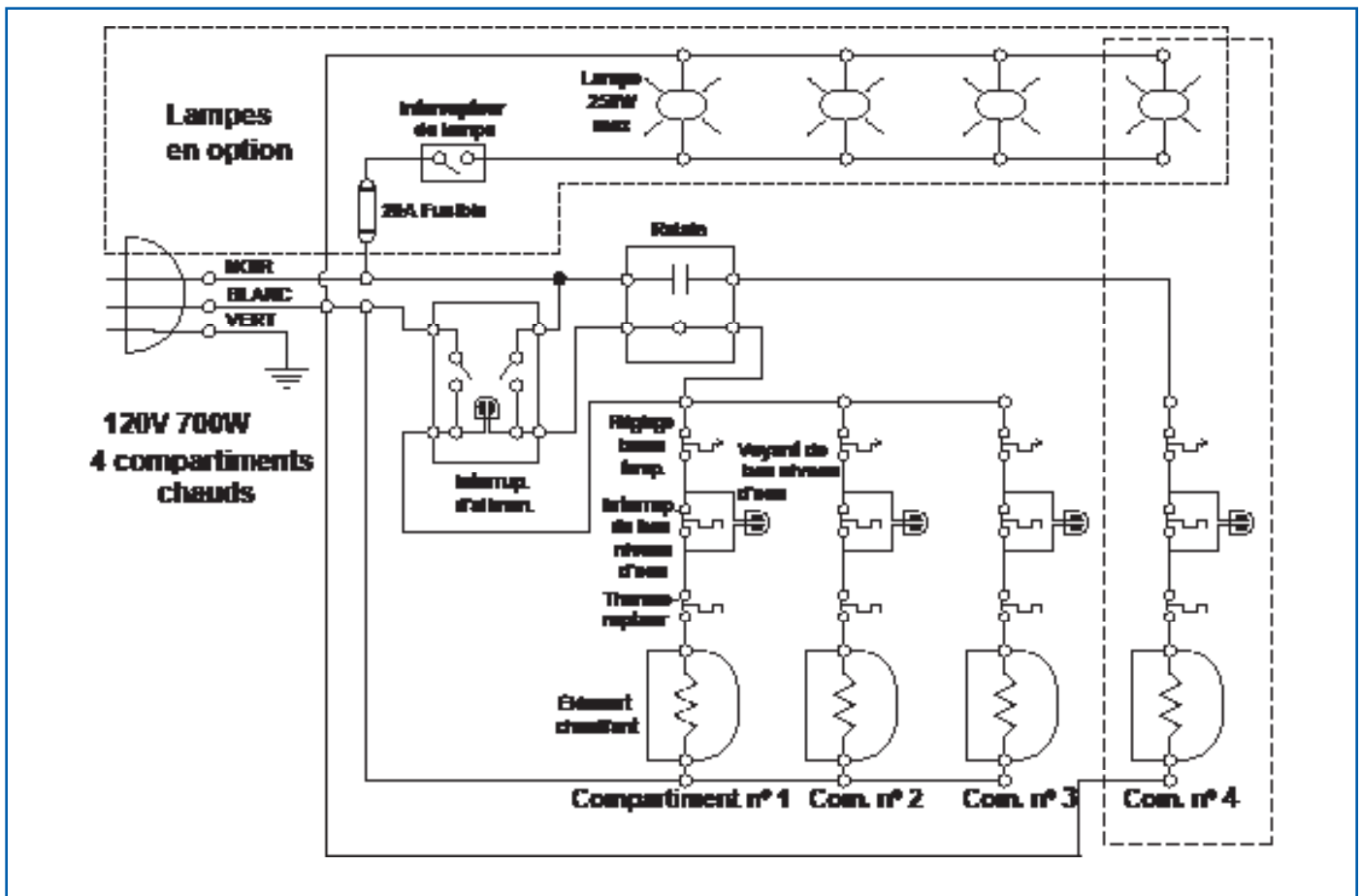
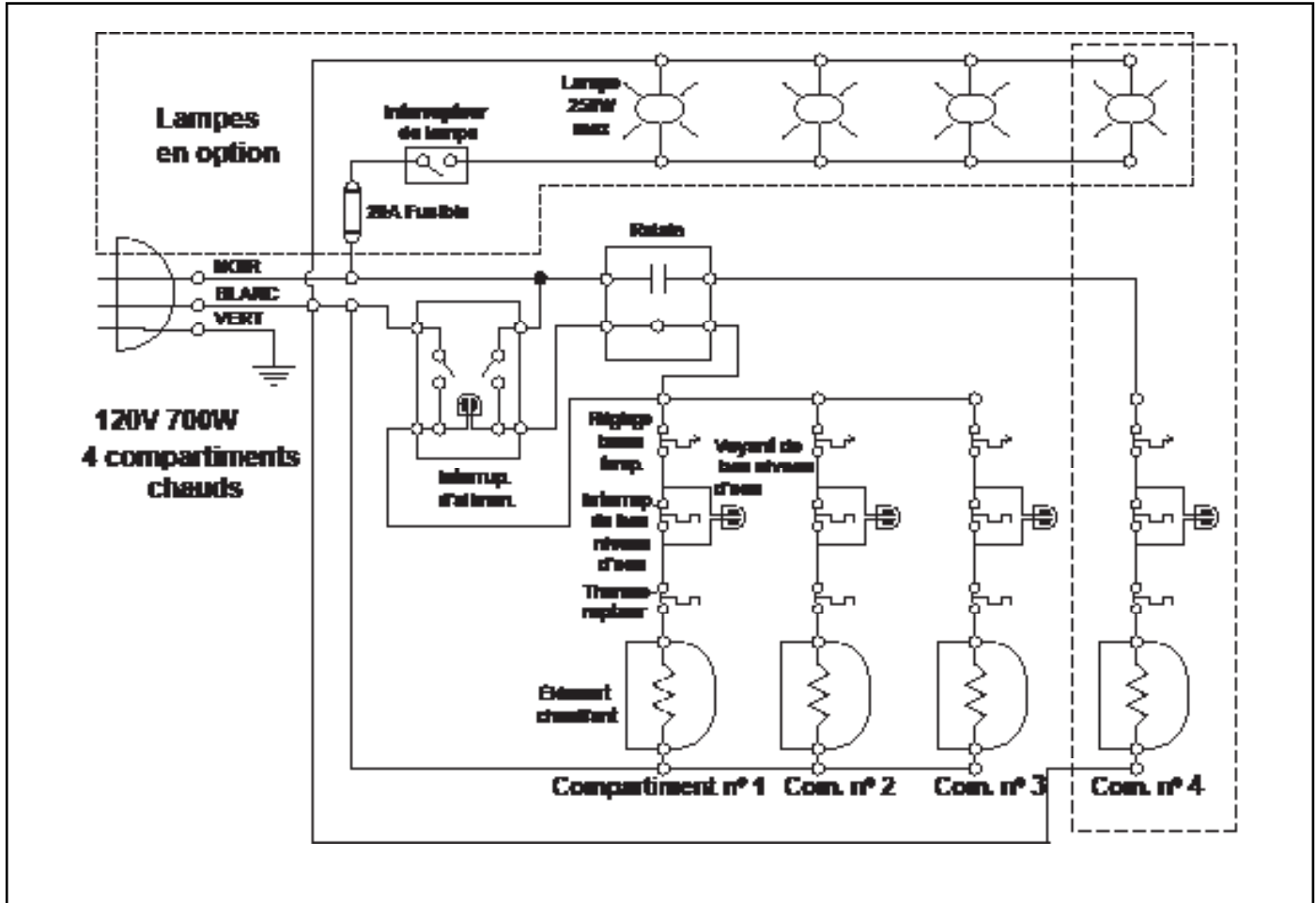


SCHÉMA DE CÂBLAGE ~ 120/208-240 V 3 - 4 COMPARTIMENTS CHAUDS



GARANTIE DE LA VOLLRATH Co. L.L.C.

La Vollrath Company L.L.C. garantit que les produits qu'elle fabrique et distribue seront dépourvus de vices de matériaux et de fabrication pendant une période d'un an, sauf dispositions contraires ci-dessous. La garantie court sur 12 mois à partir de la date d'installation initiale. (Reçu de l'utilisateur final)

1. Compresseurs de réfrigération – La période de garantie est de 5 ans.
2. Pièces détachées – La période de garantie est de 90 jours.
3. Poêles et articles de cuisson à revêtement – La période de garantie est de 90 jours.
4. Système de rivets EverTite™ – La garantie couvre les rivets desserrés seulement, à vie.
5. Rampes chauffantes Cayenne® – La période de garantie est de 1 an, plus une période de 1 an supplémentaire sur les pièces des éléments chauffants seulement.
6. Plaques de cuisson à induction Ultra et Professional – La période de garantie est de 2 ans.
7. Plaques de cuisson à induction Mirage et Commercial – La période de garantie est de 1 an.
8. Postes de travail à induction ServeWell® – La période de garantie est de 1 an pour la table et de 2 ans pour les inducteurs.
9. Trancheurs – La période de garantie est de 10 ans pour les engrenages et de 5 ans pour les courroies.
10. Mélangeurs – La période de garantie est de 2 ans.
11. Des prolongations de garantie sont disponibles au moment de la vente.
12. Mélangeurs Boxer – Garantie-échange de 1 an.
13. Vollrath – produits Redco – La période de garantie est de 2 ans.
14. Gammes de produits Optio / Arkadia – La période de garantie est de 90 jours.
15. Tous les produits anti-adhésifs (poêles et surfaces) – La période de garantie est de 90 jours pour les surfaces anti-adhésives.

Tous les produits de la collection Jacob's Pride®, y compris les suivants, sont assortis d'une garantie à vie :

- Cuillères à servir une pièce certifiées NSF
- Ustensiles Spoodle® certifiés NSF
- Cuillères ultra-solides certifiées NSF avec manche ergonomique
- Cuillères à arroser ultra-solides certifiées NSF
- Pelles extra-robustes à manche ergonomique
- Pincettes une pièce*
- Louches une pièce extra-robustes*
- Fouets à manche en nylon
- Écumoirs une pièce
- Batteries de cuisine Tribute®, Intrigue® et Classic Select®*

*La garantie Jacob's Pride® ne couvre pas le revêtement Kool-Touch®, les revêtements anti-adhésifs et les manches en silicone.

Articles vendus sans garantie :

- Lames de hachoirs à viande
- Ampoules de fours à convection et présentoirs d'aliments chauds
- Joints de porte de four
- Vitre de porte de four
- Vitre de vitrine/présentoir d'aliments chauds
- Étalonnage et installation des équipements au gaz
- Lames de trancheuse / découpeuse en dés (préparation des aliments sur table) – Redco et Vollrath

CETTE GARANTIE REMPLACE TOUTE AUTRE GARANTIE, EXPRESSE OU TACITE, Y COMPRIS TOUTE GARANTIE TACITE DE QUALITÉ MARCHANDE OU D'ADAPTATION À UNE UTILISATION PARTICULIÈRE.

Comme seule responsabilité de la Vollrath Company LLC et seul recours de l'acheteur, en cas de violation de garantie, la Vollrath Company LLC réparera ou, au choix, remplacera le produit ou le composant défectueux, gratuitement, aux exceptions près ci-dessous :

- Pour les compresseurs de réfrigération et la seconde année de garantie sur les rampes chauffantes Cayenne® et les mixeurs, la Vollrath Company LLC fournira uniquement la pièce de rechange ou réparée et l'acheteur sera responsable de tous les frais de main-d'œuvre encourus pour l'exécution de la réparation ou du remplacement.
- Pour faire jouer la garantie, l'acheteur devra retourner à la Vollrath Company LLC tout produit (sauf les équipements au gaz à installation permanente) pesant moins de 50 kg (110 lbs.) ou situé à un rayon de plus de 80 km (50 miles) d'un technicien certifié désigné par la Vollrath Company LLC pour effectuer les réparations sous garantie. Si un technicien Vollrath ne peut être contacté, consultez le site Web pour y trouver un centre de SAV. (Pour le poids et les dimensions du produit, reportez-vous au catalogue de produits.)
- Aucun recours ne sera disponible pour des produits qui ont été endommagés par accident ou négligence, suite à une mauvaise installation, par manque de supervision ou d'installation adéquate, pour cause d'utilisation, d'installation ou d'utilisation incorrecte contraire aux instructions d'installation et d'utilisation ou pour d'autres causes ne résultant pas de vices de matériel ou de défauts de fabrication. À la demande de l'acheteur, la Vollrath Company LLC réparera ou remplacera ces produits pour un prix raisonnable.
- Aucun recours ne sera proposé pour les trancheuses dont la lame n'a pas été affûtée (voir les instructions d'affûtage dans le manuel d'utilisation)
- Aucun recours ne sera proposé pour les mixeurs endommagés suite au changement d'engrenages pendant le fonctionnement ou la surcharge de l'appareil, comme déterminé par un technicien certifié Vollrath.
- Tout travail sous garantie doit être autorisé à l'avance par la Vollrath Company LLC. Pour des détails sur la procédure de réclamation sous garantie, voir le mode d'emploi et les consignes de sécurité fournies avec chaque produit.
- Aucun recours ne sera proposé pour un produit retourné qui s'avère conforme aux spécifications.
- Aucun recours ne sera proposé pour une garantie non enregistrée comme indiqué ci-dessous.

LIMITATION DE RESPONSABILITÉ :

LA VOLLRATH COMPANY LLC NE POURRA ÊTRE TENUE POUR RESPONSABLE DE DOMMAGES INDIRECTS OU ACCESSOIRES DE TOUTE SORTE, SUR LA BASE D'UNE NÉGLIGENCE OU AUTRE DÉLIT CIVIL, VIOLATION DE GARANTIE OU TOUT AUTRE PRINCIPE.



PROCÉDURE DE GARANTIE

Pour tous les appels de service sous garantie, la procédure et les informations suivantes sont obligatoires :

- Toutes les demandes sous garantie commenceront par un appel à l'assistance technique Vollrath (800-628-0832).
- Un professionnel de l'assistance technique essaiera de diagnostiquer le problème et fournira des détails sur la marche à suivre.
- Numéro de la personne qui appelle
- Adresse, ville et code postal
- Numéros de modèle et de série
- Date et justificatif (reçu) d'achat
- Nom du revendeur chez qui l'appareil a été acheté

REMARQUE : Vollrath n'acceptera pas les produits envoyés si la procédure correcte n'a pas été suivie.

Important :

POUR FAIRE UNE DEMANDE SOUS GARANTIE, VOUS DEVEZ ENREGISTRER VOTRE GARANTIE.

ENREGISTREZ VOTRE GARANTIE AUJOURD'HUI

EN LIGNE : Enregistrez votre produit en ligne sans attendre sur www.Vollrathco.com

PAS D'ACCÈS AU WEB : Si vous n'avez pas accès au Web, enregistrez-la en remplissant le formulaire d'enregistrement à envoyer par fax au bureau Vollrath Co. LLC du pays d'achat.

ENREGISTREMENT DE LA GARANTIE			
NOM DE L'ENTREPRISE			
NOM DU PRINCIPAL CONTACT		COURRIEL	
ADRESSE			
VILLE	PROVINCE	CODE POSTAL	
PAYS	TÉLÉPHONE	FAX	
MODEL	NUMÉRO D'ARTICLE		
NUMÉRO DE SÉRIE			
TYPE DE L'ENTREPRISE			
<input type="checkbox"/> Restaurant à service limité	<input type="checkbox"/> Restaurant à service complet	<input type="checkbox"/> Bars et tavernes	<input type="checkbox"/> Supermarché
<input type="checkbox"/> Libre-service	<input type="checkbox"/> Divertissement	<input type="checkbox"/> Hôtel/hébergement	<input type="checkbox"/> Companies aériennes
<input type="checkbox"/> Entreprises/industrie	<input type="checkbox"/> Écoles primaires/secondaires	<input type="checkbox"/> Universités	<input type="checkbox"/> Hôpitaux
<input type="checkbox"/> Soins au long cours	<input type="checkbox"/> Maison de repos	<input type="checkbox"/> Armée	<input type="checkbox"/> Prisons
MOTIF DE SÉLECTION DE NOTRE PRODUIT			
<input type="checkbox"/> Apparence	<input type="checkbox"/> Restaurant à service complet	<input type="checkbox"/> Disponibilités	<input type="checkbox"/> Recomman. du vendeur
<input type="checkbox"/> Libre-service	<input type="checkbox"/> Divertissement	<input type="checkbox"/> Prix	<input type="checkbox"/> Marque
AIMERIEZ-VOUS RECEVOIR LE CATALOGUE DE NOS GAMMES COMPLÈTES ET RESTER DANS NOTRE FICHER D'ADRESSES ?			<input type="checkbox"/> Oui <input type="checkbox"/> Non



The Vollrath Company, L.L.C.
1236 North 18th Street
Sheboygan, WI 53081-3201
U.S.A.

Services techniques : 800.628.0832
Service fax : 920.459.5462

Service Canada : 800.695.8560

Standard : 800.628.0830
Fax : 800.752.5620

© 2010 The Vollrath Company, L.L.C.

