



Project:

Item Number:

Quantity:

### ONE-PIECE COLOR-CODED NSF THUMB DISHERS



One-Piece Color-Coded NSF Thumb Dishers

#### DESCRIPTION

Vollrath's one-piece, color-coded NSF certified thumb dishers provide perfect portion control in nine bowl sizes.

#### PRODUCT SPECIFICATION: DOMESTIC NSF DISHERS

Dishers to be constructed of a fully color-coded polypropylene handle with component parts to be made from stainless steel. Handle shall have ribbed surface and built-in stopper notch to prevent slippage. Handle equipped with Agion® antimicrobial protection. Handle construction shall be a one-piece design with no crevices to collect water or bacteria. Each size disher to have a different handle color to denote capacity. Bowl dimensions shall be exact to insure consistent capacities within 5%. Capacities must be clearly stamped on the top side of the gear rack for easy identification; disher number to be stamped on the sweep. Dishers must have a limited lifetime warranty. Made in U.S.A. NSF certified.

#### Agency Listings



Due to continued product improvement, please consult [www.vollrathco.com](http://www.vollrathco.com) for current product specifications.

#### MODELS

Item No	Size (Approximate Servings per QT.)	Color
47139	6	White
47140	8	Gray
47141	10	Ivory
47142	12	Green
47143	16	Dark Blue
47144	20	Yellow
47145	24	Red
47146	30	Black
47147	40	Orchid

#### FEATURES

- Molded one-piece handle improves durability, makes cleaning easy and prevents handle from coming apart
- Color-coded handle for no guess size selection
- Coated handles are equipped with Agion® antimicrobial protection for food safety
- Extended grooved handle provides a sure grip for comfortable use
- Stainless steel bowl and components prevent corrosion and insure longer life
- Blade extends beyond bowl to prevent sticking
- Dishwasher safe

**WARRANTY:** All models shown are part of the Jacob's Pride® Collection and feature a Limited Lifetime Warranty. For full warranty details, please refer to the Vollrath Equipment and Smallwares Catalog.

Approvals	Date



Setting the Standard™

[www.vollrathco.com](http://www.vollrathco.com)

The Vollrath Company, L.L.C.  
1236 North 18th Street  
Sheboygan, WI 53081-3201 U.S.A.  
Customer Service: 800.628.0830  
Canada Customer Service: 800.695.8560  
Main Fax: 800.752.5620 or 920.459.6573

Technical Services: 800.628.0832  
Technical Services Fax: 920.459.5462

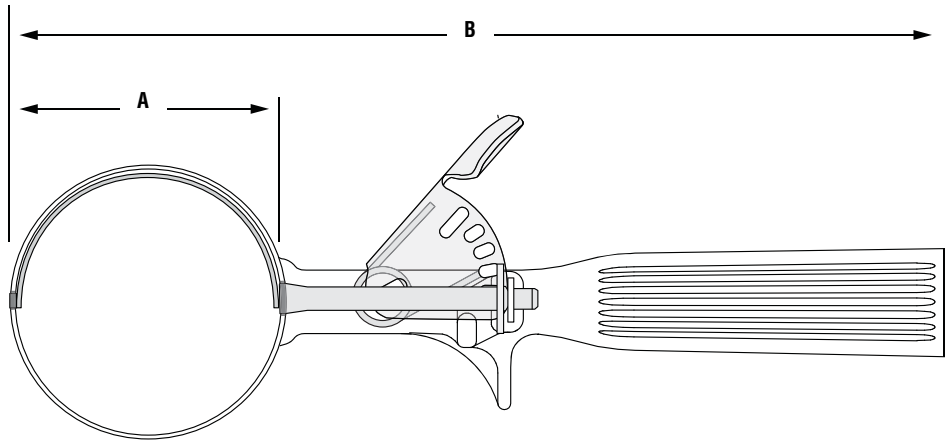
## ONE-PIECE COLOR-CODED NSF THUMB DISHERS

### MODELS

Item No	Size	Color	Item No	Size	Color
47139	6	White	47144	20	Yellow
47140	8	Gray	47145	24	Red
47141	10	Ivory	47146	30	Black
47142	12	Green	47147	40	Orchid
47143	16	Dark Blue			

### DIMENSIONS

Dimensions shown in inches (cm).



### SPECIFICATIONS

Item No.	Color	Size (Approximate Servings per QT.)	Approximate Capacity		Dimensions		Case Lot
			Fluid OZ (ML)	Cup/Teaspoon/Teaspoon	(A) IN (CM)	(B) IN (CM)	
47139	White	6	5½ (157.7)	⅓	3⅛ (7.9)	9⅞ (25)	12
47140	Gray	8	4 (118.3)	½	2⅞ (7.1)	9⅞ (24.3)	12
47141	Ivory	10	3¼ (96.1)	⅔	2⅝ (6.7)	9⅞ (23.8)	12
47142	Green	12	2⅔ (79)	⅓	2⅞ (6.2)	9⅞ (23.3)	12
47143	Dark Blue	16	2 (59.1)	¼	2⅞ (5.6)	8⅞ (22.8)	12
47144	Yellow	20	1⅞ (48.1)	¾ Tablespoons	2 (5.2)	8¾ (22.3)	12
47145	Red	24	1⅞ (39.4)	8 Teaspoons	1⅞ (4.8)	8⅞ (22)	12
47146	Black	30	1 (29.6)	6 Teaspoons	1¾ (4.4)	8½ (21.6)	12
47147	Orchid	40	¾ (22.2)	4½ Teaspoons	1⅞ (4)	8⅞ (21.1)	12



www.vollrathco.com

The Vollrath Company, L.L.C.  
 1236 North 18th Street  
 Sheboygan, WI 53081-3201 U.S.A.  
 Customer Service: 800.628.0830  
 Canada Customer Service: 800.695.8560  
 Main Fax: 800.752.5620 or 920.459.6573

Technical Services: 800.628.0832  
 Technical Services Fax: 920.459.5462