



Project:

Item Number:

Quantity:

AFFORDABLE PORTABLE™ – 3 AND 4 PAN REFRIGERATED COLD STATION



Affordable Portable™ Refrigerated Cold Station

DESCRIPTION & FEATURES

- Vollrath Affordable Portable™ refrigerated cold stations are constructed of vinyl-clad, 20-gauge carbon steel.
- Foamed-in-place polyurethane foam insulation.
- 1 (2.54 cm) drain makes clean-up easy.
- Standard model includes Buffet breath guard.
- The refrigerated cold stations are available in four versatile colors: granite, walnut woodgrain, black and cherry woodgrain.
- Counters are manufactured from 18-gauge stainless steel.
- Locking casters included.
- **Affordable Portable™ orders cannot be canceled or returned.**

Lighting (requires Buffet breath guard, bulbs not included)

- Factory-installed option
- 120V

AGENCY CERTIFICATIONS



Due to continued product improvement, please consult www.vollrathco.com for current product specifications.

MODELS

| Description | Black | Walnut Woodgrain | Granite | Cherry Woodgrain |
|--|----------|------------------|----------|------------------|
| 3 Pan (46") Cold Food Station Base – 120V | | | | |
| Solid base | R38713 | R38950 | R38733 | R38773 |
| Solid w/lights | R3871346 | R3895046 | R3873346 | R3877346 |
| Open Storage | R38714 | R38951 | R38734 | R38774 |
| Open w/lights | R3871446 | R3895146 | R3873446 | R3877446 |
| Storage w/door | R38715 | R38952 | R38735 | R38775 |
| Storage w/door, w/lights | R3871546 | R3895246 | R3873546 | R3877546 |
| Cafeteria unit ^① | R39713 | R39950 | R39733 | R39773 |
| Cafeteria unit w/open storage ^① | R39714 | R39951 | R39734 | R39774 |
| Cafeteria unit w/storage door ^① | R39715 | R39952 | R39735 | R39775 |
| 4 Pan (60") Cold Food Station Base – 120V | | | | |
| Solid base | R38716 | R38960 | R38736 | R38776 |
| Solid w/lights | R3871660 | R3896060 | R3873660 | R3877660 |
| Open Storage | R38717 | R38961 | R38737 | R38777 |
| Open w/lights | R3871760 | R3896160 | R3873760 | R3877760 |
| Storage w/door | R38718 | R38962 | R38738 | R38778 |
| Storage w/door, w/lights | R3871860 | R3896260 | R3873860 | R3877860 |
| Cafeteria unit ^① | R39716 | R39959 | R39736 | R39776 |
| Cafeteria unit w/open storage ^① | R39717 | R39961 | R39737 | R39777 |
| Cafeteria unit w/storage door ^① | R39718 | R39962 | R39738 | R39778 |

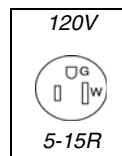
① Includes Cafeteria breath guard with acrylic panel.

ELECTRICAL SPECIFICATIONS

Incandescent lamps only (40W maximum per fixture)

| Description | HP | Volts | Hz | Amps | Electrical Service Amps | Plug |
|-------------------|-----|-------|----|------|-------------------------|-------|
| 3 Pan | 1/5 | 120 | 60 | 3.8 | 15 | 5-15P |
| 4 Pan | 1/4 | | | 5.2 | | 5-15P |
| 3 Pan with Lights | 1/5 | | | 4.4 | | 5-15P |
| 4 Pan with Lights | 1/4 | | | 6 | | 5-15P |

RECEPTACLE CONFIGURATIONS



| | |
|------------------|--------------|
| Approvals | Date: |
| | |

Affordable Portable™ – 3 and 4 Pan Refrigerated Cold Station

The Vollrath Company, L.L.C.



Setting the Standard™

www.vollrathco.com

The Vollrath Company, L.L.C.
 1236 North 18th Street
 Sheboygan, WI 53081-3201 U.S.A.
 Customer Service: 800.628.0830
 Canada Customer Service: 800.695.8560
 Main Fax: 800.752.5620 or 920.459.6573

Technical Services: 800.628.0832
 Technical Services Fax: 920.459.6573



Project:

Item Number:

Quantity:

AFFORDABLE PORTABLE™ – 3 AND 4 PAN REFRIGERATED COLD STATION



Affordable Portable™ Refrigerated Cold Station

DESCRIPTION & FEATURES

- Vollrath Affordable Portable™ refrigerated cold stations are constructed of vinyl-clad, 20-gauge carbon steel.
- Foamed-in-place polyurethane foam insulation.
- 1 (2.54 cm) drain makes clean-up easy.
- Standard model includes Buffet breath guard.
- The refrigerated cold stations are available in four versatile colors: granite, walnut woodgrain, black and cherry woodgrain.
- Counters are manufactured from 18-gauge stainless steel.
- Locking casters included.
- **Affordable Portable™ orders cannot be canceled or returned.**

Lighting (requires Buffet breath guard, bulbs not included)

- Factory-installed option
- 120V

AGENCY CERTIFICATIONS



Due to continued product improvement, please consult www.vollrathco.com for current product specifications.

MODELS

| Description | Black | Walnut Woodgrain | Granite | Cherry Woodgrain |
|--|----------|------------------|----------|------------------|
| 3 Pan (46") Cold Food Station Base – 120V | | | | |
| Solid base | R38713 | R38950 | R38733 | R38773 |
| Solid w/lights | R3871346 | R3895046 | R3873346 | R3877346 |
| Open Storage | R38714 | R38951 | R38734 | R38774 |
| Open w/lights | R3871446 | R3895146 | R3873446 | R3877446 |
| Storage w/door | R38715 | R38952 | R38735 | R38775 |
| Storage w/door, w/lights | R3871546 | R3895246 | R3873546 | R3877546 |
| Cafeteria unit ^① | R39713 | R39950 | R39733 | R39773 |
| Cafeteria unit w/open storage ^① | R39714 | R39951 | R39734 | R39774 |
| Cafeteria unit w/storage door ^① | R39715 | R39952 | R39735 | R39775 |
| 4 Pan (60") Cold Food Station Base – 120V | | | | |
| Solid base | R38716 | R38960 | R38736 | R38776 |
| Solid w/lights | R3871660 | R3896060 | R3873660 | R3877660 |
| Open Storage | R38717 | R38961 | R38737 | R38777 |
| Open w/lights | R3871760 | R3896160 | R3873760 | R3877760 |
| Storage w/door | R38718 | R38962 | R38738 | R38778 |
| Storage w/door, w/lights | R3871860 | R3896260 | R3873860 | R3877860 |
| Cafeteria unit ^① | R39716 | R39959 | R39736 | R39776 |
| Cafeteria unit w/open storage ^① | R39717 | R39961 | R39737 | R39777 |
| Cafeteria unit w/storage door ^① | R39718 | R39962 | R39738 | R39778 |

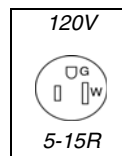
① Includes Cafeteria breath guard with acrylic panel.

ELECTRICAL SPECIFICATIONS

Incandescent lamps only (40W maximum per fixture)

| Description | HP | Volts | Hz | Amps | Electrical Service Amps | Plug |
|-------------------|-----|-------|----|------|-------------------------|-------|
| 3 Pan | 1/5 | 120 | 60 | 3.8 | 15 | 5-15P |
| 4 Pan | 1/4 | | | 5.2 | | 5-15P |
| 3 Pan with Lights | 1/5 | | | 4.4 | | 5-15P |
| 4 Pan with Lights | 1/4 | | | 6 | | 5-15P |

RECEPTACLE CONFIGURATIONS



| | |
|------------------|--------------|
| Approvals | Date: |
| | |



Setting the Standard™

www.vollrathco.com

The Vollrath Company, L.L.C.
 1236 North 18th Street
 Sheboygan, WI 53081-3201 U.S.A.
 Customer Service: 800.628.0830
 Canada Customer Service: 800.695.8560
 Main Fax: 800.752.5620 or 920.459.6573

Technical Services: 800.628.0832
 Technical Services Fax: 920.459.6573

Affordable Portable™ – 3 and 4 Pan Refrigerated Cold Station

The Vollrath Company, L.L.C.

AFFORDABLE PORTABLE™ – 3 AND 4 PAN REFRIGERATED COLD STATION

ACCESSORIES AND ADD-ONS

Cashier Station

- Stable stainless steel work surface
- Wide enough for almost any register or terminal
- Open base and bottom shelf for extra storage
- Cash drawer not available
- Unit depth: 24" (61 cm)



| Description | Dimensions (LxH) | Black | Walnut Woodgrain | Granite | Cherry Woodgrain |
|-----------------|------------------------|-------|------------------|---------|------------------|
| | Inches (CM) | | | | |
| Cashier Station | 24 x 35 (60.9 x 89) | 38700 | 38905 | 38720 | 38760 |

Plate Rests

- Stainless steel
- Designed for Affordable Portable™ only
- Non-folding plate rests are easily removed to allow serving units to be transported through doorways.
- Surface width: 7" (17.8 cm)



| Item | Description | Case Lot |
|---------|---|----------|
| NF38992 | 24" (61 cm) plate rest with mounting kit | 1 |
| NF38993 | 46" (117 cm) plate rest with mounting kit | 1 |
| NF38994 | 60" (152 cm) plate rest with mounting kit | 1 |

Tray Slides

- 300 series stainless steel
- Non-folding tray slides are easily removed to allow serving units to be transported through doorways.
- Overall width: 11½" (29.2 cm)
- Tray surface: 11" (27.9 cm)



| Item | Description | Case Lot |
|---------|--|----------|
| NF39924 | Fits 24" (61 cm) Affordable Portable™ | 1 |
| NF39946 | Fits 46" (117 cm) Affordable Portable™ | 1 |
| NF39960 | Fits 60" (152 cm) Affordable Portable™ | 1 |

Cutting Boards

- Polyethylene
- Non-folding cutting boards are easily removed to allow serving units to be transported through doorways.
- Surface width: 7" (17.8 cm)



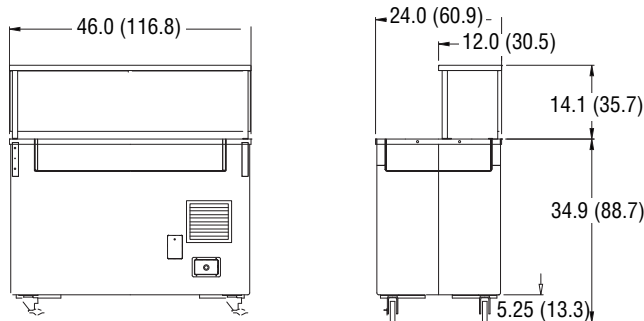
| Item | Description | Case Lot |
|---------|--|----------|
| NF39824 | Fits 24" (61 cm) Affordable Portable™ | 1 |
| NF39846 | Fits 46" (117 cm) Affordable Portable™ | 1 |
| NF39860 | Fits 60" (152 cm) Affordable Portable™ | 1 |

STORAGE OPENING DIMENSIONS

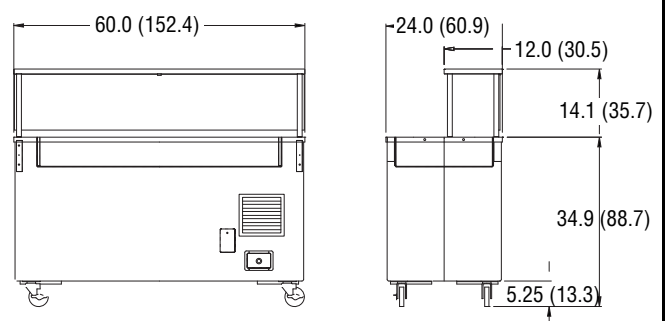
| Description | Dimensions (L x W x H): IN (CM) |
|-------------|---------------------------------|
| 60" Unit | 50 x 23 x 16½ (127 x 58 x 42) |
| 46" Unit | 36 x 23 x 16½ (91.5 x 58 x 42) |

DIMENSIONS

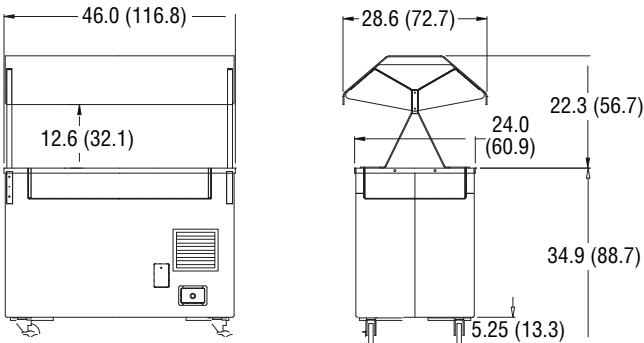
3 Pan Refrigerated Cold Station with Cafeteria Breath Guard



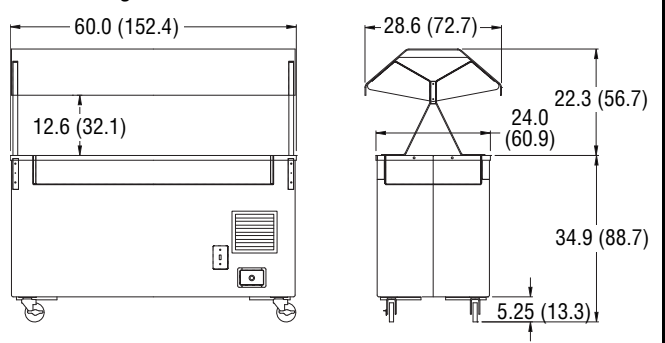
4 Pan Refrigerated Cold Station with Cafeteria Breath Guard



3 Pan Refrigerated Cold Station with Buffet Breath Guard



4 Pan Refrigerated Cold Station with Buffet Breath Guard



The Vollrath Company, L.L.C.
 1236 North 18th Street
 Sheboygan, WI 53081-3201 U.S.A.
 Customer Service: 800.628.0830
 Canada Customer Service: 800.695.8560
 Main Fax: 800.752.5620 or 920.459.6573

Technical Services: 800.628.0832
 Technical Services Fax: 920.459.6573