



Outperform every day.™

Project:

Item Number:

Quantity:

Medium-Duty Electric Slicers

The Vollrath Company, L.L.C.

MEDIUM-DUTY ELECTRIC SLICERS



40950



40951

Medium-Duty Electric Slicers

DESCRIPTION

The Vollrath Medium-Duty Electric Slicers are available with either a 10" or 12" blade. They are ideal for slicing meats in medium-volume operations and small restaurants.

ITEMS

Item No.	Model No.	Description
40950	SLM250/S	10" Medium-Duty Slicer, 25°
40951	SLM300P/S	12" Medium-Duty Slicer, 25°

FEATURES

- QuanTanium® coated non-stick plate increases glide performance and reduces clean-up time
- Built-in sharpener
- 25 degree gravity feed maximizes productivity by reducing operator fatigue and discomfort
- Safety hand guard mounted to the carriage
- Safety cover under the motor
- Hard coated anodized aluminum body
- Non-marking, non-skid rubber feet
- Belt driven. Durable, long-wearing belt provides reliable service.
- Slice adjustment knob for precise and consistent slice thickness
- Removable carriage for easy cleaning
- 6'4" (1.9 m) cord with plug

40950

- 1/3 peak HP motor
- 10" blade
- Space-saving design with small footprint
- Easy to carry for catering needs

40951

- 2/5 peak HP motor
- 12" blade
- Permanent blade rim guard for safety
- Great cutting capacity within a compact footprint

ACCESSORIES

- 40898 - 10" safe blade removal tool, fits 40950
- 40893 - 12" safe blade removal tool, fits 40951
- 40899 - Carriage handle for Quebec, fits 40950 and 40951

Warranty

1 year on parts, 1 year on labor and 5 years on the belt. See Vollrath.com for full warranty details.

Agency Listings



Certified to NSF/ANSI 8

Due to continued product improvement, please consult www.vollrath.com for current product specifications.

Approvals	Date



Outperform every day.™
www.vollrath.com

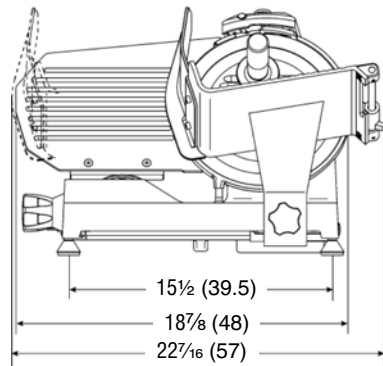
The Vollrath Company, L.L.C.
1236 North 18th Street
Sheboygan, WI 53081-3201 U.S.A.
Main Tel: 800.624.2051 or 920.457.4851
Main Fax: 800.752.5620 or 920.459.6573
Customer Service: 800.628.0830
Canada Customer Service: 800.695.8560

Technical Services
techservicereps@vollrathco.com
Induction Products: 800.825.6036
Countertop Warming Products:
800.354.1970
All Other Products: 800.628.0832

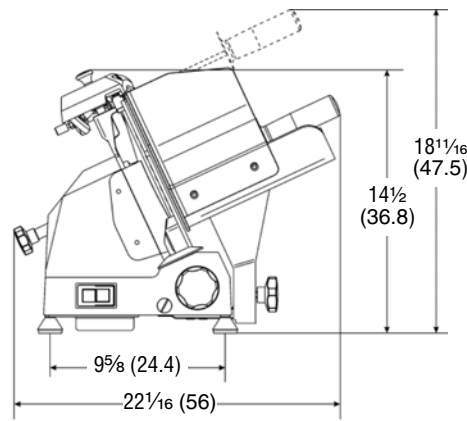
MEDIUM-DUTY ELECTRIC SLICERS

DIMENSIONS (Shown in inches (cm))

40950

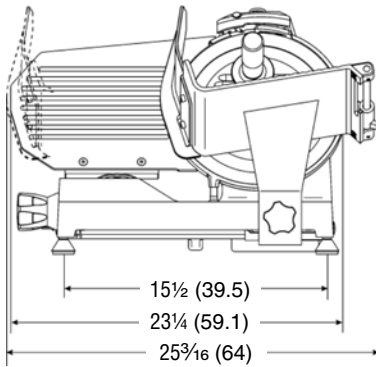


Side View

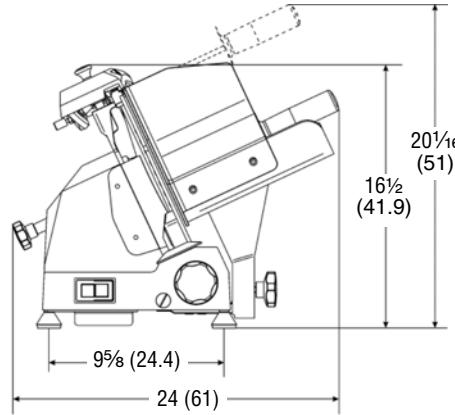


Front View

40951



Side View

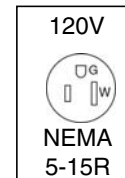


Front View

SPECIFICATIONS

Item	Description	Peak HP	Voltage	Amps	Hertz	Weight Lbs (Kg)	Plug
40950	10" Medium-Duty Slicer, 25°	1/3	120	2.5	60	35 (16)	NEMA
40951	12" Medium-Duty Slicer, 25°	2/5		1.8		45 (20)	5-15P

Receptacle



Outperform every day.™

www.vollrath.com

The Vollrath Company, L.L.C.
 1236 North 18th Street
 Sheboygan, WI 53081-3201 U.S.A.
 Main Tel: 800.624.2051 or 920.457.4851
 Main Fax: 800.752.5620 or 920.459.6573
 Customer Service: 800.628.0830

Technical Services
techservicereps@vollrathco.com
 Induction Products: 800.825.6036
 Countertop Warming Products:
 800.354.1970
 All Other Products: 800.628.0832