



Outperform every day.™

Project:
Item Number:
Quantity:

KNOCK DOWN ACRYLIC BAKERY CASES



KDC1418-2-06



KDC1418-3-06



KDC1418-4F-06

ITEMS

- | | |
|---------------|-------------------------------|
| KDC1418-2-06 | 2 Shelf, Front and Rear Doors |
| KDC1418-3-06 | 3 Shelf, Front and Rear Doors |
| KDC1418-4F-06 | 4 Shelf, Front Doors |
| KDC1418-4R-06 | 4 Shelf, Split Rear Door |

FEATURES

- Clear acrylic
- Trays (14" x 18" (35.6 x 45.7 cm)) are included
- Ships flat and assembles in minutes
- Individual self-serve front doors
- Split rear doors on KDC1418-4R-06 enable quick restocking
- Rubber feet reduce slippage

ACCESSORIES

- TH-1 Tong, holder and tether

DESCRIPTION

Vollrath's Knock Down Acrylic Bakery Cases are available in sizes and door configurations to fit any self-serve or attended serving station.

WARRANTY

All models shown come with Vollrath's standard warranty against defects in materials and workmanship. For full warranty details, please refer to www.Vollrath.com.

Due to continued product improvement, please consult www.vollrath.com for current product specifications.

Approvals	Date



Outperform every day.™

www.vollrath.com

The Vollrath Company, L.L.C.

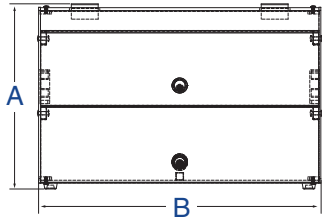
1236 North 18th Street
Sheboygan, WI 53081-3201 U.S.A.
Main Tel: 800.624.2051 or 920.457.4851
Main Fax: 800.752.5620 or 920.459.6573
Customer Service: 800.628.0830
Canada Customer Service: 800.695.8560

Technical Services
techservicereps@vollrathco.com
Induction Products: 800.825.6036
Countertop Warming Products: 800.354.1970
All Other Products: 800.628.0832

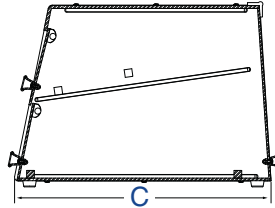
KNOCK DOWN ACRYLIC BAKERY CASES

DIMENSIONS (Shown in inches (cm))

KDC1418-2-06

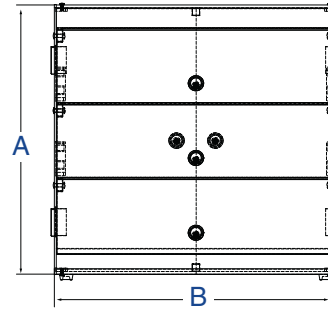


Front View

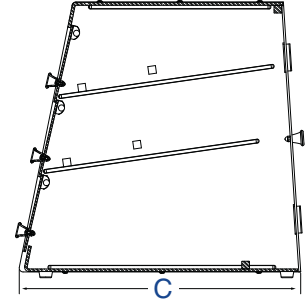


Side View

KDC1418-3-06

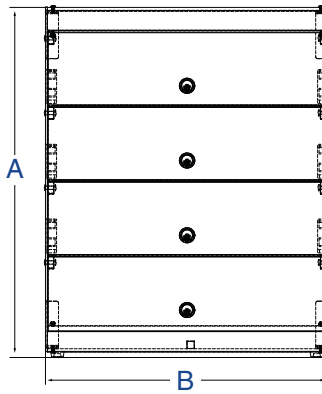


Front View

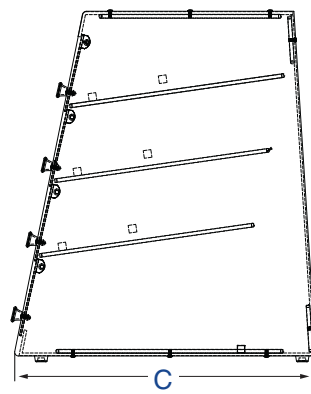


Side View

KDC1418-4F-06

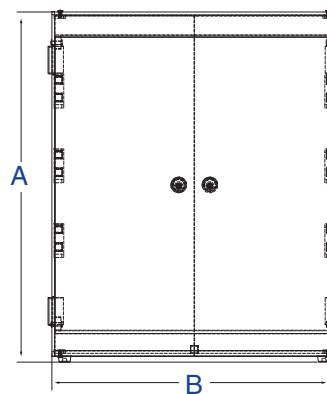


Front View

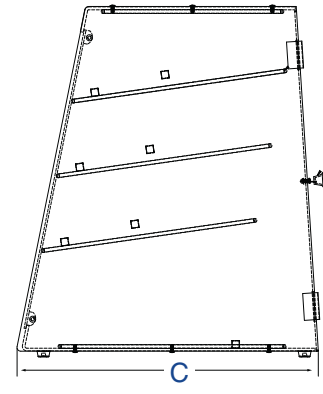


Side View

KDC1418-4R-06



Back View



Side View

Item No.	Description	Dimensions IN (CM)			Trays	Weight LB (KG)
		(A) Height	(B) Width	(C) Depth		
KDC1418-2-06	2 Shelf, Front and Rear Doors	12 (30.5)	18½ (47)	16¾ (42.5)	14 x 18 (35.6 x 45.7)	15 (6.8)
KDC1418-3-06	3 Shelf, Front and Rear Doors	17½ (44.5)		18⅝ (46.5)		19 (8.6)
KDC1418-4F-06	4 Shelf, Front Doors	22¾ (57.8)		19⅝ (49.8)		25 (11.3)
KDC1418-4R-06	4 Shelf, Split Rear Door					



Outperform every day.™

www.vollrath.com

The Vollrath Company, L.L.C.

1236 North 18th Street
 Sheboygan, WI 53081-3201 U.S.A.
 Main Tel: 800.624.2051 or 920.457.4851
 Main Fax: 800.752.5620 or 920.459.6573
 Customer Service: 800.628.0830
 Canada Customer Service: 800.695.8560

Technical Services
techservicereps@vollrathco.com
 Induction Products: 800.825.6036
 Countertop Warming Products: 800.354.1970
 All Other Products: 800.628.0832