



Project:

Item Number:

Quantity:

## CAYENNE® BAIN MARIE DISPLAY CASE



Cayenne® Bain Marie Display Case

### DESCRIPTION

Vollrath's Cayenne® Bain Marie Display Case is a great way to present your food and keep it warm. It has both dry and wet heat functions so it is suitable for all types of foodstuffs.

The Cayenne® Bain Marie Display Case keeps food at the right temperature and humidity. Ideal for enhancing food presentation on buffets, carveries, outside catering and restaurants. Completely portable and easy to transport. The Cayenne® Bain Maire Display Case can also be countersunk.

### MODELS

40732 BMA7103 Cayenne® Bain Marie Display Case

### FEATURES

- Versatile heating element allows well to be used wet or dry
- Rear drain valve for easier end-of-day maintenance
- Engery regulator dial gives reliable temperature control to accomodate a wide range of different foods
- Includes two 12" adaptor bars to divide full-size well spaces
- Double skin stainless steel base reduces heat loss and allows unit to be used either as a drop-in or countertop - cutout dimensions 25" x 41" (63.5 x 104.1 cm)
- Stainless steel top is heated and can be used as a plate warmer
- Sliding glass doors in rear lift out easily for cleaning
- Top-mounted halogen lighting for excellent staging of merchandised food
- 5 ft. (1.5 m) cord and plug – avoid complicated electrical installations

### Agency Listings



Due to continued product improvement, please consult [www.vollrathco.com](http://www.vollrathco.com) for current product specifications.

**WARRANTY:** All models shown come with Vollrath's standard warranty against defects in materials and workmanship. For full warranty details, please refer to the Vollrath Equipment and Smallwares Catalog.

Approvals	Date



[www.vollrathco.com](http://www.vollrathco.com)

The Vollrath Company, L.L.C.  
1236 North 18th Street  
Sheboygan, WI 53081-3201 U.S.A.  
Customer Service: 800.628.0830  
Canada Customer Service: 800.695.8560  
Main Fax: 800.752.5620 or 920.459.6573

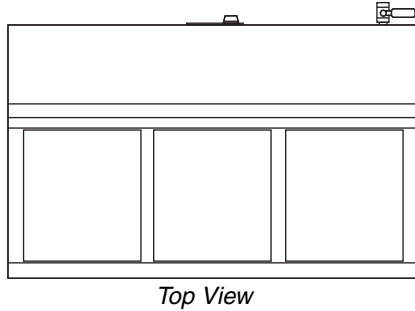
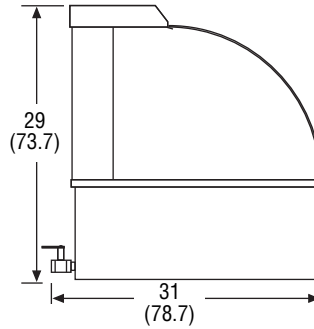
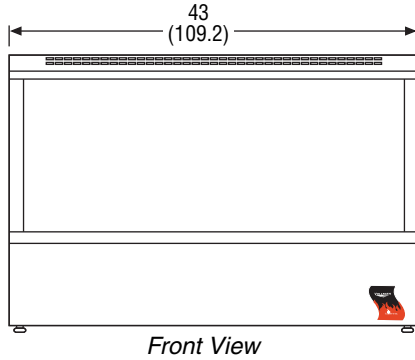
Technical Services: 800.628.0832  
Technical Services Fax: 920.459.5462

# CAYENNE® BAIN MARIE DISPLAY CASE

**MODELS** 40732 BMA7103 Cayenne® Bain Marie Display Case

## DIMENSIONS

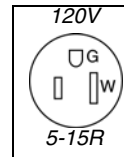
Dimensions shown in inches (cm).



## SPECIFICATIONS

Item	Volts	Watts	Amps	Ship Weight LB (Kg)	Plug
40732	120	1440	12.0	150 (68)	5-15P

### Receptacles



www.vollrathco.com

The Vollrath Company, L.L.C.  
 1236 North 18th Street  
 Sheboygan, WI 53081-3201 U.S.A.  
 Customer Service: 800.628.0830  
 Canada Customer Service: 800.695.8560  
 Main Fax: 800.752.5620 or 920.459.6573

Technical Services: 800.628.0832  
 Technical Services Fax: 920.459.5462