



The Signature of Quality

FEDERAL INDUSTRIES

A Standex Company

215 Federal Avenue
Belleville, Wisconsin 53508-9201

Phone: 800-356-4206

Fax: 608-424-3234

Email: Geninfo@Federalind.com

Website: Federalind.com

Project Name: _____

Item #: _____

Model #: _____ Qty: _____

Approval: _____

AIA #

SIS #

Refrigerated Self-Serve High Profile Dairy Air-Screen 78"H X 40"D X 50"W

Designed for schools to enhance ease of merchandising for K-12 grades while also accommodating sales of other items for higher grades in one attractive package



Shown with optional rear sliding doors and roll down security cover

OPTIONAL ACCESSORIES

- Special External Laminate Finish
- Black Interior (Including Shelving)
- Stainless Steel Exterior Finish
- Stainless Steel Interior
- Additional Lighted LED Shelf (If Using Single Layer Of Milk Crates)
- Additional Shelf Depths
- Roll-down Security Cover - white
- Removable Security Cover
- Reflective End Glass
- Graphic wrap
- Sliding Rear Access Doors (Clear or Reflective)
- Rear door locks

*Additional options available on the website and price list.



WARRANTY*
One year Parts and Labor
2nd thru 5th year part only
service compressor
(U.S.A. and Canada)

Note: Information is subject to change at any time. Visit www.federalind.com for the most current specs.

MODEL	DIMENSIONS (Includes End Panels)
<input type="checkbox"/> LMDM4878SC	49.7 x 40.2 x 78 (in) 1262 x 1021 x 1981 (mm)

STANDARD FEATURES

Model Features

- Choice of six standard laminates on exterior
- Black metal front kick plate and trim with galvanized steel back
- White interior
- Moisture resistant end panel construction with field replaceable tempered thermo-pane glass
- Condenser air filter cleaning indicator light
- Easy to remove washable condenser air filter
- Energy saving night curtain
- Cord and plug
- Recessed casters with rear located floor locks
- Stainless steel slanted display deck to merchandise up to 12 milk crates (13"X13")
- Front access catch pan for broken milk containers

Refrigeration

- Electronic temperature control with on demand defrost
- PTC Condensate heater provided for a totally self-contained system
- Refrigeration controls maintain 35°-38°F (1.6°-3.3°C)
Note: Case temperature will vary if the air curtain is disrupted
- Insulated with high-density urethane foam
- Thermometer
- R449 refrigerant, EPA SNAP compliant

Shelving

- One adjustable white metal shelf with LED light and price tag molding.
- Shelf can be flat or slanted downward at 10°

Lighting

- 3500K LED top and shelf light, DLC certified, IP 65 rated

Agency Approvals

- UL, C-UL and UL Sanitation listed to NSF-7, Type I conditions
- DOE 2017 compliant

AIA #	Refrigerated Self-Serve High Profile Dairy Air-Screen – 78”H X 40”D X 50”W
SIS #	Product Specifications

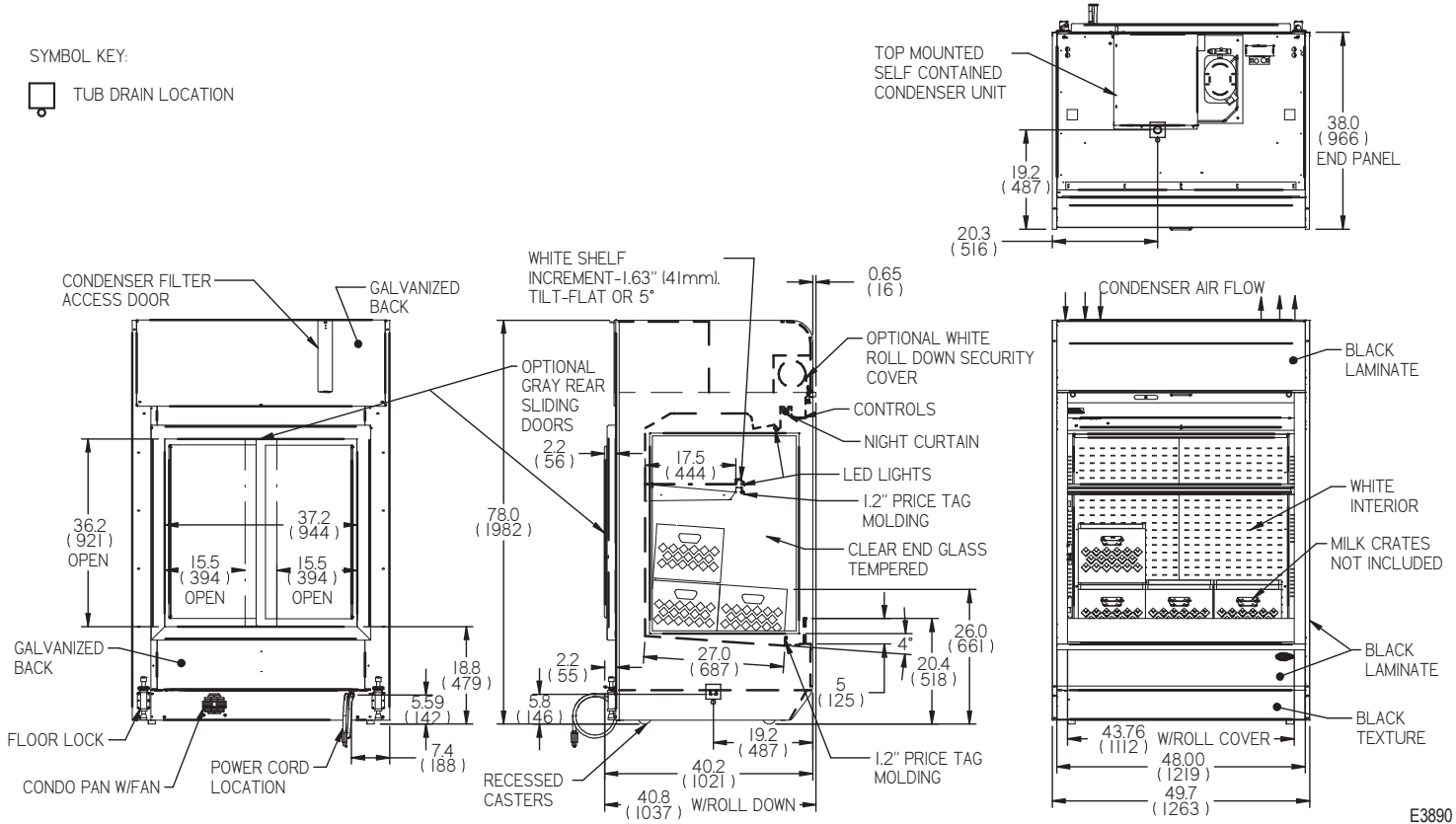
Intended Environment: Type I (Self Contained) - Designed to operate in maximum ambient conditions of 75°F (24°C) and 55% relative humidity.		
Zone	Intended Product To Be Displayed	Avg prod temp °F / °C
All	Packaged Refrigerated Products	35 -38°F / (1.6 - 3.3°C)

DIMENSION: xx"/(mm)

DIMENSION TOLERANCE +/- 0.25(6.4)

SYMBOL KEY:

TUB DRAIN LOCATION



E3890

MODEL	DIMENSIONS				SHELVES	SHIPPING WHT		SELF CONTAINED		NEMA PLUG
	L	D	H	UNITS		LBS	KILO	VOLTAGE	AMPS	CONFIG
LMDM4878SC	49.7	40.2	78	in	1	1150	522	208-240/60/1	MAX FUSE 20	6-20P
	1262	1021	1981	mm						

- Case temperature will vary if the air curtain is disrupted.
- A 208-240 volt, 60 hertz, 1 phase, 2-wire plus ground power supply is required.
- Due to continuing engineering improvements, specifications are subject to change without notice.



FEDERAL INDUSTRIES
 A Standex Company
 215 Federal Avenue, Belleville, Wisconsin 53508-9201

Phone: 800-356-4206
Fax: 608-424-3234
Email: Geninfo@Federalind.com
Website: Federalind.com