



K/D ALUMINUM SHEET PAN RACKS

- **Construction:** Heavy duty, end-loading welded rack. Made from type 6063-T5 ultra-strong aluminum.
- **Efficient Storage:** Economical solution for storage and transport of sheet pans. End-load design for ease of use.
- **Flexibility and Selection:** Fits full and half-size sheet pans. 12 or 20 pan capacity models.
- **Ease of Movement:** 5" (12.7 cm) non-marking polyurethane swivel casters
- **Ease of Assembly:** Minimal parts for fast and easy assembly.
- **Knocked Down Shipping:** Saves freight costs because each unit is shipped knocked down. All parts are packed in one secure carton.

Item No.	Description	Size	Approx Pkd. Wt.	Slide Spacing	Pack
FAKDBR12	K/D end-load aluminum rack - 12 Pan Capacity	20 ^{13/16} " x 26" x 70" h (52.9 x 66.0 x 177.8 cm)	38 lbs.	5" (12.7 cm)	1
FAKDBR20	K/D end-load aluminum rack - 20 Pan Capacity	20 ^{13/16} " x 26" x 70" h (52.9 x 66.0 x 177.8 cm)	45 lbs.	3" (7.6 cm)	1

Click here to buy now!

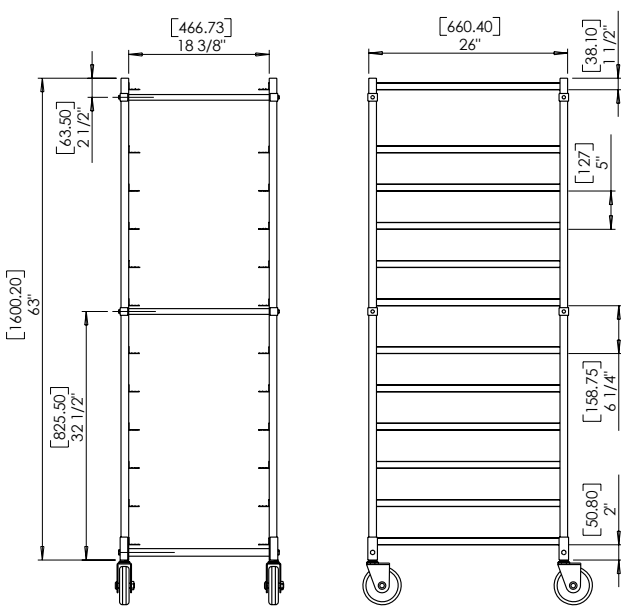
Central[®]
RESTAURANT PRODUCTS

1-866-285-1252

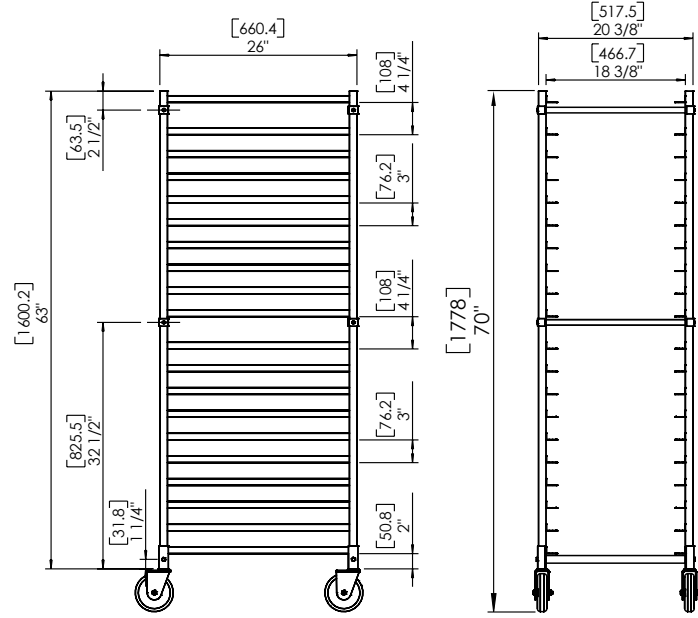
K/D ALUMINUM SHEET PAN RACKS

Job _____

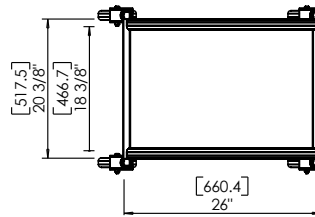
K/D Aluminum Sheet Pan Racks



FAKDBR12 12 Pan K/D Rack



FAKDBR20 20 Pan K/D Rack



Nylon Cover for Full Size Bakery Racks

- **Ease of Use:** 3 zippers for convenient and easy removal and placement of cover over rack.
- **Versatile:** Can be used for end and front load sheet pan racks. Approved for use in dry storage, coolers and freezers without cracking.
- **Durable:** 12 mil thickness for long service life.

Item #	Width / Length / Height		Pack
	(in)	(cm)	
FBRCNF	24" x 28.5" x 62.5"	61.0 x 72.4 x 158.8	12