

Merchandise Display Stands Double & Single

Equipment Guide

- ✓ MEDIUM DUTY USE
- ✓ EXPRESS SHIP

- Highlights your products with maximum visibility.
- Enhances customer impulse buying.
- Elevates products above the ground allowing the area underneath to be cleaned for more sanitary conditions.
- Protects your product, and costs less than a case of merchandise.
- All welded, plated, heavy duty, steel wire.
- Nests for storage and freight savings.

Highlights products and merchandise in aisle.



Use multiple units the length of the aisle to increase impulse sales.



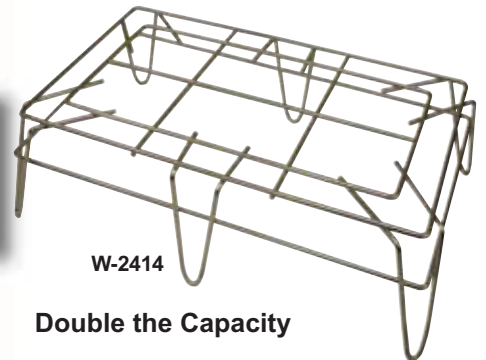
W-1014



Model Number	Order#	Overall Dimensions						Capacity		Approx. Ship Wt	
		Width		Length		Height		(lb)	(kg)	(lb)	(kg)
		(in)	(mm)	(in)	(mm)	(in)	(mm)				
W-1014	108231	10	254	14	356	8	203	500	227	5	2
W-2414	624366	14	356	24	610	8	203	500	227	8	4



Freight Class: 125



W-2414

Double the Capacity

Mobile Display Merchandiser

Equipment Guide

- ✓ MEDIUM DUTY USE
- ✓ LIFE WARRANTY AGAINST RUST
- ✓ NSF

- Versatile Mobile Display, designed to display a wide variety of merchandise-baked goods, produce, plates, etc.
- Constructed of all welded, sanitary, rustproof, 1" square aluminum tubing. Four tier, unit has 12" between shelves, holds eight 18" x 26" trays.
- Maneuvers easily on four 5" polyurethane swivel casters.

Model Number	Order#	Overall Dimensions						Approx. Ship Weight	
		Width		Length		Height		(lb)	(kg)
		(in)	(mm)	(in)	(mm)	(in)	(mm)		
AVT-4-2637 / PU	187961	26½	673	37	940	40¼	1,022	36	16
Caster Information									
738A	128784	Swivel Stem Caster with 5" x 1¼" Polyurethane Wheel							
738ABK	204185	Swivel Stem Caster with 5" Polyurethane Wheel with Brake							
7112	122180	5" x 1¼" Polyurethane Wheel							

Freight Class: 250



Trays available on Page 116

UPS and the UPS brandmark are trademarks that are used with permission by the owner, United Parcel Service of America, Inc. All rights reserved.



Merchandise Display Stands Double & Single

Equipment Guide

- ✓ MEDIUM DUTY USE
- ✓ EXPRESS SHIP

- Highlights your products with maximum visibility.
- Enhances customer impulse buying.
- Elevates products above the ground allowing the area underneath to be cleaned for more sanitary conditions.
- Protects your product, and costs less than a case of merchandise.
- All welded, plated, heavy duty, steel wire.
- Nests for storage and freight savings.



W-1014

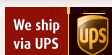
Highlights products and merchandise in aisle.



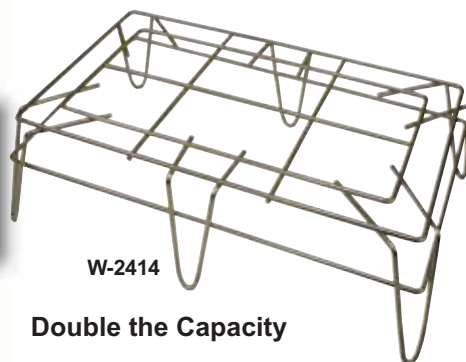
Use multiple units the length of the aisle to increase impulse sales.



Model Number	Order#	Overall Dimensions						Capacity		Approx. Ship Wt	
		Width		Length		Height		(lb)	(kg)	(lb)	(kg)
		(in)	(mm)	(in)	(mm)	(in)	(mm)				
W-1014	108231	10	254	14	356	8	203	500	227	5	2
W-2414	624366	14	356	24	610	8	203	500	227	8	4



Freight Class: 125



W-2414

Double the Capacity

Mobile Display Merchandiser

Equipment Guide

- ✓ MEDIUM DUTY USE
- ✓ LIFE WARRANTY AGAINST RUST
- ✓ NSF

- Versatile Mobile Display, designed to display a wide variety of merchandise-baked goods, produce, plates, etc.
- Constructed of all welded, sanitary, rustproof, 1" square aluminum tubing. Four tier, unit has 12" between shelves, holds eight 18" x 26" trays.
- Maneuvers easily on four 5" polyurethane swivel casters.



Trays available on Page 116

Model Number	Order#	Overall Dimensions						Approx. Ship Weight	
		Width		Length		Height		(lb)	(kg)
		(in)	(mm)	(in)	(mm)	(in)	(mm)		
AVT-4-2637 / PU	187961	26½	673	37	940	40¼	1,022	36	16
Caster Information									
738A	128784	Swivel Stem Caster with 5" x 1¼" Polyurethane Wheel							
738ABK	204185	Swivel Stem Caster with 5" Polyurethane Wheel with Brake							
7112	122180	5" x 1¼" Polyurethane Wheel							

Freight Class: 250

UPS and the UPS brandmark are trademarks that are used with permission by the owner, United Parcel Service of America, Inc. All rights reserved.

