

AutoFoam with LumeCel™ Technology offers an effective skin care system that is now more efficient and alkaline battery free.

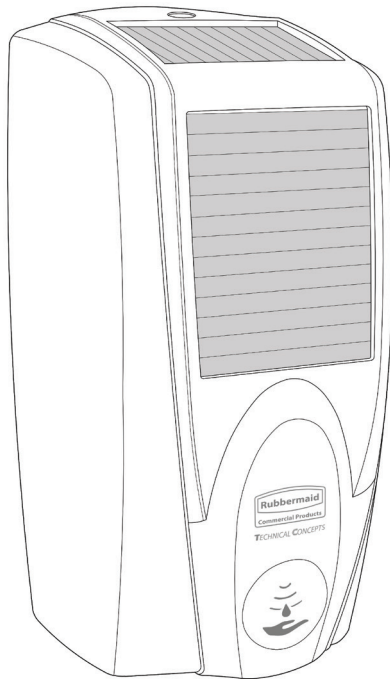
Features and Benefits:

- LumeCel's™ rechargeable energy cells are made from nickel metal hydride technology. Highly efficient, LumeCel™ stores energy from light, providing it's own internal energy source. Easy to use, ready for use, right out of the box.
- Saves time and money by eliminating the need to purchase, store, replace and dispose of alkaline batteries.
- LUX Detector: two modes make installation easy. Install Mode detects and confirms room lighting. Run Mode keeps your dispenser running efficiently.
- Converting your existing AutoFoam System to utilize LumeCel™ technology is possible by removing the existing AutoFoam front cover and batteries, and replacing with a new LumeCel™ retrofit cover and the LumeCel™ rechargeable energy cell. The retrofit cover includes a new AutoFoam cover with solar panels, a new pouch holder, a new LUX Detector, and the LumeCel™ rechargeable energy cell.
- Available in 5 different colors.

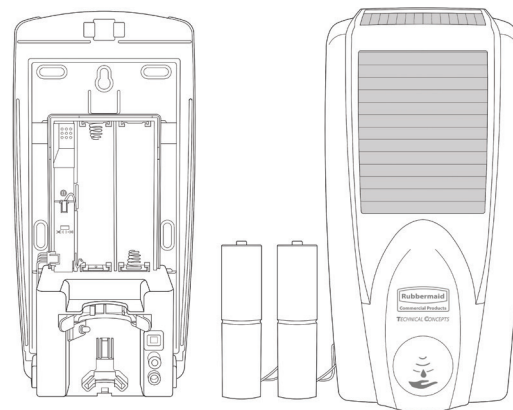
Certifications:

-  • The Green Dot signifies that the manufacturer of the product contributes to the cost of recovery and recycling.
-  • The universal recycling symbol is an internationally recognized symbol used to designate recyclable materials.
-  • The CE mark is the manufacturer's declaration that the product meets the requirements of the applicable EC directives.
-  • Directive on Waste Electrical and Electronic Equipment (WEEE). The WEEE symbol, indicates a separate collection for WEEE - Waste of electrical and electronic equipment, consists of the crossed-out wheeled bin, as shown.

AUTOFOAM TOUCH-FREE DISPENSING SYSTEM POWERED BY LIGHT



LumeCel™
TECHNOLOGY



Retrofit Cover



3-Year Limited Warranty

See rubbermaidcommercial.com for details.

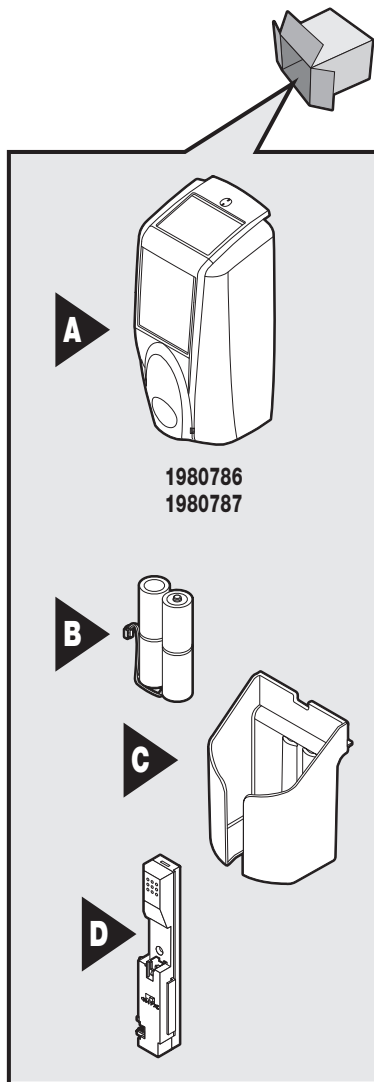
AutoFoam with LumeCel™ Technology

DESCRIPTION	DISPENSER	RETROFIT COVER
Color	Black/Chrome, Black/Grey Pearl, White/Grey Pearl, Black/Black Pearl, White/Black Pearl	Black/Chrome
Product weight (lb)	2.63	0.96
Ship wt/ ctn (lb)	33.60	23.60
Product dimensions (in)	5.51 x 5.51 x 11.22	5.51 x 5.51 x 11.22
Carton dimensions (in)	5.88 x 5.88 x 12.00	5.88 x 5.88 x 12.00
Pack Size	10	10

Technical Data Sheet

AUTOFOAM GOING FROM OLD TO NEW

Retrofitting current dispenser:

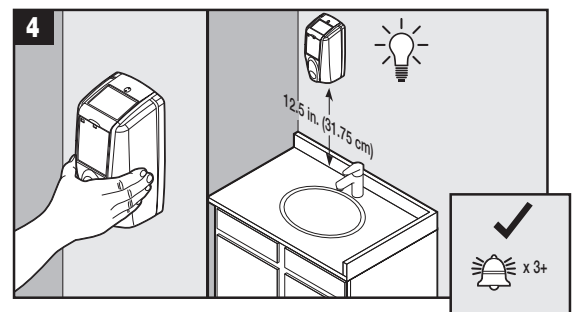


Note: Product availability varies by region

Remarque : la disponibilité des produits varie selon les régions

Nota: la disponibilidad de los productos depende de la región.

WHERE TO INSTALL



LUX Detector Installation Requirement:
3 consecutive beeps, pause and repeat.

IDEAL ENVIRONMENTS

Works well in all washrooms with the proper lighting levels, but especially recommended for use in:

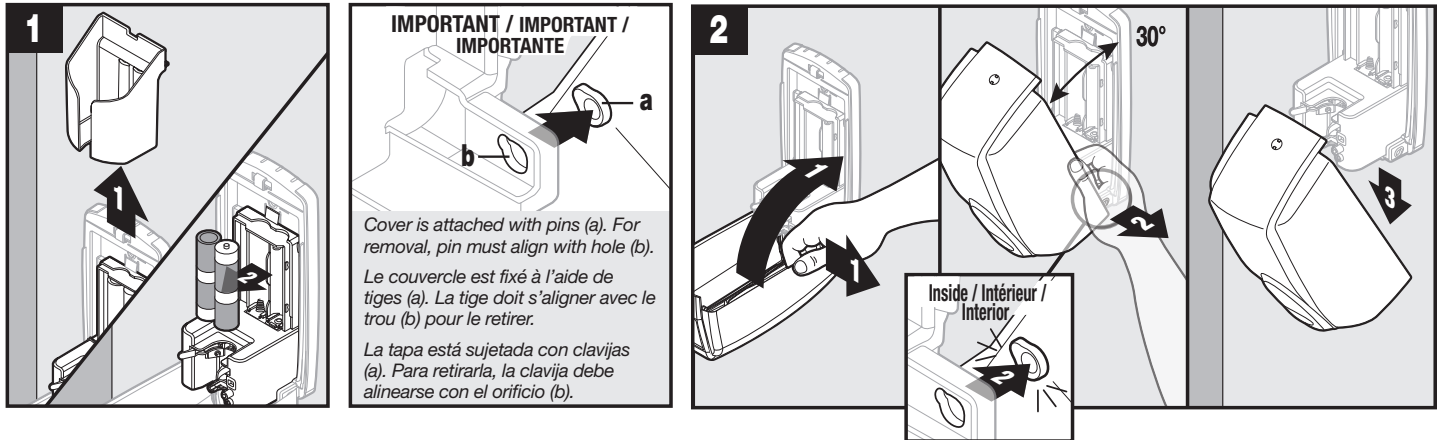
- Property Management
- Hospitality
- Healthcare
- Institution

Other suggested environments include:

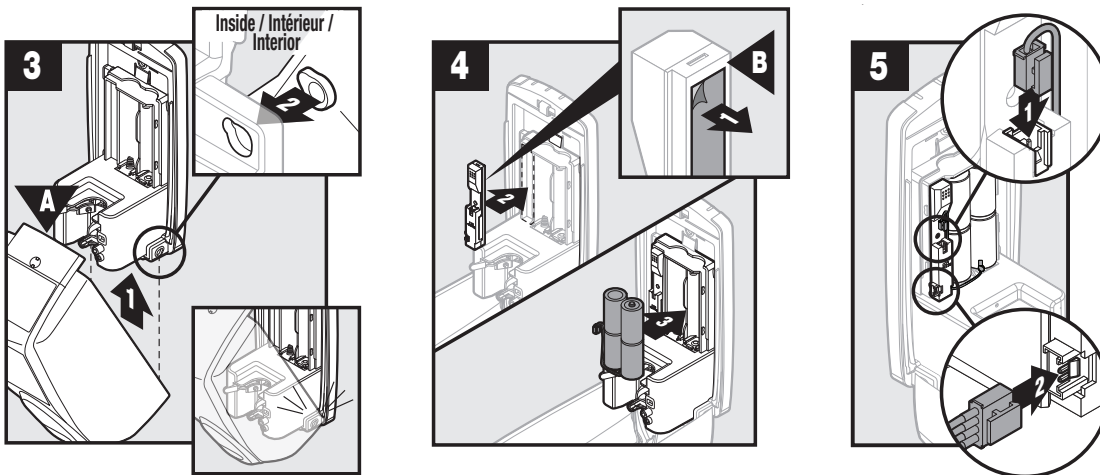
- Entertainment
- Transportation
- Retail
- Foodservice
- Manufacturing

Technical Data Sheet

RETROFIT INSTRUCTIONS



- 1) **Simultaneously** pull out side of cover and rotate up until 2) notched pin pops out of hole.
1) Retirez **simultanément** le côté du couvercle et faites-le pivoter jusqu'à ce que 2) la tige sorte du trou.
1) **Simultáneamente** tire de un lado de la tapa y gire hacia arriba hasta que 2) la clavija dentada salga del orificio.



- 6) Flip Lux Detector switch right to "Install Mode" to measure lighting.
6) Remettre le commutateur du détecteur de luminescence au « Mode installation » pour mesurer le degré de luminescence.
6) Voltee el interruptor del detector de lux hacia la derecha para colocarlo en el modo "Instalación" y medir la iluminación.
- 7a) If 3 beeps or more are heard, flip the switch left back to "Run Mode" and continue to "Refill Installation".
7a) Si 3 bips et plus sont entendus, remettre le commutateur à « Mode fonctionnement » et continuer vers « Installation de la recharge ».
7a) Si escucha 3 pitidos o más, vuelva a colocar el interruptor hacia la izquierda en el modo "Ejecución" y pase a "Instalación para recambio".

- 7b) If 3 beeps or more are not heard, remounting is necessary in an area with more light. Begin at step 4 of "Preparation" section and then complete the "Screw Mount" and "Refill Installation" sections.
7b) Si 3 bips ou plus sont entendus, il est nécessaire de réinstaller celui-ci dans un endroit plus éclairé. Commencez à l'étape 4 de la section « Préparation », puis complétez les sections « Fixation » et « Installation de la recharge ».
7b) Si no escucha 3 pitidos o más, deberá volver a montarse el dispositivo en una zona más iluminada. Comience por el paso 4 de la sección "Preparación" y, a continuación, lleve a cabo las secciones "Soporte de tornillos" e "Instalación para recambio".