

 **General Information**

Project Name: \_\_\_\_\_

Consultant: \_\_\_\_\_

Item #: \_\_\_\_\_

Model #: \_\_\_\_\_

Quantity: \_\_\_\_\_



Shown w/  
Solid Doors



Custom Model  
Shown w/  
Glass Doors

 **Specifications**

**AC** Model Accessory Cabinets are constructed of heavy duty non-magnetic 18GA type 300 stainless steel with a polished finished. Shelves have a solid flanged front and are adjustable. All accessories and options are stainless steel and the unit is NSF approved.

Optional Mirrored Cabinet features a mirrored door and shelves inside for storage. This cabinet can be used at sinks or for accessories in kitchens, bathrooms, schools, etc. Standard cabinet has no mirror.

 **Product Guide**

IMC Accessory Cabinets are designed for sanitary, carefree use.

The cabinet mounts directly on the wall and is particularly suitable to store small accessories and secure items in an easily accessible lockable location.

Mirrored doors allow kitchen personnel to ensure sanitary appearance/attire during food handling. A lock box attachment provides a separate location for Chef's secure accessories.

Rugged stainless steel construction, engineered for high volume use and years of service.

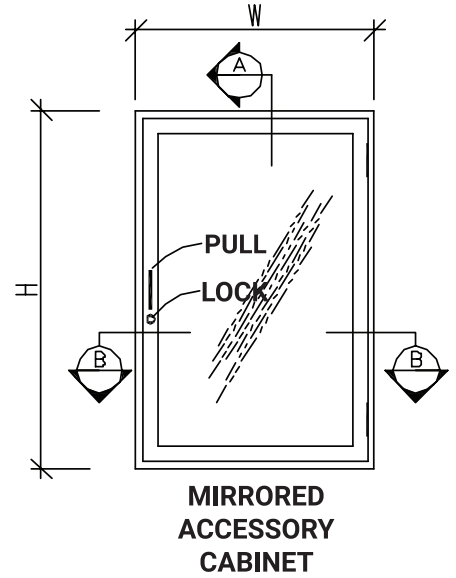
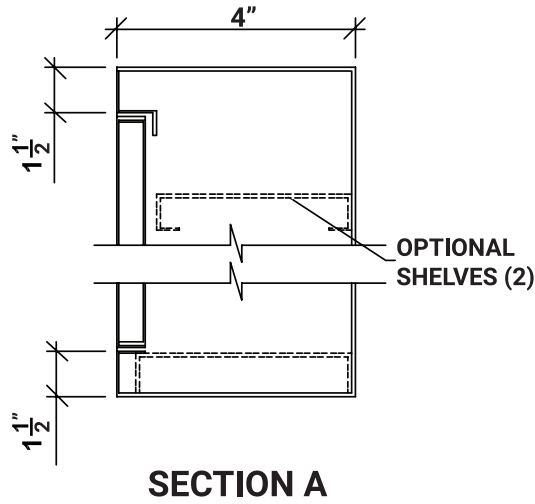
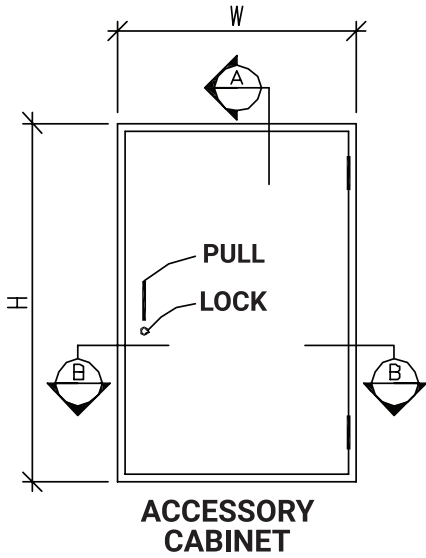
 **Options**

- DRL** - Door Lock
- ACMRD** - Mirrored Doors
- ACS2** - Extra Shelf
- ACLU** - Lockable Under Box
- KEY** - Replacement Keys
- Custom Sizes





**DRAWINGS**



**ACCESSORY CABINET STANDARD DEPTH/DESIGN**

Model	Size (W x L)	Model	Size (W x L)	Model	Size (W x L)
□ AC-1826	18" x 26"	□ AC-2426	24" x 24"	□ AC-3024	30" x 26"
□ AC-1836	18" x 36"	□ AC-2436	24" x 36"	□ AC-3036	30" x 36"
□ AC-1842	18" x 42"	□ AC-2442	24" x 42"	□ AC-3042	30" x 42"

Specifications subject to change without notice.

AC-70 0919