

## General Information

Project Name: \_\_\_\_\_

Consultant: \_\_\_\_\_

Item #: \_\_\_\_\_

Model #: \_\_\_\_\_

Quantity: \_\_\_\_\_



ADA-WS-2D  
Shown w/ Integral  
Towel Dispenser (ITSD)

ADA-WS-1DX

## Specifications

**ADA-WS** Model Handicap Hand Sink is constructed of 16GA stainless steel type 300 series with integrated backsplash, non-drip marine edges and a large cove corner sink bowl with 1½" waste outlet and an apron with enclosure.

Right hand Model "ITD" - "INTEGRAL" built-in towel dispenser accommodates 9½" multi-fold towels. Removable front enclosure conceals piping and prevents wheelchair damage. Deck mounted ADA Soap Dispenser and ADA wrist-action handle faucet Chicago Model #895-317 or equal are standard.

**ADA-WS-X** - same as above without faucet, integral towel dispenser or soap dispenser.

**ADA-WS-SEC** - Security ADA Wall Sink with Automatic Self-Closing Faucet, T&S #807 or equal, and correctional model apron with front enclosure.

## Product Guide

IMC Hand Sinks are easily cleanable without the use of tools. All corners are coved, and all seams are fully welded and polished.

Large oversize deck provides space for faucet, soap dispenser and integral towel dispenser. High backsplash protects wall and keeps sink sanitary. Large integral apron conceals all plumbing.

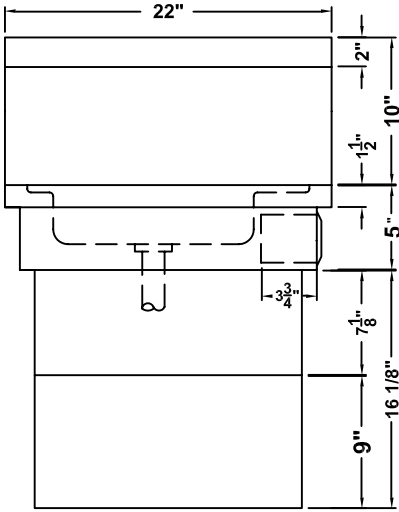
## Options

- SS** - Side Splashes (Pair)
- TWB** - Tubular Wall Brackets
- RSOD** - Rear Sink Overflow Drain
- CBW** - Custom Bowl Size

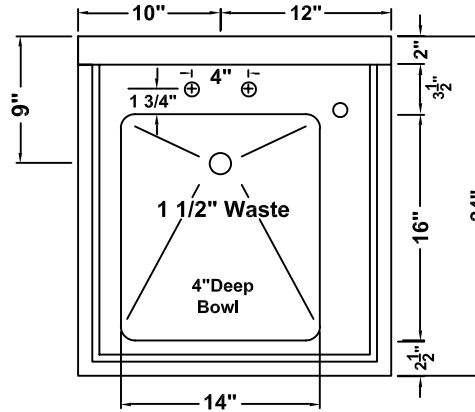


ADA-WS-70 0919

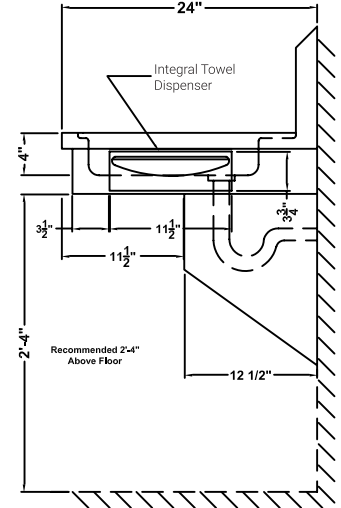
## DRAWINGS



**FRONT ELEVATION**



**PLAN**



**SIDE ELEVATION**

Shown here with Optional  
Integrated Towel Dispenser

### ADA WALL MOUNTED HAND SINK

Sink Only Models	Faucet Mounting	Sink w/ Faucet Models	Overall Size
<input type="checkbox"/> ADA-WS-1DX	1 Hole Deck	<input type="checkbox"/> ADA-WS-1D	24" x 22" x 31 7/8"
<input type="checkbox"/> ADA-WS-1SX	1 Hole Splash	<input type="checkbox"/> ADA-WS-1S	24" x 22" x 31 7/8"
<input type="checkbox"/> ADA-WS-2DX	4" OC Deck	<input type="checkbox"/> ADA-WS-2D	24" x 22" x 31 7/8"
<input type="checkbox"/> ADA-WS-2SX	4" OC Splash	<input type="checkbox"/> ADA-WS-2S	24" x 22" x 31 7/8"

\*Includes soap dispenser

Specifications subject to change without notice.

ADA-WS-70 0919