

STAINLESS STEEL Drop-In Water Stations With Filler Faucets



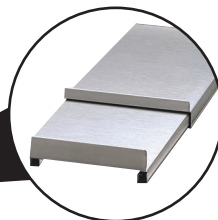
DI-1-9
12" x 14"



D-24-WSIBL
21" x 18"



D-24-WSIBL2
18" x 21"



**Units With Ice Bins Are
Supplied With A Sliding
Stainless Steel Cover**

Item #: _____ Qty #: _____
Model #: _____
Project #: _____

FEATURES:

Includes K-54 deck mount faucet with "Push-back" actuator.
DI-1-9 features removable electro-polished stainless steel grill.
D-24-WSIBL & D-24-WSIBL2:
12" deep insulated ice bin.
Removable grate covers drip pan.
Rubber thermal breaker to reduce condensation.
Supplied with stainless steel sliding cover.

MECHANICAL:

1" IPS drain (drip pan and ice bin)
Filler faucet has a cold connection with 1/2" IPS
Faucet meets federal lead free standards.

MATERIAL:

Jacket: 20 gauge galvanized steel
Ice Bin: 20 gauge, 300 stainless steel
Cover: 20 gauge stainless steel (D-24-WSIBL and D-24-WSIBL2 only)
Molding: Extruded black polyethylene thermal breaker marine edge
Insulation: 2lbs. density foam-in-place insulation
K-54 Faucet: Acrylic lever arm

OPTIONAL:

D-12: Replacement sliding stainless steel cover

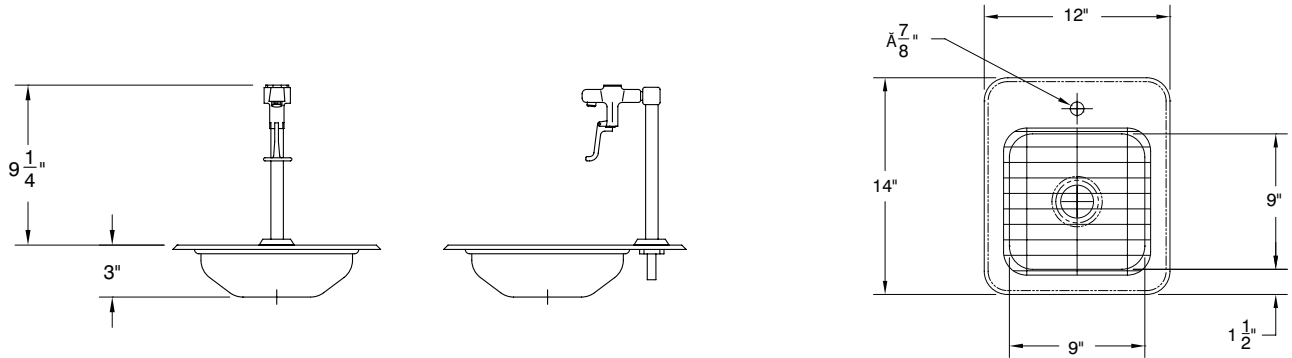
Model #	Description	Outside Dimensions	Cut-Out Size	Ice Capacity	Approx. Weight	Approx. Cu. Ft.
DI-1-9	Water Station	12" x 14"	11 1/4" x 13 1/4"	N/A	15 lbs.	3
D-24-WSIBL	Water Station w/ Ice Bin	21" x 18"	20 5/8" x 15 1/4"	23 lbs.	30 lbs.	5
D-24-WSIBL2	Water Station w/ Ice Bin	18" x 21"	15 1/4" x 20 5/8"	50 lbs.	47 lbs.	5

DIMENSIONS and SPECIFICATIONS

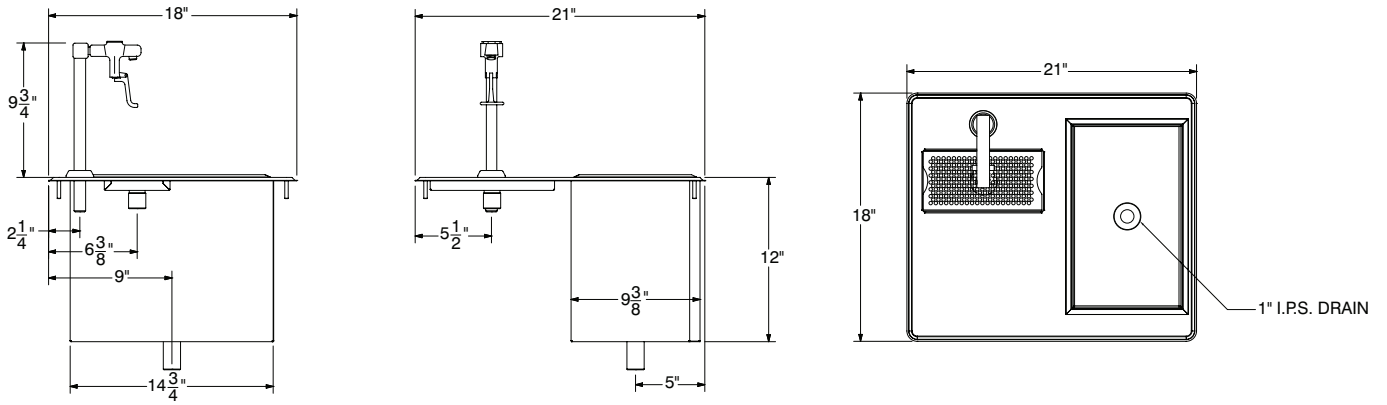
TOL Overall: $\pm .500"$ Interior: $\pm .250"$

ALL DIMENSIONS ARE TYPICAL

DI-1-9



D-24-WSIBL



D-24-WSIBL2

