



**FRONT LOADING  
PAPER TOWEL DISPENSER UNITS**



**Optional A.D.A. Compliant Bubbler can be added to the 7-PS-25, 7-PS-26 & 7-PS-75 Only Use Model # K-47**

**Item #:** \_\_\_\_\_ **Qty #:** \_\_\_\_\_  
**Model #:** \_\_\_\_\_  
**Project #:** \_\_\_\_\_

**FEATURES:**

One piece **Deep Drawn** sink bowl design.  
Sink bowl is 16" x 14" x 5".  
All sink bowls have a large liberal radii with a minimum dimension of 2" and are rectangular in design for increased capacity.  
Keyhole wall mount bracket.  
1 1/2" stainless steel drain with strainer plate.

**Additional Specific Features:**

- 7-PS-25** 6" Extended deck mounted gooseneck faucet with wrist handles & deck mounted liquid soap dispenser.
- 7-PS-26** includes a "Hands Free" AC/DC operated gooseneck faucet & deck mounted, liquid soap dispenser.
- 7-PS-75** Sink Only. Faucet not included. Three 1-3/8" dia. Holes Punched.
- 7-PS-41** includes a "Hands Free" AC/DC operated gooseneck faucet & deck mounted, liquid soap dispenser.  
Front loading paper towel dispenser (Standard C-Fold Towels).  
Stainless Steel Skirt with Removable Access Panel and enclosed bottom for storage. Optional **TA-14** lock available.
- 7-PS-46** 6" Extended splash mounted gooseneck faucet with wrist handles & deck mounted liquid soap dispenser.  
Front loading paper towel dispenser (Standard C-Fold Towels).  
Stainless Steel Skirt with Removable Access Panel and enclosed bottom for storage. Optional **TA-14** lock available.

**CONSTRUCTION:**

All TIG welded.  
Welded areas blended to match adjacent surfaces and to a satin finish.  
Die formed Countertop Edge with a 3/8" No-Drip offset.  
Bowl made from One sheet of stainless steel - No Seams.

**MATERIAL:**

Heavy gauge type 304 series stainless steel.  
Wall mounting bracket is Galvanized and of offset design.  
All fittings are brass / chrome plated unless otherwise indicated.

**MECHANICAL:**

Faucet supply is 1/2" IPS male thread hot and cold.

**Standard Faucet conforms to NSF 61 Standard 9.  
Faucets Are AB1953 Lead Free Compliant.**

For Replacement Faucets & Upgrades, Drains & Accessories visit our website at [www.advancetabco.com](http://www.advancetabco.com)

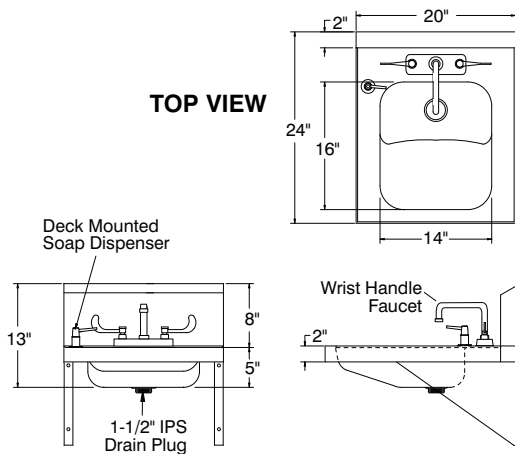
# DIMENSIONS and SPECIFICATIONS

TOL Overall: ± .500" Interior: ± .250"

FITTINGS SUPPLIED AS SHOWN

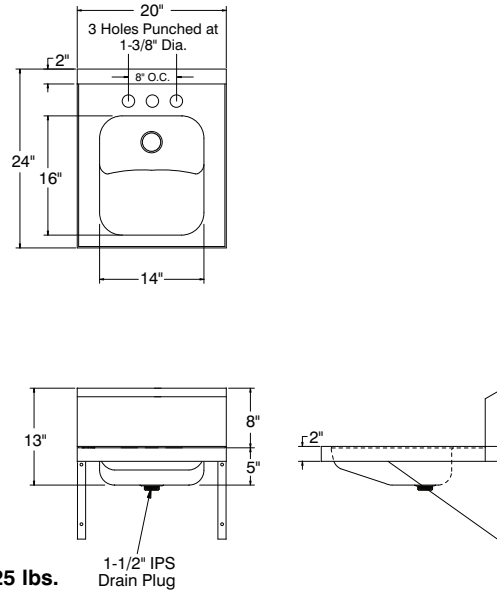
ALL DIMENSIONS ARE TYPICAL

7-PS-25



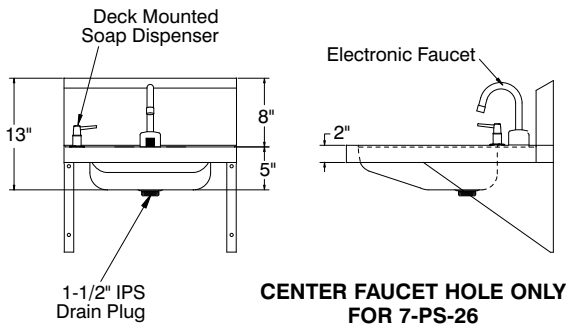
25 lbs.

7-PS-75



25 lbs.

7-PS-26



25 lbs.

**Optional 8" O.C. Faucets Available**

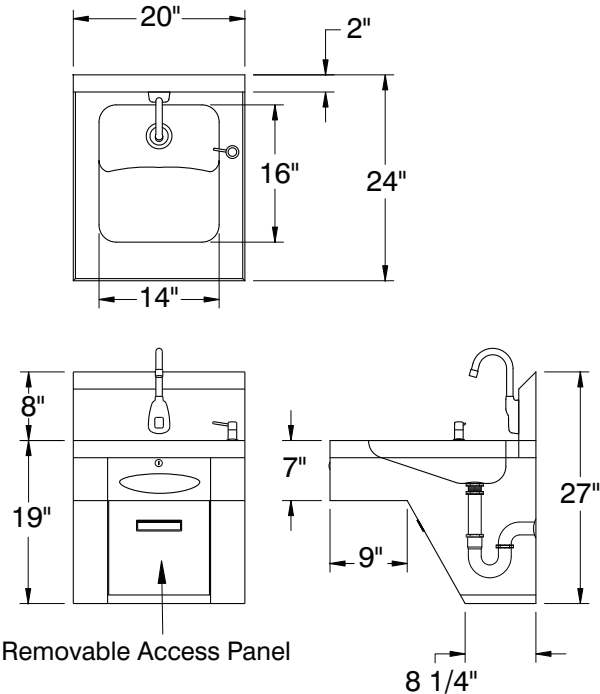
**Heavy Duty  
5-1/2"  
Gooseneck**

K-132

**Heavy Duty  
9" Swing  
Spout**

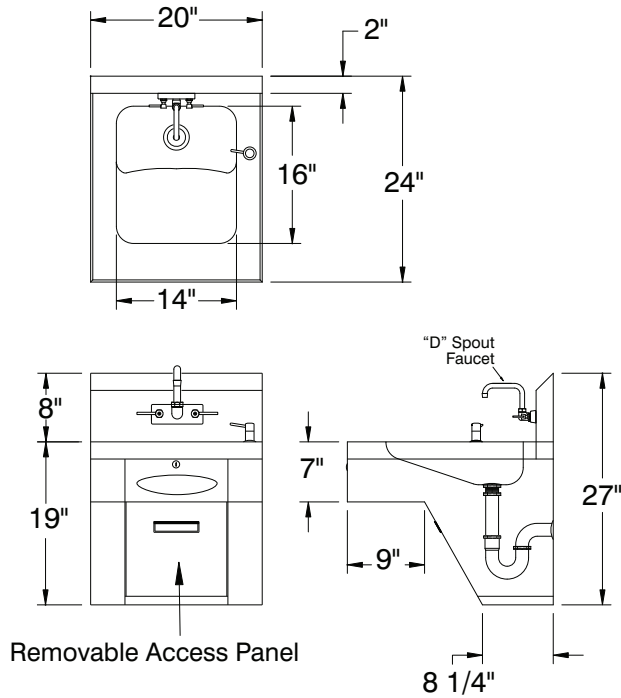
K-133

7-PS-41



43 lbs.

7-PS-46



43 lbs.



ADVANCE TABCO is constantly engaged in a program of improving our products. Therefore, we reserve the right to change specifications without prior notice.