



PORTABLE BAR WITH STAINLESS STEEL WORK TOP



Item #: _____	Qty #: _____
Model #: _____	
Project #: _____	

Designed For Light-Duty Use By Small Hotels, VFW Halls And Catering Facilities

**Custom Colors Available!
(Exterior Only. See below for details)**

FEATURES:

- Stainless Steel Work Top with integral ice bin
- 18" x 20" x 10" deep drawn Ice Bin, complete with drain & shut-off valve
- D-B-7 MODEL:**
- 18" x 20" x 10" deep drawn Ice Bin with 7 Circuit Post Mix Cold Plate. Includes Stainless Steel bottom, complete with drain & shut-off valve
- Dual speed rails to hold up to 10 bottles of liquor
- Single Towel Ring
- Open bottom shelf for glass rack storage
- 4 - 4" Swivel Casters, 2 with brakes

MATERIAL:

- CONSTRUCTION:** Melamine Construction - Organic Compound made with Formaldehyde, black finish
- COUNTERTOP:** Stainless Steel
- CASTERS:** Rubber
- SPEED RAILS:** Stainless Steel

Model #	Size L x W x H	Bar Top Width	Cubic Feet	Weight
D-B	61" x 24.5" x 43.75"	11"	60	310
D-B-7	61" x 24.5" x 43.75"	11"	60	345

Available Accessories

- Three Sided Continuous Bumper - **Model SU-80**
- Custom Mica Colors - **Model SU-81**
- (Custom colors include exterior finishes only (Bar front and sides. Additional charge for bar top. All interiors are standard black finish)



Customer Service Available To Assist You 1-800-645-3166 8:30 am - 8:00 pm E.S.T.

For Orders & Customer Service:
Email: customer@advancetabco.com or Fax: 631-242-6900

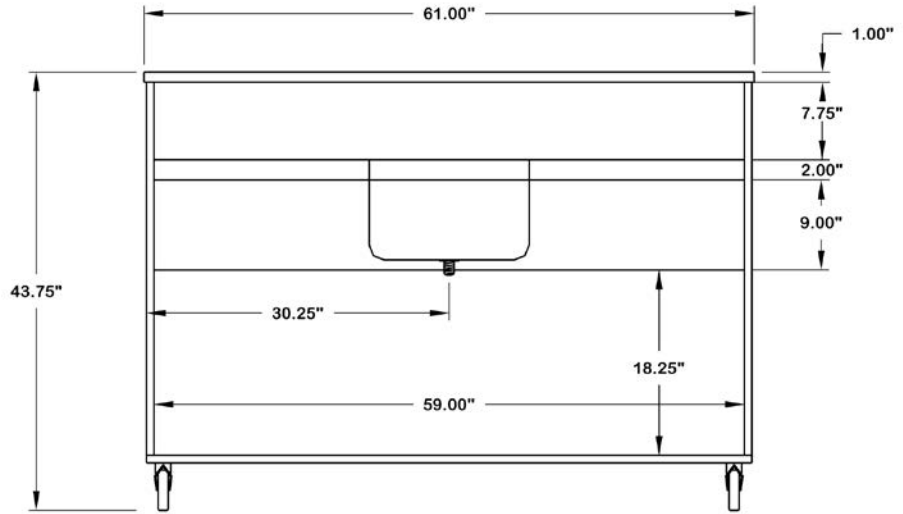
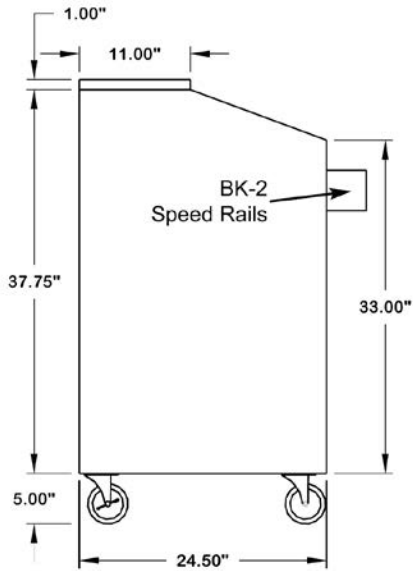
For Smart Fabrication™ Quotes:
Email: smartfab@advancetabco.com or Fax: 631-586-2933

DIMENSIONS and SPECIFICATIONS

TOL ± .125"

ALL DIMENSIONS ARE TYPICAL

D-B SERIES



D-B SERIES WITH 7 CIRCUIT COLD PLATE

