



STAINLESS STEEL

Bar Sink & Ice Bin Combo NSF

18" and 21" Wide Units - Deep Drawn Bowls



SLC Series
18" Wide Units With
Splash Mount Faucets



Item #:	_____	Qty #:	_____
Model #:	_____		
Project #:	_____		



CRC Series
21" Wide Units With
Deck Mount Faucets

**Featuring Deep Drawn
Seamless Bowls**



FEATURES:

- One piece **Deep Drawn** sink bowls measuring 10" x 14" x 10".
- Two embossed and seamless drainboards.
- One 24" x 15" x 8" insulated ice bin on either left or right side.
- Two injection molded plastic bottle racks.
- 4" backsplash.
- Galvanized legs with adjustable plastic bullet feet.
- Adjustable galvanized side cross-bracing.
- Molded apron for extra durability.
- CRB Series** has rear deck for extra storage

MECHANICAL:

- SLC Series*:** Includes 4" O.C., 10" splash mt. swing spout faucet.
- CRC Series*:** Includes 4" O.C., 12" deck mt. swing spout faucet.
- All faucets meet federal lead free standards.**
- Each sink bowl includes 9" high overflow pipe with 1 1/2" IPS drain.
- Ice bin includes 1" IPS drain.

MATERIAL:

- Sink Bowls and Drainboards:** 20 gauge, 300 stainless steel
- Front Apron and Backsplash:** 22 gauge, 300 stainless steel
- Sides:** 20 gauge, 430 stainless steel
- Understructure:** 22 gauge galvaneal front/back; 11 gauge electrogalvaneal leg channel
- Legs:** 1 5/8" O.D. 18 gauge, galvanized steel with adjustable plastic bullet feet
- Ice Bin Insulation:** 2 lbs. density styrofoam

OPTIONAL:

- K-316-LU** - Add wrist handles
- SU-10A** - 18" Stainless steel legs with cross-bracing
- SU-18R or L** - Right or left side splash for 18" wide sinks
- SU-18RL** - Right and left side splash for 18" wide sinks
- SU-21R or L** - Right or left side splash for 21" wide sinks
- SU-21RL** - Right and left side splash for 21" wide sinks
- SU-40** - Prep unit for installation of speed rail
- SU-68** - Omit corrugation on drainboard

	18" WIDE Model #	Approx. Weight	Approx. Cu. Ft.	21" WIDE Model #	Approx. Weight	Approx. Cu. Ft.	O.A. Length (A)	Drbd. Length (B)	Ice Bin Capacity
3 COMP.	SLC-73C-L or R	185 lbs.	23	CRC-73C-L	185 lbs.	28	84"	12" each	54 lbs.
	SLC-83C-L or R	190 lbs.	26	CRC-83C-L	225 lbs.	32	96"	18" each	54 lbs.
4 COMP.	SLC-84C-L* or R*	200 lbs.	26	CRC-84C-L*	225 lbs.	32	96"	12" each	54 lbs.

*4 Comp. Combo Bar Sinks Includes Two 6" Swing Spout Faucets

L And R Indicate Ice Bin Location.



Customer Service Available To Assist You 1-800-645-3166 8:30 am - 8:00 pm E.S.T.

For Orders & Customer Service:
Email: customer@advancetabco.com or Fax: 631-242-6900

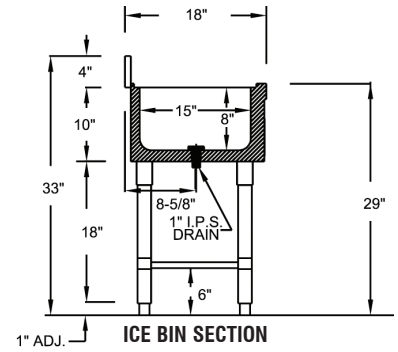
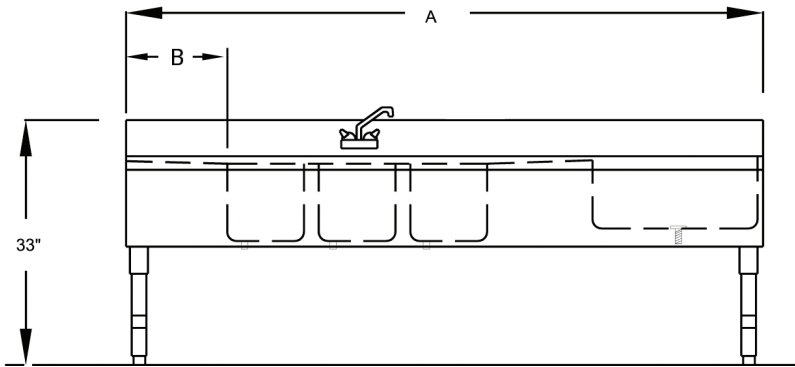
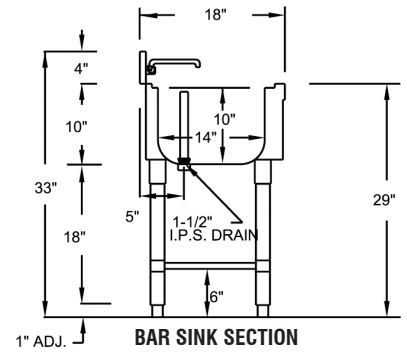
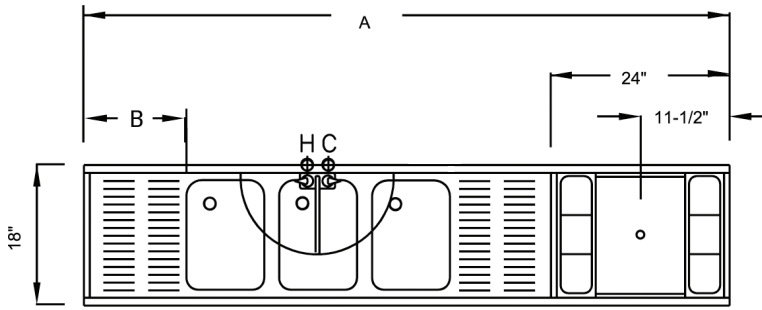
For Smart Fabrication™ Quotes:
Email: smartfab@advancetabco.com or Fax: 631-586-2933

DIMENSIONS and SPECIFICATIONS

TOL Overall: ± .500" Interior: ± .250"

ALL DIMENSIONS ARE TYPICAL

SLC Series



CRC Series

