



STAINLESS STEEL Frozen Drink Machine Stands

Item #: _____ Qty #: _____

Model #: _____

Project #: _____



SCFD-18



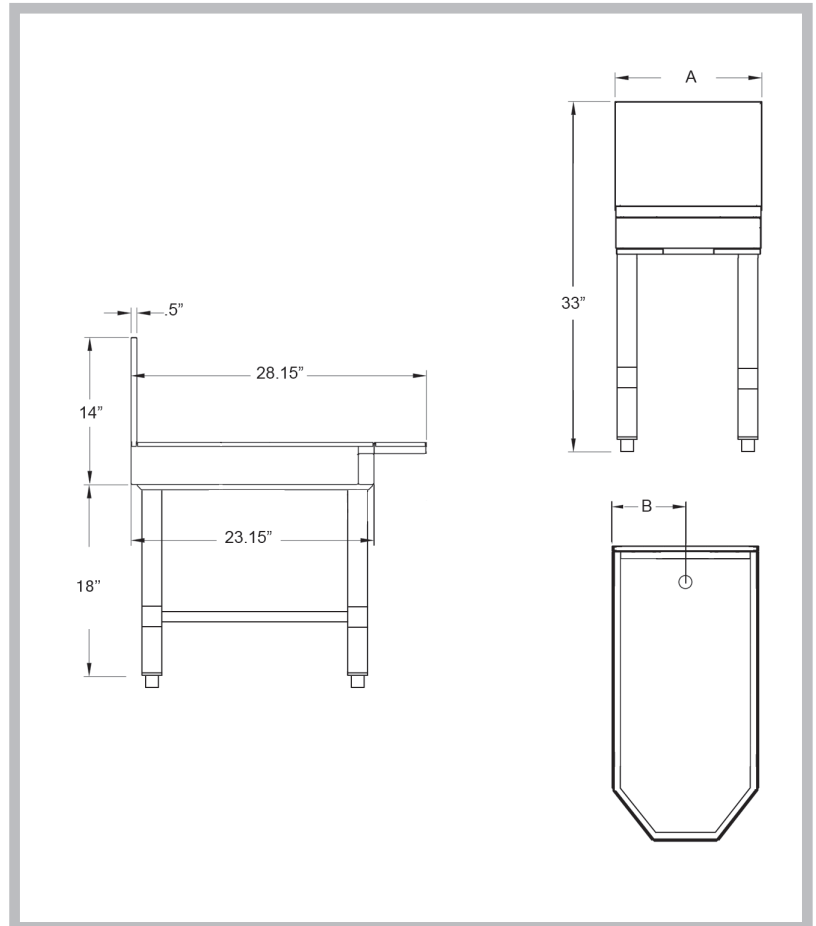
Model #	O.A. Length (A)	Drain Location (B)	Drink Machine Capacity	Approx. Weight	Approx. Cu. Ft.
SCFD-18	18"	9"	1	45 lbs.	10
SCFD-30	30"	15"	2	80 lbs.	18

Size Of Drink Machine Must Be Verified When Ordering.

DETAILS and SPECIFICATIONS

TOL Overall: ± .500" Interior: ± .250"

ALL DIMENSIONS ARE TYPICAL



FEATURES:

Lower working height to accommodate the height of most drink machines for underbar use.

Beveled front.

14" backsplash.

10-1/2" working height.

Drain in the centered in the back of the unit.

Galvanized legs with adjustable plastic bullet feet.

Adjustable galvanized side cross-bracing.

MATERIAL:

20 gauge, 300 stainless steel

Top: 18 gauge, 300 stainless steel

Legs: 1 5/8" O.D. 18 gauge, galvanized steel with adjustable plastic bullet feet

MECHANICAL:

1" IPS drain

OPTIONAL:

SU-10A - 18" stainless steel legs with cross-bracing



Customer Service Available To Assist You 1-800-645-3166 8:30 am - 8:00 pm E.S.T.

For Orders & Customer Service:

Email: customer@advancetabco.com or Fax: 631-242-6900

For Smart Fabrication™ Quotes:

Email: smartfab@advancetabco.com or Fax: 631-586-2933